

SPECIAL NEEDS
COMPUTERS
1-877-724-4922

Frequently asked questions about Andromeda receiver



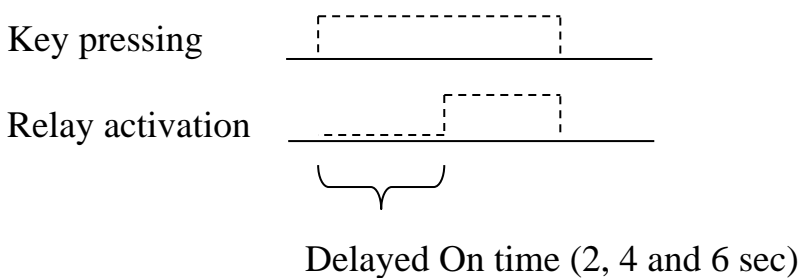
Content

1	FREQUENTLY ASKED QUESTIONS ABOUT ANDROMEDA RECEIVER	3
1.1	How do the different settings work?.....	3
1.2	Which combination of settings is possible to get in Andromeda receiver	4
1.3	I can't learn IR codes to the external detector	5
1.4	Is it possible to use one external detector to two different receivers?.....	6

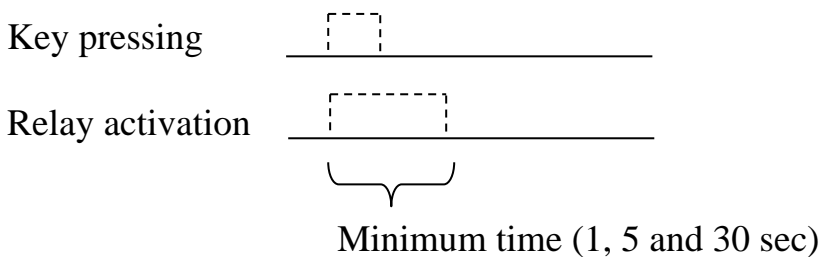
1 Frequently asked questions about Andromeda receiver

1.1 How do the different settings work?

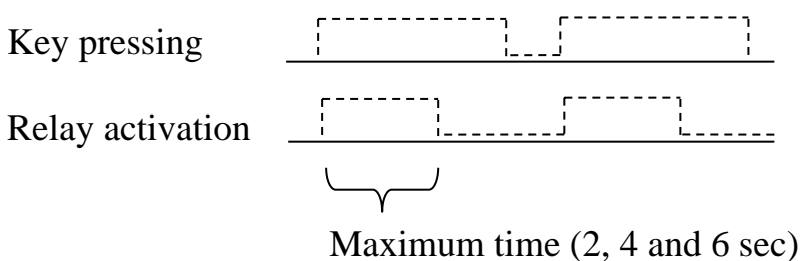
Delayed On time = The time that the key on the IR-transmitter need to be pressed before the relay is activated. Various times can be set.



Minimum time = When sending a short time with the IR transmitter, the relay is activated for a pre-set time after you released the key on the IR transmitter. Various times can be set.



Maximum time = Maximum time the relay is activated, then you have to re-activate the relay with the IR-transmitter. Various times can be set.



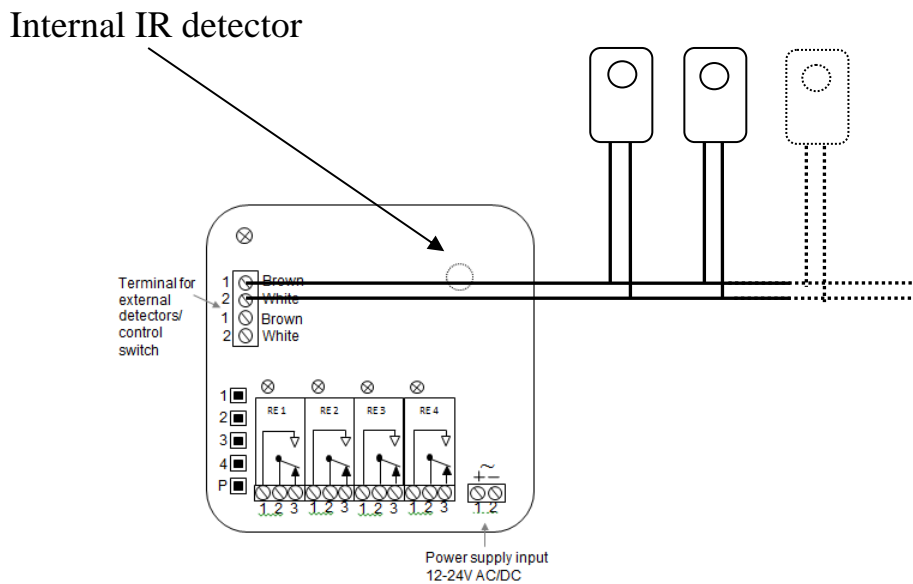
1.2 Which combination of settings is possible to get in Andromeda receiver

	GL 00-127		4096 Code		¹ GewaRadio	
	Mono-stable	Bi-stable	Mono-stable	Bi-stable	Mono-stable	Bi-stable
	OK	OK	OK	OK	² OK	OK
Delayed On time	OK	OK	OK	OK	-	-
Minimum time	OK	-	OK	-	-	-
Maximum time	OK	-	OK	-	-	-
Polycode	³ OK	-	³ OK	-	-	-
Public	OK	-	OK	-	-	-
Delayed On time	⁴ OK	-	⁴ OK	-	-	-
Minimum time						
Delayed On time	OK	-		-	-	-
Maximum time						
Delayed On time	⁵ OK	-	⁵ OK	-	-	-
Polycode						
Delayed On time	OK	-	OK	-	-	-
Public						
Minimum time	⁶ OK		⁶ OK	-	-	-
Maximum time						
Minimum time	OK	-	OK	-		
Polycode						
Minimum time	OK	-	OK	-	-	-
Public						
Maximum time	OK	-	OK	-	-	-
Polycode						
Maximum time	OK	-	OK	-	-	-
Public						
Polycode	-	-	-	-	-	-
Public						

- 1) It is only the four channel receiver which has the function for Gewa Radio (Z-wave).
- 2) Possible if using “Press” and “Release” function in Control Omni.
- 3) Possible to mix GewaLink channels with 4096 code.
- 4) Minimum time is included in the delay time.
- 5) Difficult to combine with delay time.
- 6) Minimum time must be shorter than maximum time.

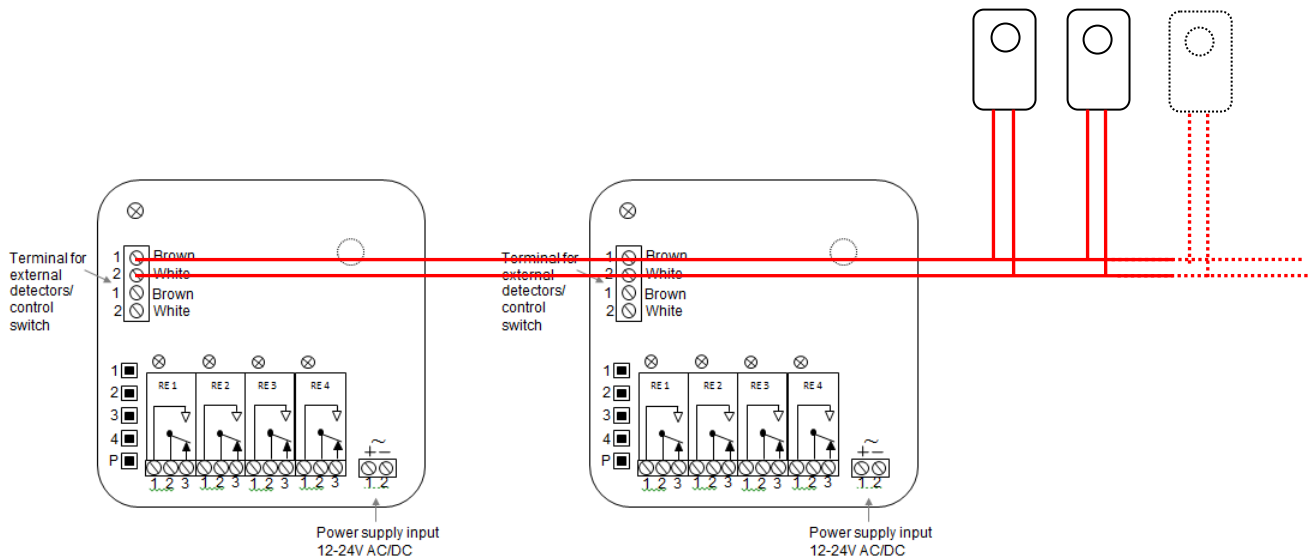
1.3 I can't learn IR codes to the external detector

It is only possible to learn the IR codes via the internal IR detector. The internal IR detector is placed on the main circuit board for Andromeda.



1.4 Is it possible to use one external detector to two different receivers?

Yes, it is possible to connect one detector input on one receiver to next detector input on another receiver. See figure.



Abilia AB, Kung Hans väg 3, Sollentuna, Box 92, 191 22 Sollentuna, Sweden
Phone +46 (0)8-594 694 00 | Fax +46 (0)8-594 694 19 | info@abilia.se | www.abilia.se

8(8)