

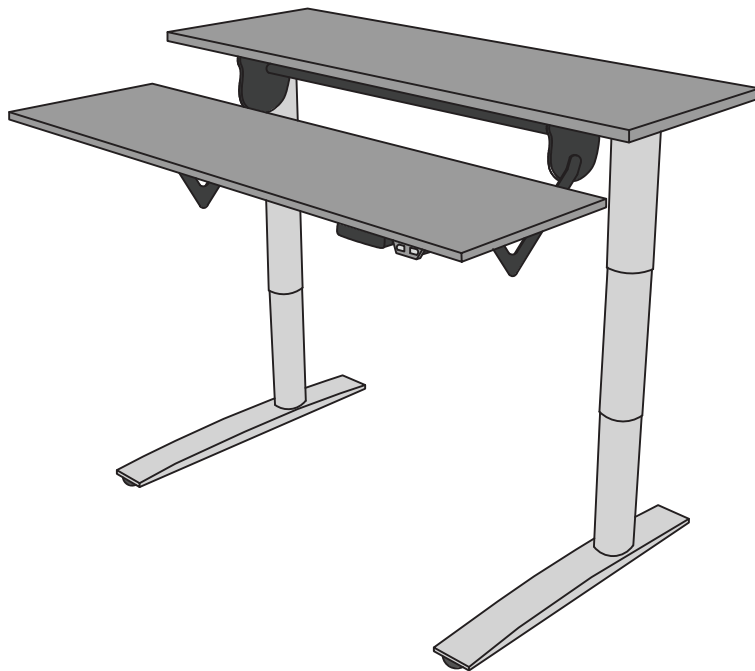


**POPULAS**  
furniture by AD·AS

**SPECIAL NEEDS**  
**COMPUTERS**   
**1-877-724-4922**

**VOX™ TWO STORY**  
Electric, bi-level height adjustable workstation

Computer workstation features smooth, quiet motorized adjustment with extra-low and extra-high height range. The Vox™ series is designed without a cross brace enabling maximum knee space.



**FEATURES:**

- Dual surface workstation with vertical height adjustment provides adjustability for individual positioning or multiple user environments
- Push-button powered rear surface, Lift-N-Lock front surface
- Push-button controls mount on either side
- Infinite height adjustment throughout the specified range
- Durable laminate top

**TECHNICAL DATA:**

- See Chart for standard dimensions
- Powered rear surface vertical adjustment 24" - 50"
- Front surface adjustment range 20" - 57" (4" below, 7" above rear surface), with 15° +/- tilt
- Front surface load 50 lbs
- Rear surface load 265 lbs
- System operates on standard 110V
- Extruded aluminum telescoping legs
- Base Finish Graphite Silver

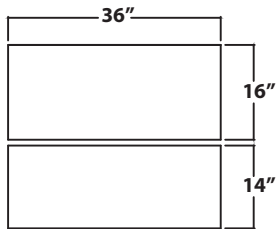
MODEL	FRONT/REAR DIMENSION	OVERALL DIMENSIONS	ADJUSTMENT RANGE	REAR START/END HEIGHT	LEG SPAN
VX 361416 BL	36" X 14" 36" X 16"	36" X 31"	26"	24", 50"	28"
VX 481416 BL	48" X 14" 48" X 16"	48" X 31"	26"	24", 50"	34"
VX 601416 BL	60" X 14" 60" X 16"	60" X 31"	26"	24", 50"	46"



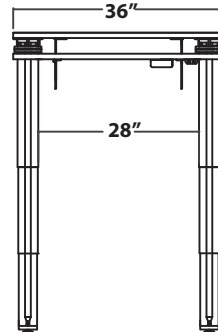
**POPULAS**  
furniture by AD·AS

**VOX TWO STORY**  
Dimension page

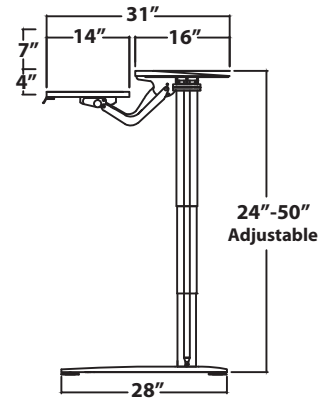
VX 3630



Top View

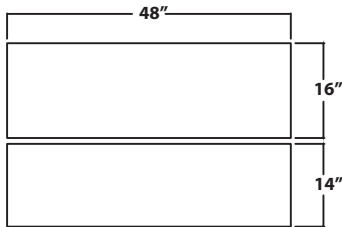


Front View

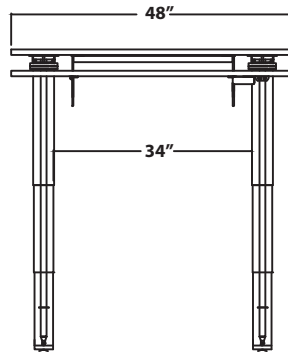


Side View

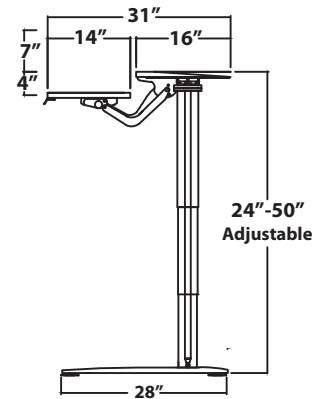
VX 4630



Top View

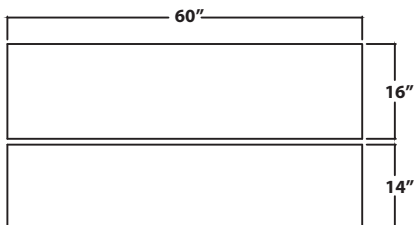


Front View

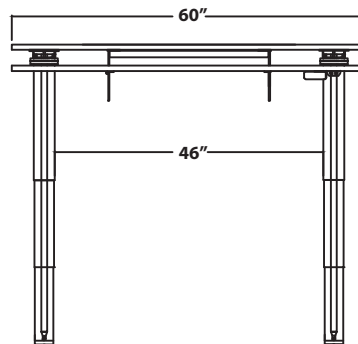


Side View

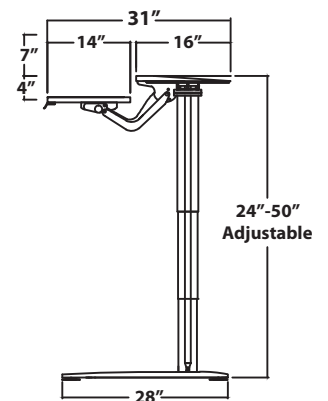
VX 6030



Top View



Front View



Side View