



**SPECIAL NEEDS**  
**COMPUTERS**   
**1-877-724-4922**

# SimplyWorks® INSTRUCTIONS

## TRACKBALL



### Pack Contents

Carefully check the contents of the box, which are:

**SimplyWorks®  
TRACKBALL**

**USB Charging Cable**

**This manual**

SimplyWorks® is the world's first fully integrated wireless system specifically for users with motor skill difficulties.

SimplyWorks® allows you the freedom to create wire-free, single or multi-user learning environments, reducing set up time and allowing you to concentrate on the learning tasks themselves.

The SimplyWorks® TRACKBALL can be used with any SimplyWorks® receiver for computer input.

## Product Description

The SimplyWorks® TRACKBALL uses the latest wireless and optical technologies for interference free operation and silky smooth ball movement.

It also benefits from a built-in lithium ion battery and advanced charging system, making single-use batteries a thing of the past and reducing the total cost of ownership. The unit is charged from any USB socket using the supplied cable and goes many months between charges.

# Features

---

- Works with any SimplyWorks® receiver for computer input.
- Durable optical technology with a large, light touch, ball and silky smooth ball movement.
- State of the art radio link with an interference free operating range exceeding 10 metres.
- Colour coded Left/Right and Drag Lock buttons mounted sub-flush to prevent accidental operation.
- Built-in lithium battery and charger.
- Sockets to operate Left/Right click buttons from remote switches.

## Compatibility

---

Your SimplyWorks® TRACKBALL is compatible with any SimplyWorks® receiver for computer input.

## Charging the Battery

---

Your SimplyWorks® TRACKBALL is fitted with a state-of-the-art lithium ion battery and charger. The unit will operate for many months with a single charge. When the battery charge is getting low, the LED will flash red every few seconds. This is an indication that it's time to charge the battery soon. Locate the supplied charging cable and plug it into the charging port on the rear of the SimplyWorks Trackball and then into a USB socket on a computer or charging plug. The LED lights green to show that charging has started and will be extinguished once fully charged.

Charging a battery that is completely flat takes about four hours and you can continue using the SimplyWorks® TRACKBALL throughout the charging period, even from completely flat. Once fully charged, you may unplug the charging cable.

Should you mislay the charging cable, replacements can be purchased by asking your local electrical retailer for a camera connection lead. It has a USB type A plug at one end and a mini-USB plug at the other.

*Note that SimplyWorks® TRACKBALL plugs into a computer USB port for charging purposes only and no functional connection is made between the two devices.*

## Learn Mode

---

There are a number of settings to allow you to configure SimplyWorks® TRACKBALL to your exact requirements. These are all programmed using Learn Mode and are stored in an internal memory so they are automatically recalled each time you use the unit, even if you swap computers or if the battery goes flat. To make changes to the settings, you must first go into Learn Mode. Press and hold the middle button until a beep is heard. The unit is now in Learn Mode and is able to accept changes to the settings, as follows:

### Cursor Speed

To change the speed setting while in Learn Mode, press the middle button briefly. Each time you do so, the unit emits a beep of rising tone. The higher the tone, the faster the cursor will move. The speed of the cursor changes immediately, allowing you to experiment until the best setting is found. There are 8 speed settings in all and pressing the middle button once the highest speed has been reached makes the unit begin again at the lowest speed.

## Left-Handed Operation

The left and right buttons may be swapped around, which is particularly useful for left-handed users. To change this setting, press the left button while in Learn Mode. One beep indicates the unit is set to standard 'right-handed' mode, whereas two beeps indicates 'left-handed' operation.

## Double Click

Right-click may be substituted with Double-Click, which is useful for users who have difficulty in double-clicking quickly enough for the computer to recognise. To change this setting, press the right button briefly while in Learn Mode. One beep indicates the unit is set to standard 'right-click' mode, whereas two beeps indicates 'Double-Click' operation.

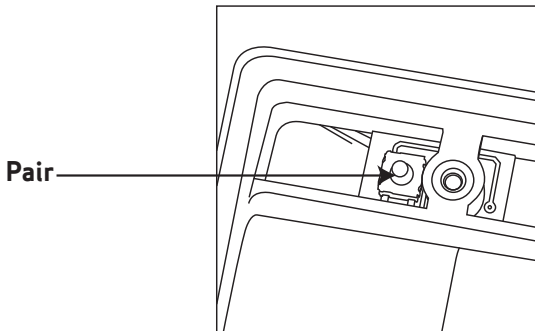
All of the above settings may be changed as often as required while in Learn Mode, allowing you to experiment with the settings until the best configuration is found. Once you are happy with the settings, they may be stored in the unit's memory by pressing and holding the middle button once again, until three beeps are heard. Normal operation then resumes.

*Note that if both left-handed operation and Double-Click are selected, the buttons will function as Double-Click, Drag and Left Click, reading from left to right.*

*Also note that the function of the sockets for external switches reproduces the function of the internal buttons, according to the above settings.*

---

## Pairing



Before you can use your SimplyWorks® TRACKBALL it must be paired with one of the SimplyWorks® receivers (RECEIVE or RECEIVE:2). To pair the units, use the following procedure:

- 1 Remove the cover on the underside of the unit with a screwdriver.
- 2 Place the receiver within 1 metre of your SimplyWorks® TRACKBALL.
- 3 Briefly press the Pair Button on the receiver unit. The Pair LED on the receiver will begin to flash slowly.
- 4 Within 10 seconds, briefly press the Pair Button inside the compartment on the underside of the SimplyWorks® TRACKBALL
- 5 After a short period the Pair LED on the receiver unit will light steadily for 5 seconds indicating pairing is complete. Replace the cover on the underside and secure in place with a screwdriver.
- 6 If the Pair LED stops flashing, and does not light steadily, repeat the procedure from (3). If it is unsuccessful, please refer to the Troubleshooting section.

---

## Maintenance

Your SimplyWorks® TRACKBALL has no user serviceable parts. If repair is necessary the unit should be returned to Pretorian Technologies or an authorised distributor.

# Troubleshooting

If your SimplyWorks® TRACKBALL does not operate correctly, please use the following guide to determine the cause. If, after following this guide, your unit still does not operate, please contact your supplier before returning it.

Symptom	Possible Cause / Remedy
No cursor movement	<ul style="list-style-type: none"><li>• Units are not paired. Following pairing procedure.</li><li>• Battery is flat. Follow charging procedure.</li><li>• Check USB connection to computer.</li></ul>
Cursor movement is erratic or sporadic.	<ul style="list-style-type: none"><li>• Battery may be flat. Follow charging procedure.</li><li>• Out of range - move receiver unit closer to SimplyWorks® TRACKBALL.</li><li>• Interference - place receiver and SimplyWorks® TRACKBALL away from sources of interference.</li></ul>
Units will not Pair- LED on Receiver unit is extinguished after flashing and cursor does not move.	<ul style="list-style-type: none"><li>• Ensure that Trackball is held within one metre (one yard) of Receiver while Pairing.</li><li>• Check battery- charge if flat.</li></ul>

## Warranty

Your SimplyWorks® TRACKBALL is warranted for 24 months against defects in manufacture or component failure. The unit is designed for domestic, educational, commercial and light industrial applications. Use outside these areas will invalidate the warranty. Unauthorised repair or modification, mechanical abuse, immersion in any liquid or connection to incompatible equipment will also invalidate the warranty.



**Pretorian**  
TECHNOLOGIES LTD.

Unit 37 Corringham Road Industrial Estate  
Gainsborough Lincolnshire DN21 1QB United Kingdom

Tel +44 (0) 1427 678990 Fax +44 (0) 1427 678992

SimplyWorks® is a registered trademark of Pretorian Technologies Ltd.

[www.pretorianuk.com](http://www.pretorianuk.com)