

ASSEMBLY INSTRUCTIONS



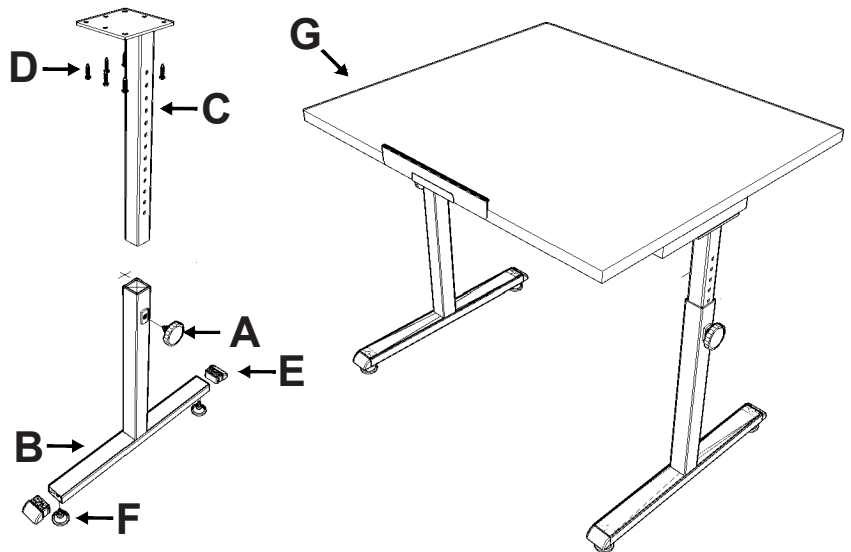
KA-3630-T Height adjustable tilting worktable

PARTS INCLUDED:

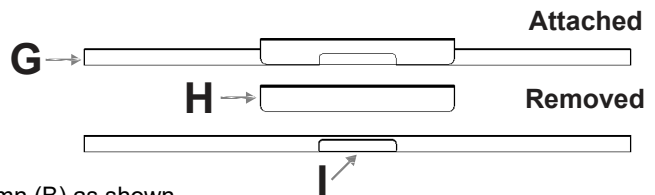
- A (2) Retracting Knob
- B (2) Outer T-Leg Column
- C (2) Inner Leg Tube/Plate
- D (14) #10x1" Phillips Fasteners
- E (4) Toe Caps
- F (4) Levelers or Optional Casters
- G (1) Table Top
- H (1) Pencil Stop
- I (1) Pencil Stop Bracket

TOOLS NEEDED:

Phillips Screwdriver



Pencil Stop Instructions



ASSEMBLY INSTRUCTIONS:

- Step 1: Unpack and identify all parts.
- Step 2: Thread Retracting Knob (A) into Outer T-Leg Column (B) as shown.
- Step 3: Slide Inner Leg Tube/Plate (C) into Outer Leg Column (B) and secure by tightening Knob.
- Step 4: Insert Toe Caps (E) and secure with Levelers (F) to foot section of Outer T-Leg (B) or Optional Casters if supplied.
- Step 5: Place Table Top (G) upside down on a padded surface.
- Step 6: Line up Leg Tube/Plates to pre-drilled holes with adjusting Knobs facing out.
- Step 7: Attach Leg Tube/Plates using #10x1" Phillips Fasteners (F).

OPERATING INSTRUCTIONS: To raise or lower the table, loosen adjusting Knob 1/4 turn, while holding the table up pull out on knob, raise or lower table, release knob to engage pin, then tighten knob until snug.

Tilt Adjustment: Lift table to desired tilt. The tilt mechanism locks automatically. **To lower**, lift table completely forward then lower the table.

CARE AND MAINTENANCE: Clean the Table Top and legs using a soft cloth and gentle, non-abrasive cleaner for fine furniture.