



SPECIAL NEEDS
COMPUTERS 
1-877-724-4922

KA-5935CR
 Adjustable powder board table

Therapy Table with comfort curve and height adjustability for individual positioning or multi-user environments.



FEATURES:

- Standard tabletop construction with durable laminate finish and vinyl edge
- Steel column with durable powder coat finish
- Custom designed extruded metal columns provide precision movement for fast, simple knob-adjustment
- 4 adjustable base levelers

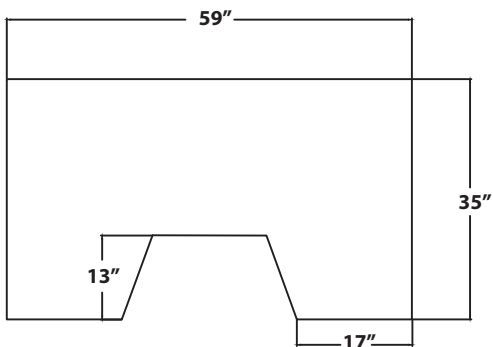
TECHNICAL DATA:

- Standard table dimensions: 59" x 35"
- Comfort curve dimensions: 26"W x 13"D
- Vertical adjustment capability: 10"
- Standard base color: Almond, or Graphite Silver

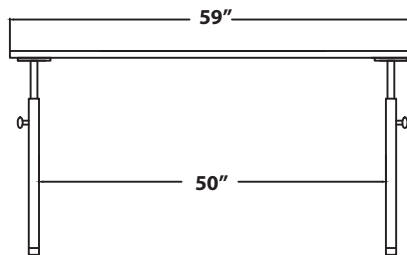
OPTIONAL ACCESSORIES:

- ADA signage
- Casters for mobility

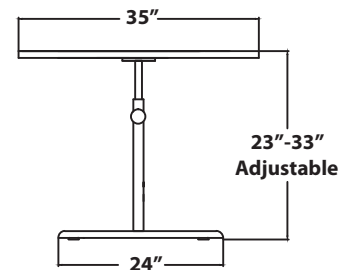
MODEL	DIMENSIONS	ADJUSTMENT RANGE	START/END HEIGHT	LEG SPAN
KA-5935CR	59" X 35"	10"	23", 33"	50"



Top View



Front View



Side View