



**SPECIAL NEEDS**  
**COMPUTERS**   
**1-877-724-4922**

**KA-3630-T**  
 Personal worktable



Personal adjustable tilting worktable provides adjustability for individual positioning or multi-user environments.

**FEATURES:**

- Standard tabletop construction: Durable laminate with vinyl edge
- Tilting table top from 0° to 50°
- Steel column with durable powder coat finish
- Easy to use knob style column lock
- 4 adjustable base levelers
- Adjustable pencil stop

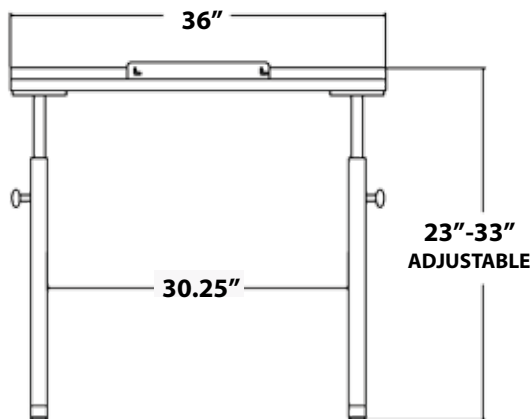
**TECHNICAL DATA:**

- Standard table dimensions: 36" x 30"
- Vertical adjustment capability: 10"
- Tilt adjustment from 0° to 50°
- Standard base color: Almond, or Graphite Silver

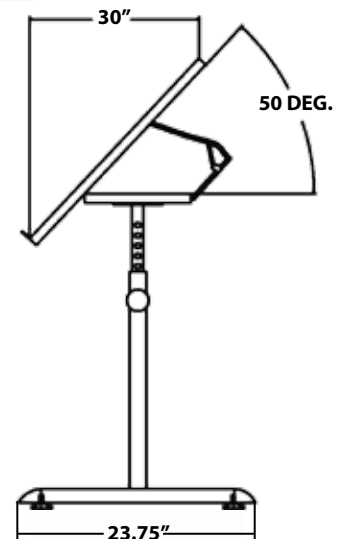
**OPTIONAL ACCESSORIES:**

- ADA signage
- Casters for mobility

| BASE SERIES       | STARTING HEIGHT | ENDING HEIGHT | TABLE TOP SIZES | TABLE TOP COLOR |
|-------------------|-----------------|---------------|-----------------|-----------------|
| KNOB ADJUST T-LEG | 24"             | 34"           | 36" X 30"       | MAPLE           |



Front View



Side View