



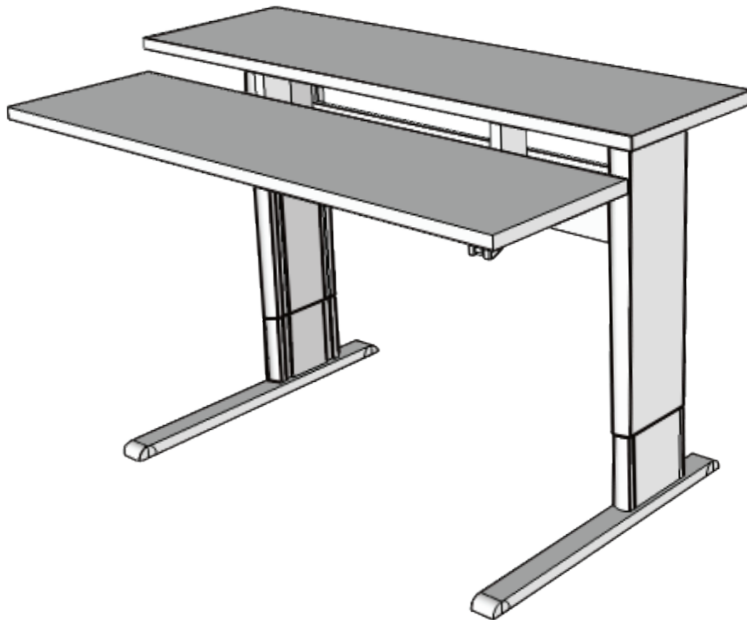
POPULAS
furniture by AD·AS

SPECIAL NEEDS
COMPUTERS 
1-877-724-4922

INFINITY TWO STORY

Motorized, bi-level height adjustable workstation

Sit-to-stand workstations and desks bring the desirable convenience of powered adjustment to everyone.



FEATURES:

- Dual surface workstation with vertical height adjustment for individual positioning or multiple user environments
- Push-button powered rear surface, Lift-N-Lock front surface
- Push-button controls mount on either side
- Infinite height adjustment throughout the specified range
- Durable laminate top

TECHNICAL DATA:

- See chart for standard dimensions
- Powered rear surface vertical adjustment range 27" - 39"
- Front surface adjustment range 23" - 46" (4" below, 7" above rear surface), with 15° +/- tilt
- Front surface load 50 lbs
- Rear surface load 500 lbs
- System operates on standard 110V, electric motor UL listed
- Extruded aluminum telescoping legs
- Base finish Graphite Silver

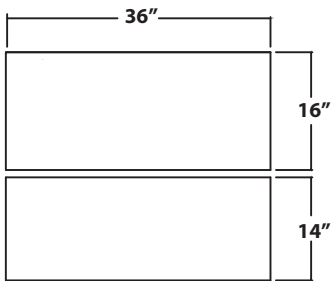
MODEL	FRONT/REAR DIMENSION	OVERALL DIMENSIONS	ADJUSTMENT RANGE	REAR START/END HEIGHT	LEG SPAN
IN 361416 BL	36" X 14" 36" X 16"	36" X 31"	12"	27", 39"	28"
IN 481416 BL	48" X 14" 48" X 16"	48" X 31"	12"	27", 39"	32"
IN 601416 BL	60" X 14" 60" X 16"	60" X 31"	12"	27", 39"	46"



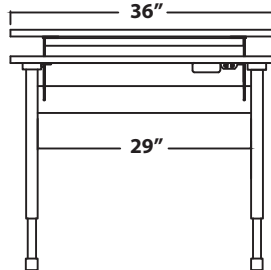
POPULAS
furniture by AD·AS

INFINITY TWO STORY
Dimension page

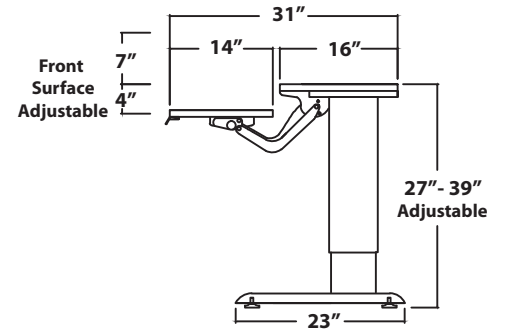
IN 3630 BL



Top View

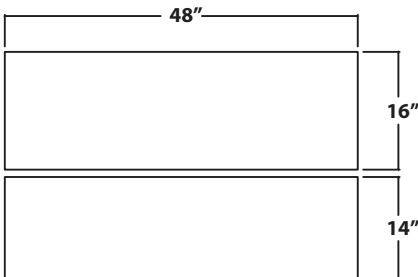


Front View

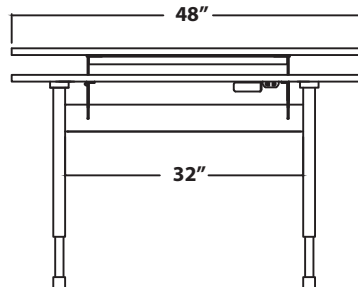


Side View

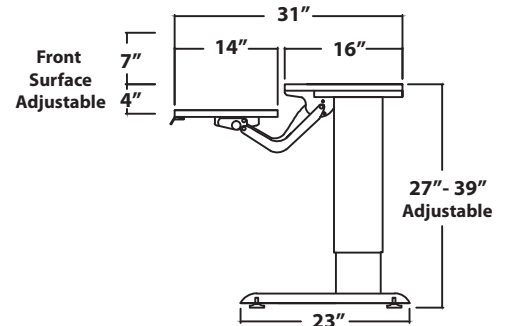
IN 4830 BL



Top View

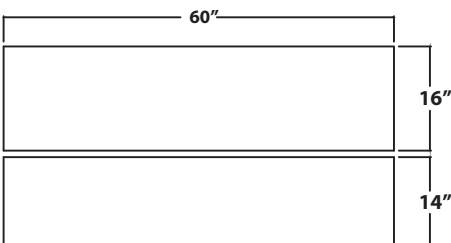


Front View

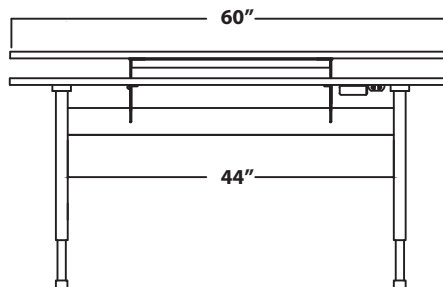


Side View

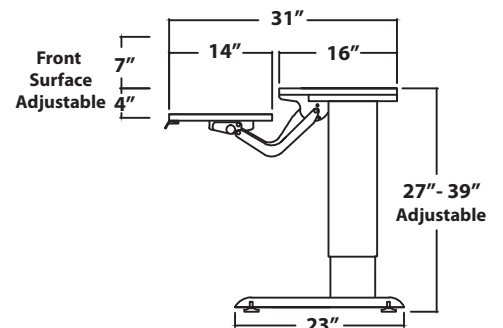
IN 6030 BL



Top View



Front View



Side View