



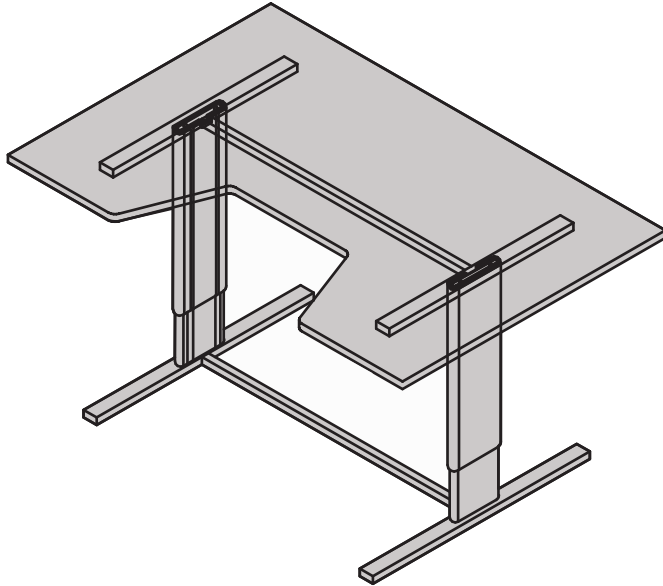
**POPULAS**  
furniture by AD·AS

**SPECIAL NEEDS**  
COMPUTERS   
1-877-724-4922

## INFINITY COMMAND CENTER 6040CR

Surround-view workstation with powered adjustment

Expansive worksurface with a comfort recess creates a surround-view for applications such as Radiology reading or PACS tables.



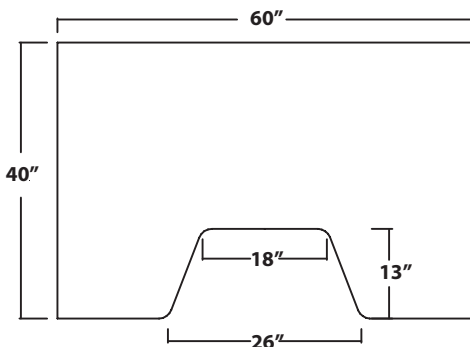
**FEATURES:**

- Single surface height adjustment for individual positioning or multi-user environment
- Smooth, quiet, motorized adjustment facilitates sit-to-stand functionality
- Push-button powered adjustment, controls can be mounted on either side of table
- Infinite height adjustment throughout the specified range
- Durable laminate top or real wood veneer

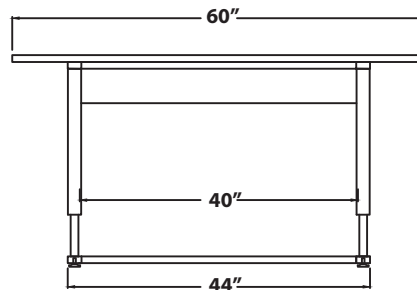
**TECHNICAL DATA:**

- Standard table dimensions: 60" x 40"
- Vertical adjustment range 27" - 39"
- System operates on standard 110V
- Motor is UL listed
- Weight capacity 500 lbs
- Adjustable tension legs for varying weight loads
- Front edge weight capacity with less than 0.19" inch of deflection: 250 lbs
- Extruded aluminum telescoping legs
- Base Finish Graphite Silver

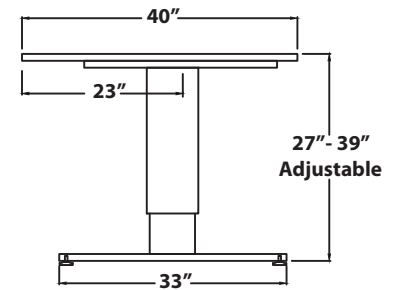
MODEL	DIMENSIONS	ADJUSTMENT RANGE	START/END HEIGHT	LEG SPAN
IN CC 6040CR	60" X 40"	12"	27", 39"	40"



Top View



Front View



Side View