

## lifetime limited warranty

Your Drive brand product is warranted to be free of defects in materials and workmanship for the lifetime of the original consumer purchaser.

This device was built to exacting standards and carefully inspected prior to shipment. This Lifetime Limited Warranty is an expression of our confidence in the materials and workmanship of our products and our assurance to the consumer of years of dependable service.

In the event of a defect covered by this warranty, we will, at our option, repair or replace the device.

This warranty does not cover device failure due to owner misuse or negligence, or normal wear and tear. The warranty does not extend to non-durable components, such as rubber accessories, casters, and grips, which are subject to normal wear and need periodic replacement.

If you have a question about your Drive device or this warranty, please contact an authorized Drive dealer.



over bed table

# assembly instructions

1. Stand the Column (#5) on end, making sure the Trip Rod is visible in the rectangular tube but not protruding out of the top as shown in Fig. 1. If necessary, shake the Column (#5) until the rod drops.
2. Insert Trip Handle (#6) into the Column (#5) with the rounded side up. Be sure the Trip Handle (#6) rests on top of the rod inside the Column foot (#5). Fig. 1
3. Place the Top (#10) on a flat surface, with the Top Bracket (#8) facing upward. Then while holding the Trip Handle (#6) in place, so it doesn't fall out, insert the Column (#5) into the Top Bracket (#8). Align the holes in the Column foot (#5), the Trip Handle (#6) and the Top Bracket (#8). Install both bolts (#9) and both nuts (#7) thru these aligned holes with the two (2) 7/16" wrenches. Fig. 2
4. Place the base (#4) on the floor and install the four casters (#3).
5. Place two bolts (#1) through the holes in the bolt plate (#2). Place this assembly into the base (#4). Tighten the bolts to the Column (#5) with a 9/16" wrench.
6. Stand the table on its casters (#3).
7. Remove the black shipping screw in the column and replace it with the zinc plated screw (#11), using a Phillips screwdriver. Fig. 3

## Tools Necessary For Assembly:

Phillips Screwdriver  
(2) 7/16" Wrenches  
9/16" Wrench

FIGURE 1

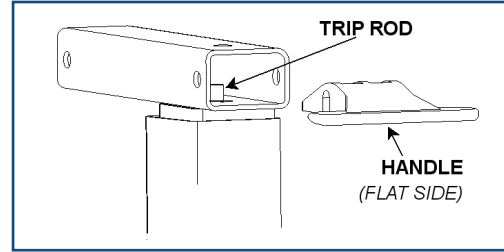


FIGURE 2

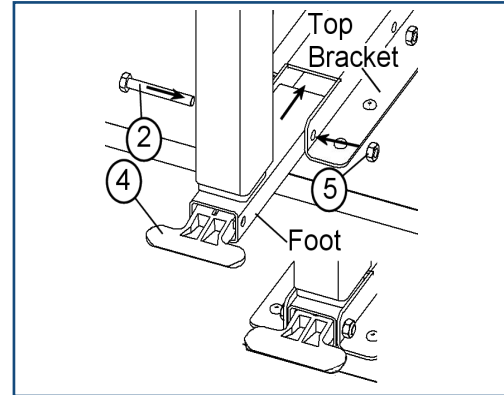
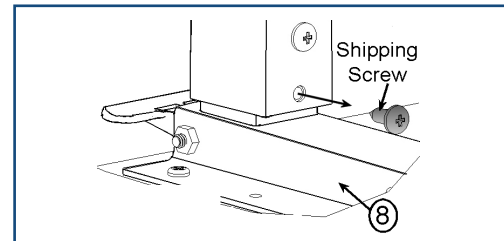
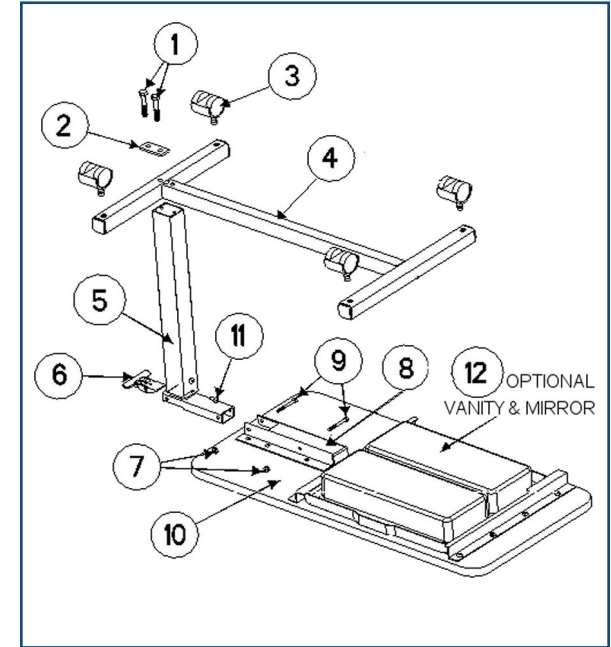


FIGURE 3



## CAUTION--SPRING LOADED ASSEMBLY

Do not remove the black shipping screw before completing assembly steps 1- 5. Removing the shipping screw before this can result in personal injury and spring damage.



# operating instructions

## TO ELEVATE THE TABLE:

Push upwards at any position on the underside of the top, until the top has reached the desired height.

## TO LOWER THE TABLE:

Squeeze the trip handle upward and push the top down to the desired height. The table will operate best if the downward pressure is placed at the column end of the top

Occasional application of light oil lubrication between the inner and outer columns will help keep your Overbed table operating smoothly. Penetrating oils with rust inhibitors are recommended.