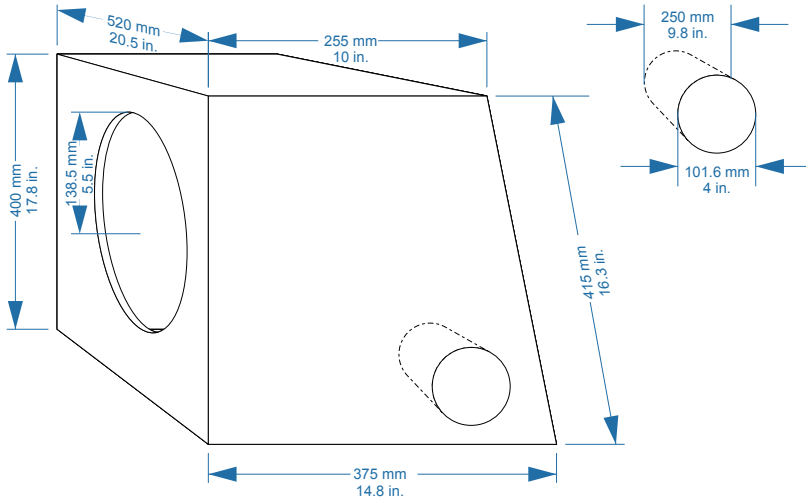
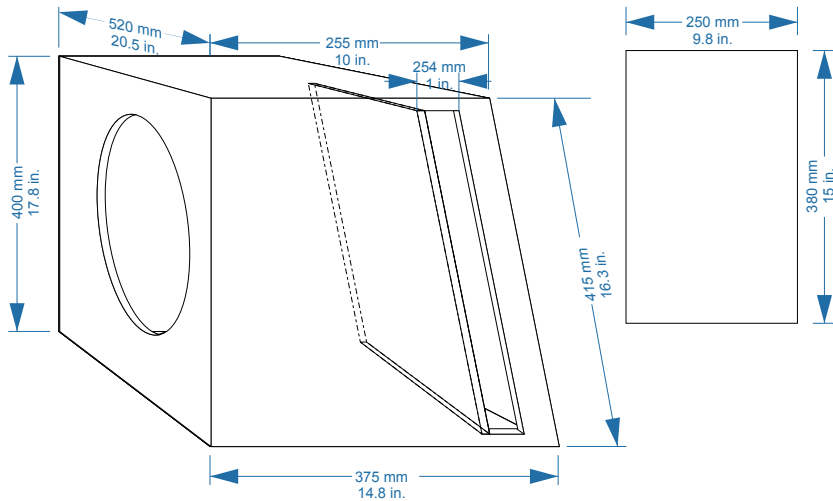


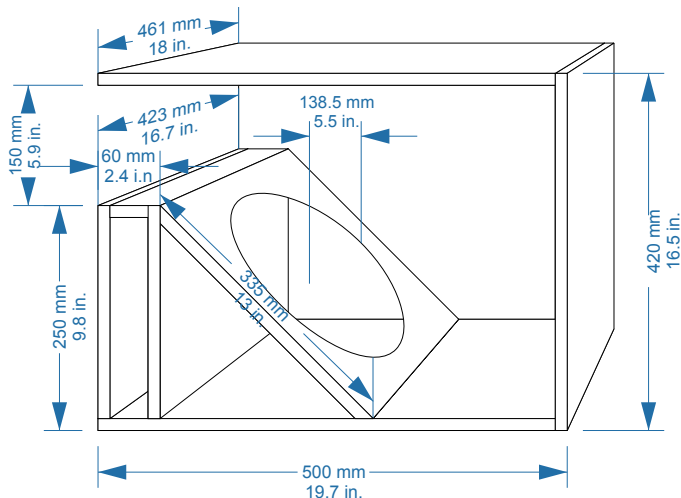
<b>MODEL:</b> XTR122D / XTR124D		
<b>SPEAKER TYPE:</b> WOOFER		
<b>BOX AREA:</b>	47,5 LTS.	1,6 FT <sup>3</sup>
<b>PORT AREA:</b>		
<b>Suggested frequency to set speaker on amplifier and or crossover.</b>		150-80 Hz
<b>Mode to set frequency on amplifier and or crossover.</b>		LOW PASS
<b>Suggested Material.</b>		MDF
<b>thickness of Material.</b>	15 mm	5/8'



<b>MODEL:</b> XTR122D / XTR124D		
<b>SPEAKER TYPE:</b> WOOFER		
<b>BOX AREA:</b>	45,5 LTS.	1,6 FT <sup>3</sup>
<b>PORT AREA:</b>	2 LTS.	0,07 FT <sup>3</sup>
<b>Suggested frequency to set speaker on amplifier and or crossover.</b>		120-80 Hz
<b>Mode to set frequency on amplifier and or crossover.</b>		LOW PASS
<b>Suggested Material.</b>		MDF
<b>thickness of Material.</b>	15 mm	5/8'



<b>MODEL:</b> XTR122D / XTR124D		
<b>SPEAKER TYPE:</b> WOOFER		
<b>BOX AREA:</b>	42,8 LTS.	1,5 FT <sup>3</sup>
<b>PORT AREA:</b>	4,75 LTS.	0,17 FT <sup>3</sup>
<b>Suggested frequency to set speaker on amplifier and or crossover.</b>		120-80 Hz
<b>Mode to set frequency on amplifier and or crossover.</b>		LOW PASS
<b>Suggested Material.</b>		MDF
<b>thickness of Material.</b>	15 mm	5/8'



<b>MODEL:</b> XTR122D / XTR124D		
<b>SPEAKER TYPE:</b> WOOFER		
<b>BOX AREA:</b>	58 LTS.	2 FT <sup>3</sup>
<b>PORT AREA:</b>	3,8 LTS.	0,13 FT <sup>3</sup>
<b>Suggested frequency to set speaker on amplifier and or crossover.</b>		120-80 Hz
<b>Mode to set frequency on amplifier and or crossover.</b>		LOW PASS
<b>Suggested Material.</b>		MDF
<b>thickness of Material.</b>	15 mm	5/8'