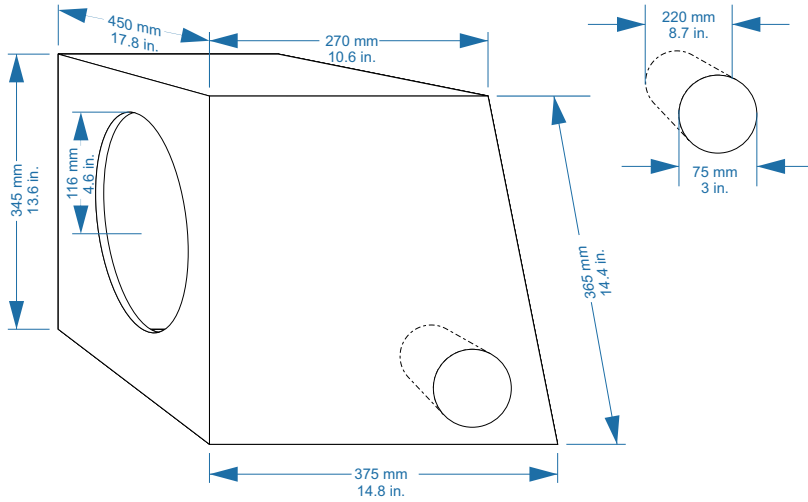
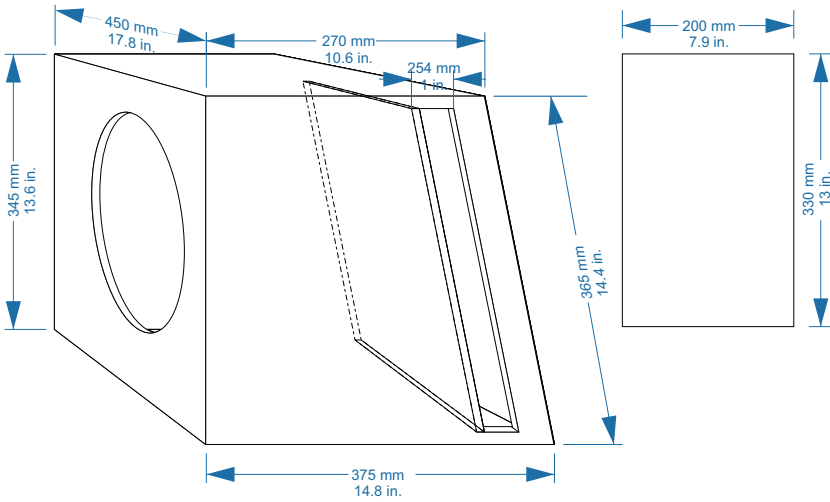


<b>MODEL:</b> XTR102D / XTR104D		
<b>SPEAKER TYPE:</b> WOOFER		
<b>BOX AREA:</b>	35,5 LTS.	1,2 FT <sup>3</sup>
<b>PORT AREA:</b>		
<b>Suggested frequency to set speaker on amplifier and or crossover.</b>		150-80 Hz
<b>Mode to set frequency on amplifier and or crossover.</b>		LOW PASS
<b>Suggested Material.</b>		MDF
<b>thickness of Material.</b>	15 mm	5/8'



<b>MODEL:</b> XTR102D / XTR104D		
<b>SPEAKER TYPE:</b> WOOFER		
<b>BOX AREA:</b>	34,5 LTS.	1,2 FT <sup>3</sup>
<b>PORT AREA:</b>	0,99 LTS.	0,034 FT <sup>3</sup>
<b>Suggested frequency to set speaker on amplifier and or crossover.</b>		120-80 Hz
<b>Mode to set frequency on amplifier and or crossover.</b>		LOW PASS
<b>Suggested Material.</b>		MDF
<b>thickness of Material.</b>	15 mm	5/8'



<b>MODEL:</b> XTR102D / XTR104D		
<b>SPEAKER TYPE:</b> WOOFER		
<b>BOX AREA:</b>	33,9 LTS.	1,2 FT <sup>3</sup>
<b>PORT AREA:</b>	1,65 LTS.	0,058 FT <sup>3</sup>
<b>Suggested frequency to set speaker on amplifier and or crossover.</b>		120-80 Hz
<b>Mode to set frequency on amplifier and or crossover.</b>		LOW PASS
<b>Suggested Material.</b>		MDF
<b>thickness of Material.</b>	15 mm	5/8'