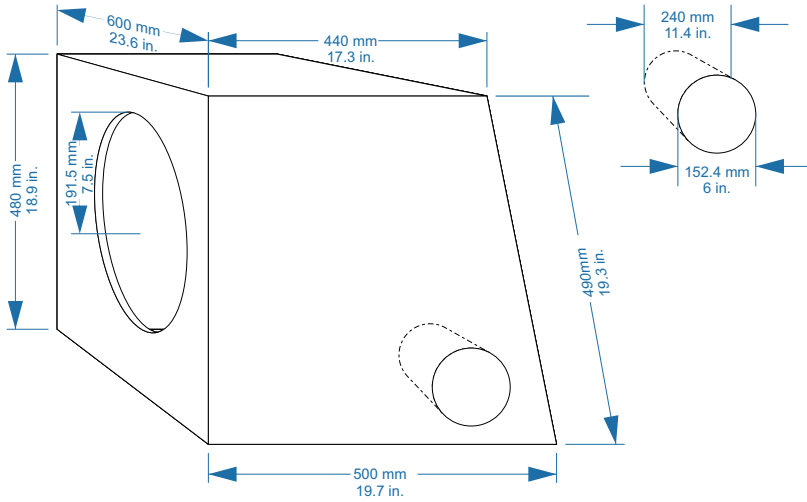
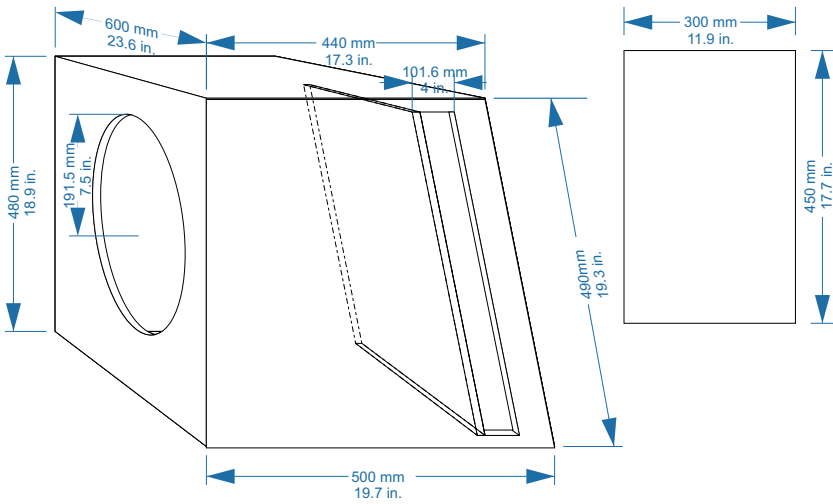


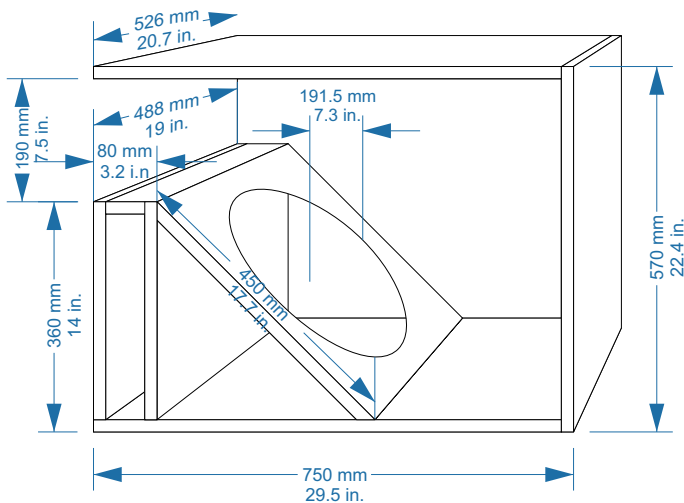
<b>MODEL:</b> HCCA152 / HCCA154		
<b>SPEAKER TYPE:</b> SUB WOOFER		
<b>BOX AREA:</b>	114 LTS.	4 FT <sup>3</sup>
<b>PORT AREA:</b>		
<b>Suggested frequency to set speaker on amplifier and or crossover.</b>		120-80 Hz
<b>Mode to set frequency on amplifier and or crossover.</b>		LOW PASS
<b>Suggested Material.</b>		MDF
<b>thickness of Material.</b>	15 mm	5/8'



<b>MODEL:</b> HCCA152 / HCCA154		
<b>SPEAKER TYPE:</b> SUB WOOFER		
<b>BOX AREA:</b>	110,2 LTS.	3,9 FT <sup>3</sup>
<b>PORT AREA:</b>	4,35 LTS.	0,15 FT <sup>3</sup>
<b>Suggested frequency to set speaker on amplifier and or crossover.</b>		100-80 Hz
<b>Mode to set frequency on amplifier and or crossover.</b>		LOW PASS
<b>Suggested Material.</b>		MDF
<b>thickness of Material.</b>	15 mm	5/8'



<b>MODEL:</b> HCCA152 / HCCA154		
<b>SPEAKER TYPE:</b> SUB WOOFER		
<b>BOX AREA:</b>	103 LTS.	3,6 FT <sup>3</sup>
<b>PORT AREA:</b>	13,77 LTS.	0,48 FT <sup>3</sup>
<b>Suggested frequency to set speaker on amplifier and or crossover.</b>		100-80 Hz
<b>Mode to set frequency on amplifier and or crossover.</b>		LOW PASS
<b>Suggested Material.</b>		MDF
<b>thickness of Material.</b>	15 mm	5/8'



<b>MODEL:</b> HCCA152 / HCCA154		
<b>SPEAKER TYPE:</b> SUB WOOFER		
<b>BOX AREA:</b>	151 LTS.	5,3 FT <sup>3</sup>
<b>PORT AREA:</b>	7,4 LTS.	0,70 FT <sup>3</sup>
<b>Suggested frequency to set speaker on amplifier and or crossover.</b>		100-80 Hz
<b>Mode to set frequency on amplifier and or crossover.</b>		LOW PASS
<b>Suggested Material.</b>		MDF
<b>thickness of Material.</b>	15 mm	5/8'