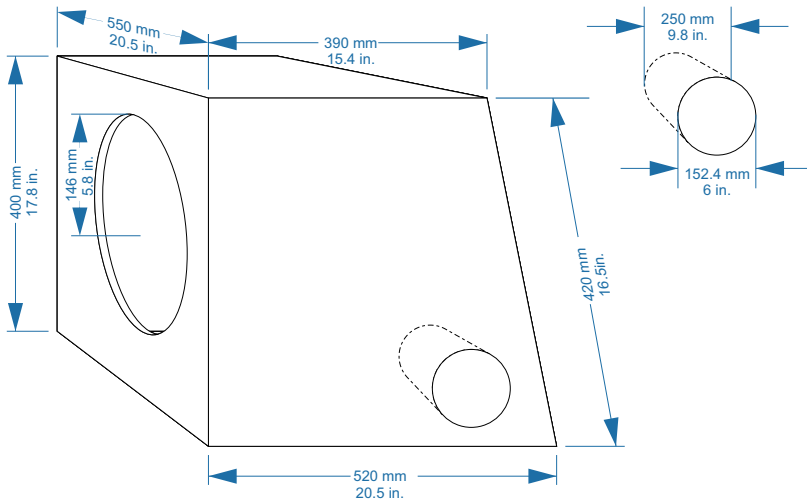
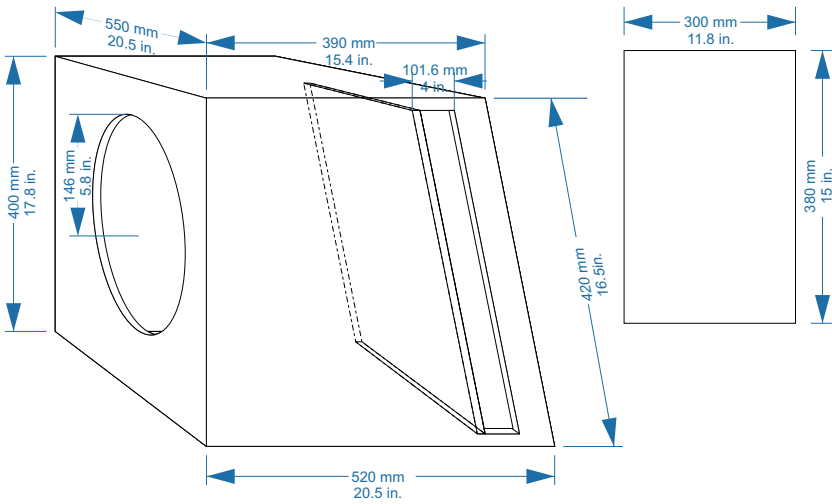


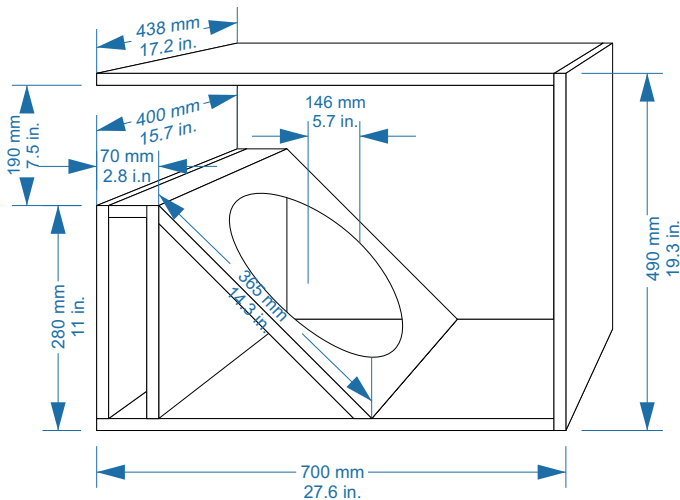
<b>MODEL:</b> HCCA122 / HCCA124		
<b>SPEAKER TYPE:</b> SUB WOOFER		
<b>BOX AREA:</b>	64 LTS.	2,2 FT <sup>3</sup>
<b>PORT AREA:</b>		
<b>Suggested frequency to set speaker on amplifier and or crossover.</b>		120-80 Hz
<b>Mode to set frequency on amplifier and or crossover.</b>		LOW PASS
<b>Suggested Material.</b>		MDF
<b>thickness of Material.</b>	15 mm	5/8'



<b>MODEL:</b> HCCA122 / HCCA124		
<b>SPEAKER TYPE:</b> SUB WOOFER		
<b>BOX AREA:</b>	71,5 LTS.	2,5 FT <sup>3</sup>
<b>PORT AREA:</b>	4,5 LTS.	0,16 FT <sup>3</sup>
<b>Suggested frequency to set speaker on amplifier and or crossover.</b>		100-80 Hz
<b>Mode to set frequency on amplifier and or crossover.</b>		LOW PASS
<b>Suggested Material.</b>		MDF
<b>thickness of Material.</b>	15 mm	5/8'



<b>MODEL:</b> HCCA122 / HCCA124		
<b>SPEAKER TYPE:</b> SUB WOOFER		
<b>BOX AREA:</b>	67,5 LTS.	2,4 FT <sup>3</sup>
<b>PORT AREA:</b>	8,5 LTS.	0,30 FT <sup>3</sup>
<b>Suggested frequency to set speaker on amplifier and or crossover.</b>		100-80 Hz
<b>Mode to set frequency on amplifier and or crossover.</b>		LOW PASS
<b>Suggested Material.</b>		MDF
<b>thickness of Material.</b>	15 mm	5/8'



<b>MODEL:</b> HCCA122 / HCCA124		
<b>SPEAKER TYPE:</b> SUB WOOFER		
<b>BOX AREA:</b>	97,7 LTS.	3,5 FT <sup>3</sup>
<b>PORT AREA:</b>	5,32 LTS.	0,18 FT <sup>3</sup>
<b>Suggested frequency to set speaker on amplifier and or crossover.</b>		100-80 Hz
<b>Mode to set frequency on amplifier and or crossover.</b>		LOW PASS
<b>Suggested Material.</b>		MDF
<b>thickness of Material.</b>	15 mm	5/8'