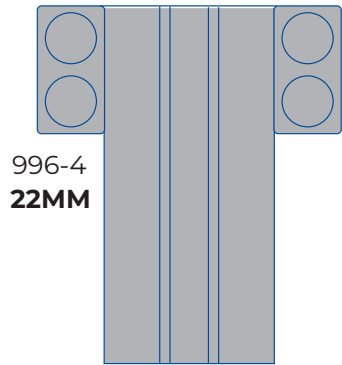




# SHOCKIT™ OFF - LT996D

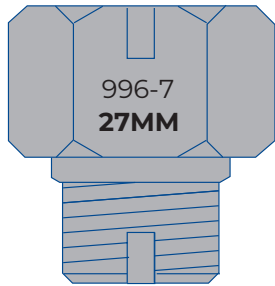
## Parts Diagram

### Socket Diesel NOx Sensor Removal Kit



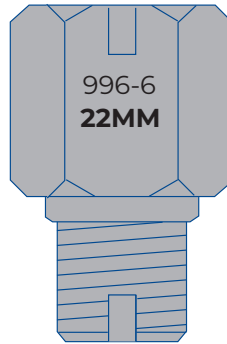
996-4  
22MM

THIN WALL DEEP SHOCKIT™ SOCKET  
NOx SENSOR REMOVER-  
JEEP. RAM. ECO DIESEL



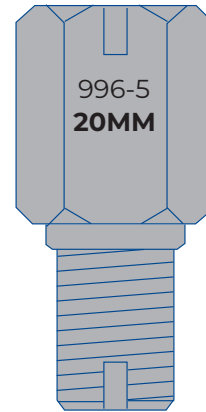
996-7  
27MM

THREAD  
CHASER



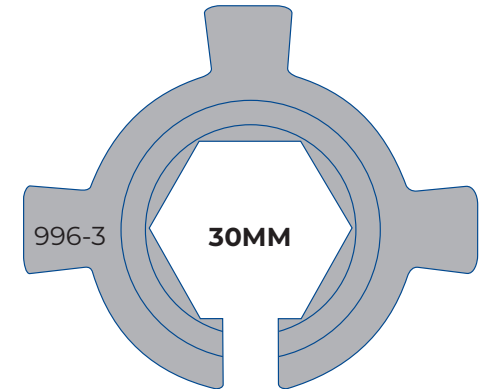
996-6  
22MM

THREAD  
CHASER



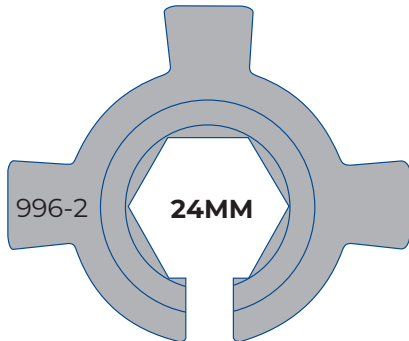
996-5  
20MM

THREAD  
CHASER



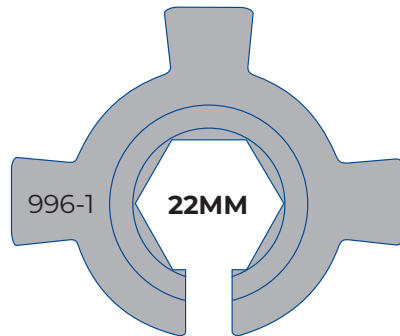
996-3  
30MM

SHOCKIT™ SOCKET  
NOx SENSOR LOCK NUT REMOVER-  
JEEP. RAM. ECO DIESEL



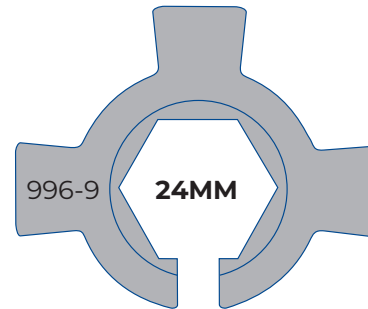
996-2  
24MM

SHOCKIT™ SOCKET  
PARTICULATE SENSOR REMOVER-  
DURAMAX. CUMMINS. POWERSTROKE.



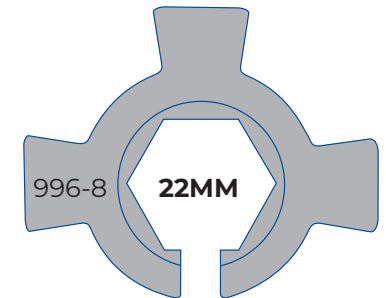
996-1  
22MM

SHOCKIT™ SOCKET  
NOx SENSOR REMOVER-  
DURAMAX. CUMMINS.  
POWER STROKE. SEMI TRUCKS.



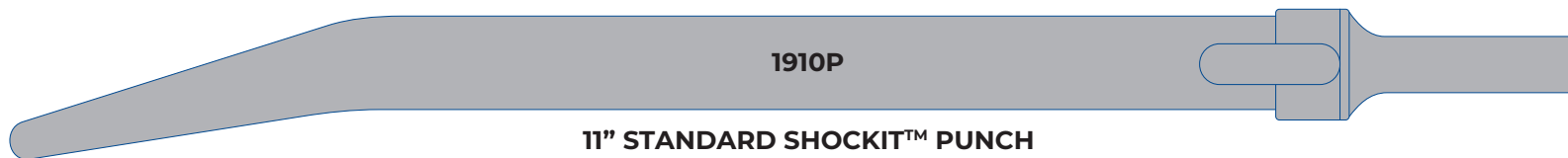
996-9  
24MM

LOW PROFILE SHOCKIT™ SOCKET  
PARTICULATE SENSOR REMOVER-  
DURAMAX. CUMMINS. POWER STROKE.



996-8  
22MM

LOW PROFILE SHOCKIT™ SOCKET  
NOx SENSOR REMOVER-  
DURAMAX. CUMMINS.  
POWER STROKE. SEMI TRUCKS.



1910P

11" STANDARD SHOCKIT™ PUNCH