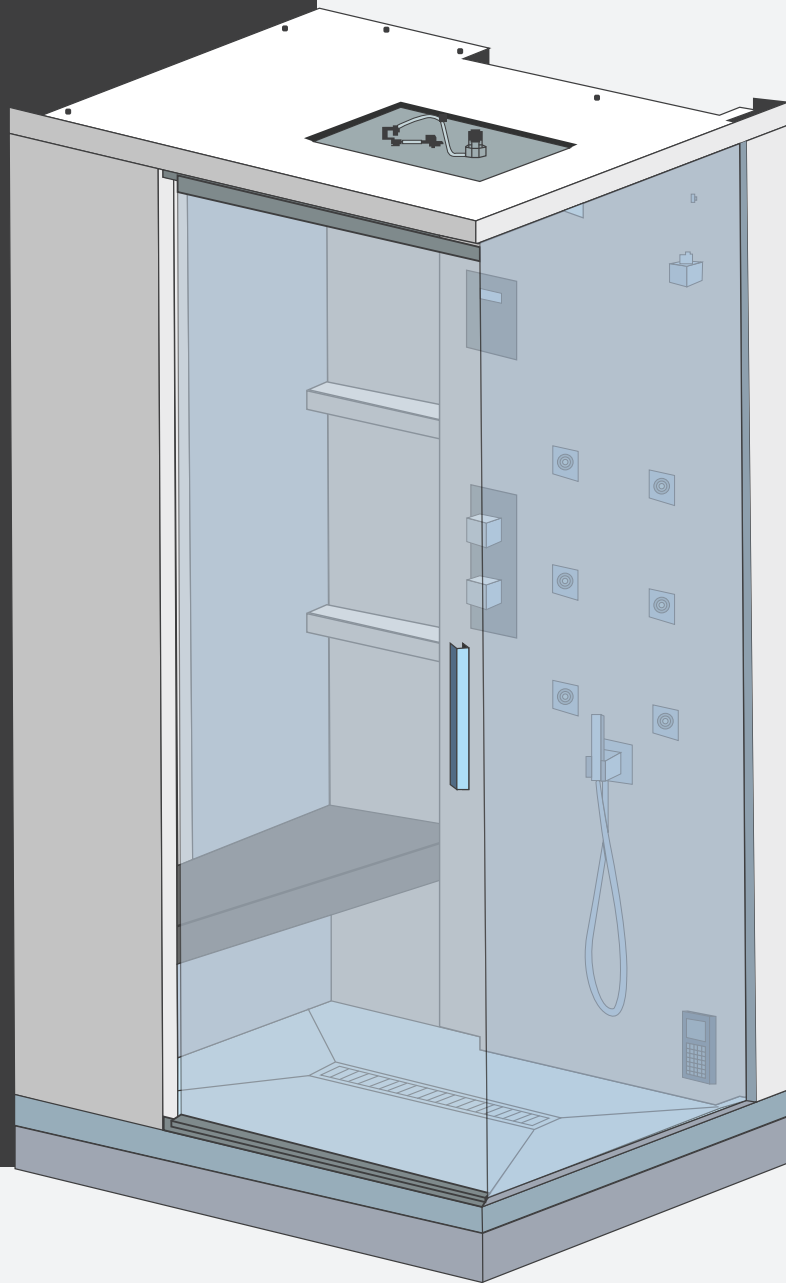


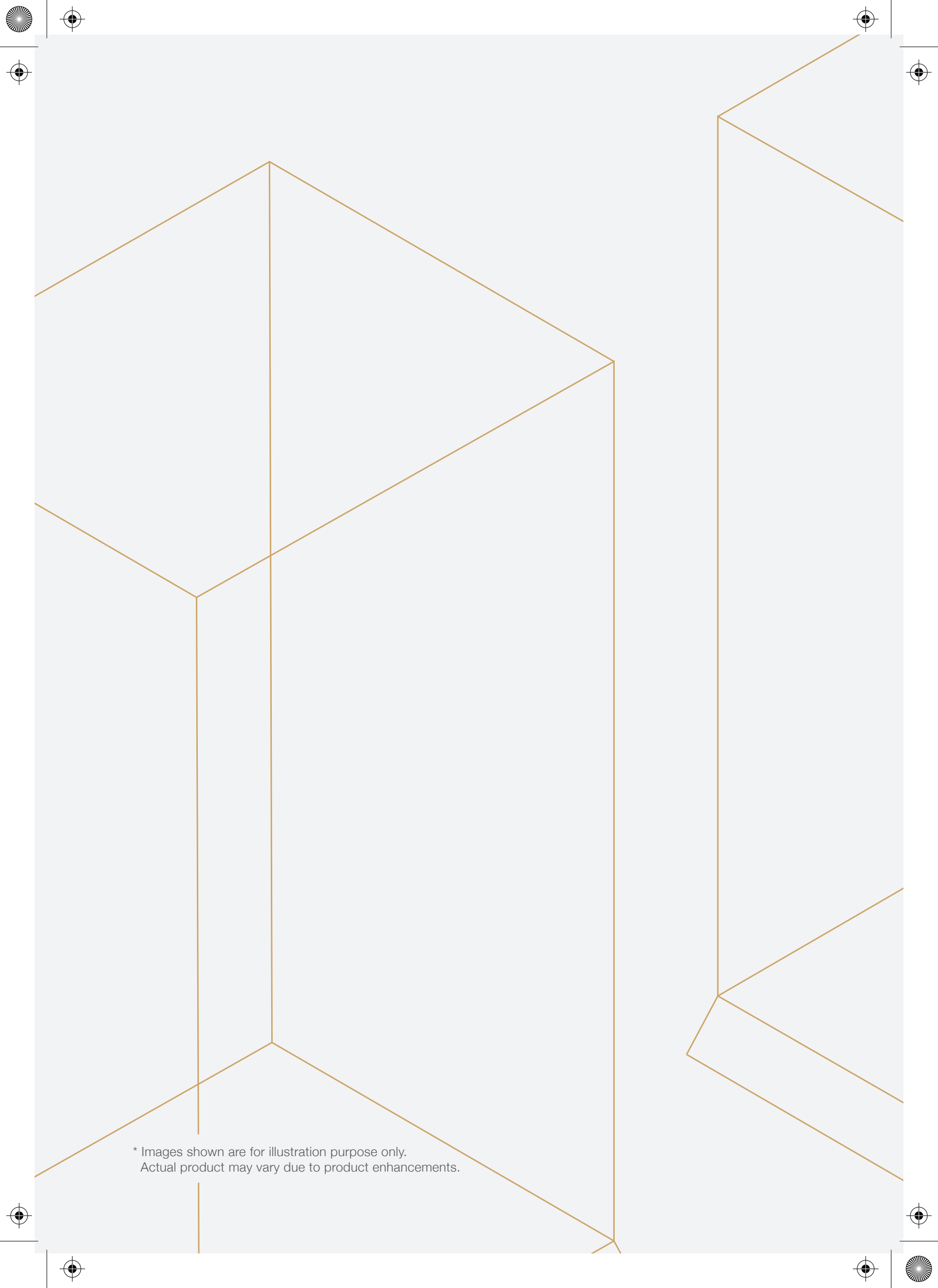
Artize

QUADRO - 120 X 100



Steam Shower Cabin

Manual for Installation



* Images shown are for illustration purpose only.
Actual product may vary due to product enhancements.

Content

• Safety Instruction & Precaution	01 & 02
• Tools	03
• Overall Dimensions	04
• Site Preparation & Installation Requirement	05
• Part Identification Reference	06
• The Cabin Base / Shower Tray Setting on Finished Floor Step 1	07
• Shower Wall Fixing on Base Tray Step 2	08
• Fixing the Drain Connection	09
• Side Wall Fixing Step 3	10
• Side Wall Fixing Step 4	11
• Roof Panel Fixing Step 5	12
• Installing Glass Walls & Fixing Cabin Door Step 6	13
• Electric & Plumbing Connections	14
• Main Power Connections	15
• Faucet Mixer Features & Maintenance	16
• Steam Keypad	17
• Keyboard	18
• Settings	18
• Steam Bath	19 & 20
• Chromotherapy	20
• Music Function	21
• Bluetooth	21
• Functions	22
• Alarm	22
• Aroma	22
• Boiler Maintenance	23
• Warranty	24
• Standard Packing Information	25
• Notes	26 & 27

Safety Instruction & Precaution

- **Caution**

Product must be installed by the qualified person. The manufacturer declines all liability for events arising from incorrect installation or operation of the tub. The product is designed for indoor use in bathrooms, and must not be installed in the open. Always power off the product (Omnipolar switch in the OFF position) when maintenance is to be performed on electrical components.

- **Electric safety**

Product must be fixed securely and connected sturdily to the mains and the earthing and unipotential systems. The manufacturer accepts no liability if the hydraulic and electrical circuits are not in compliance with EN safety standards. The building's electrical circuit must be in compliance with EN safety standards and protected by a standards-approved differential switch (safety cut-out) with a differential value of 30mA.

The connection to the electrical mains must be permanent and made with a cable that is not lighter than type of 3x2.5mm². It must be intercepted by an Omnipolar switch with an opening of contacts of at least 230V and a current of 16A. It should if possible be located outside the room and distant from locations where it might come into contact with water.

- **Connecting the equipotential circuit**

Provide equipotential connection of the metallic masses extraneous to the shower booth by using the earth equipotential contact. Arrange the cable outlet near the electrical power supply.

- **Safety rules for bathroom**

Sockets, lights, switches, and other electric devices must be installed outside the danger zones as laid out by the laws and international standards for bathrooms. It is strictly prohibited to touch, handle, or switch on electric appliances while using the shower booth.

Electrical appliances positioned in the zones surrounding the shower box must be securely fixed in position to prevent them from falling into the shower box.



Safety Instruction & Precaution

• Precautions

The material used for the construction of the shower booth is extremely tough and durable, which is demonstrated by the widespread use of this material in many industries.

However, this material may be damaged by certain chemical substances such as acetones and solvents in general and stained by alcohol-based liquids if these are not removed immediately.

For this reason, it is advisable to protect the product surface with paper or cardboard (the packing cartons may also be used) during installation, in order to ensure that no abrasive substances or paint come into the surface. It is also advisable to avoid placing tools on the surface of the shower plate.

Immediately on delivery, check that the appliance is in perfect condition and that the packaging is not damaged in any way.

• Safety distances

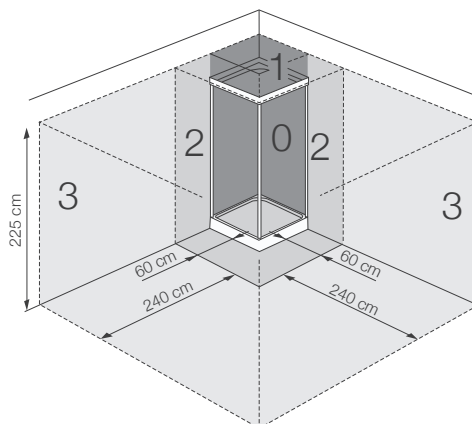
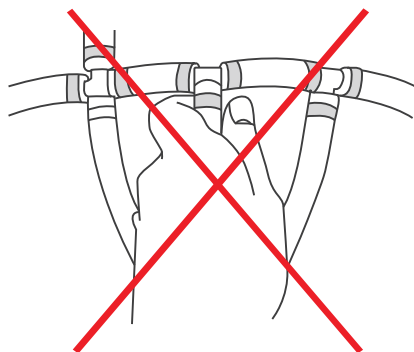
Shower areas, saunas, bathrooms, swimming pools, and the surrounding areas are classified by EN safety standards as special zones since the humidity and dampness associated with these areas can make them extremely dangerous.

The standards specify four clearly defined areas: zone 0, 1, 2 and 3. The Omnipolar switch with an opening of contacts of at least 3.5mm must be located outside of these zones, distant from possible contact with water.

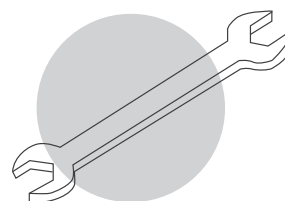
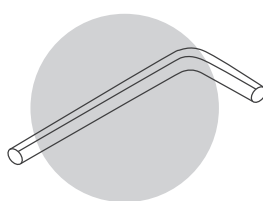
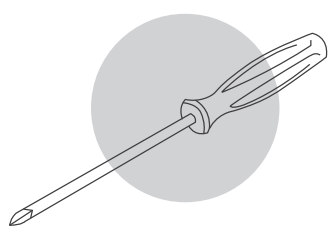
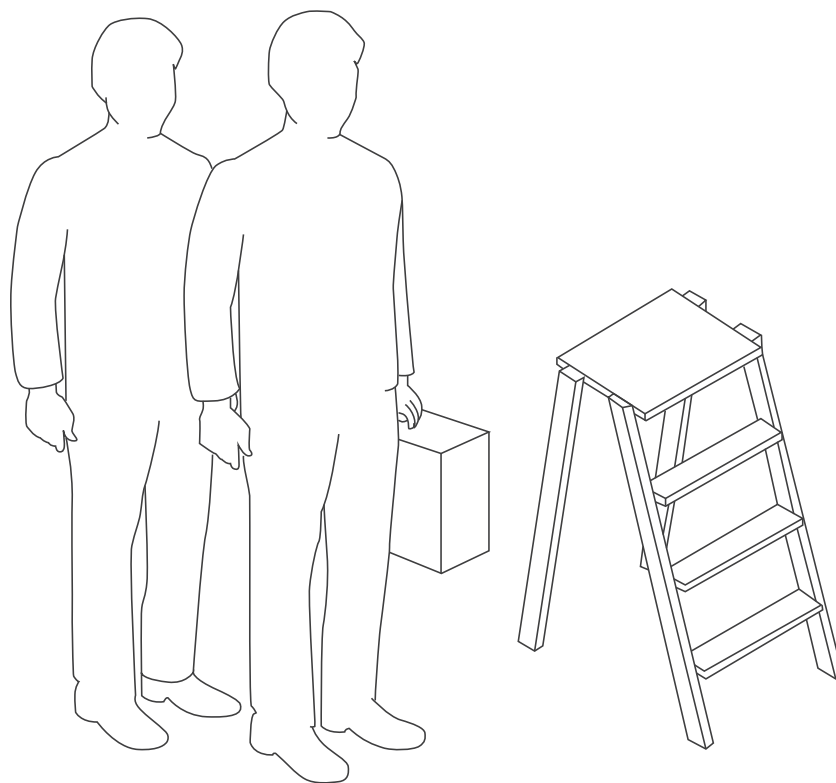
The limits of the various danger zones may be modified by the presence of walls, protective panels, and fixed insulating walls which limit access to the tub or to the shower plate. In this case, the area is delimited by taking a piece of string whose length is that of the area and winding it around the wall to the opposite side. The path taken by the end of the string marks the danger zone. The zone that is external to the four danger areas is considered to be normal.

• Important

Consult the technical data sheet of the shower cabin to be installed. We suggest the installation of a 100-micron feed water filter and a water softener. Before positioning the shower box, it is the duty of whoever assembles the product to check that all the connections are watertight.

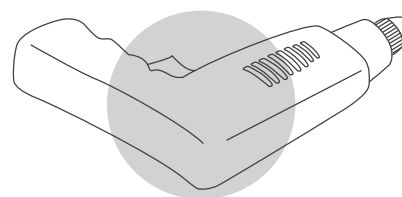
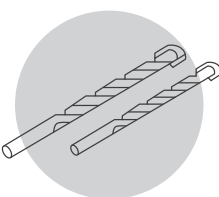
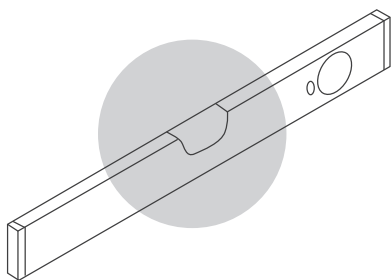


Tools



Ø6

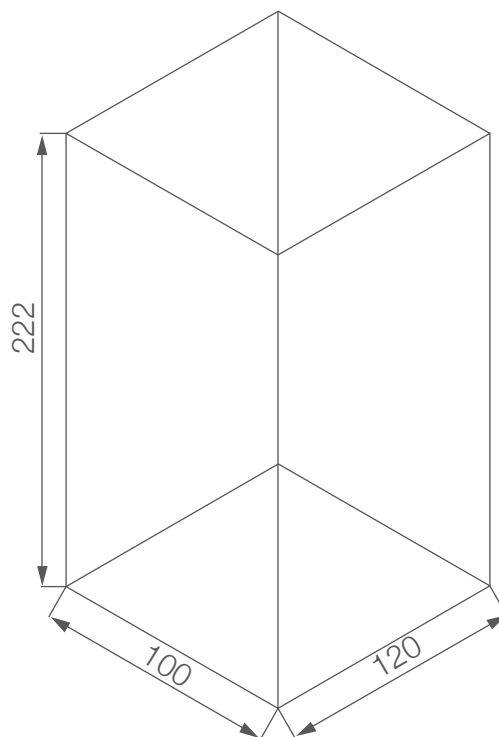
Ø3



* Recommendation : Two person & standard tool kit required for product installation.



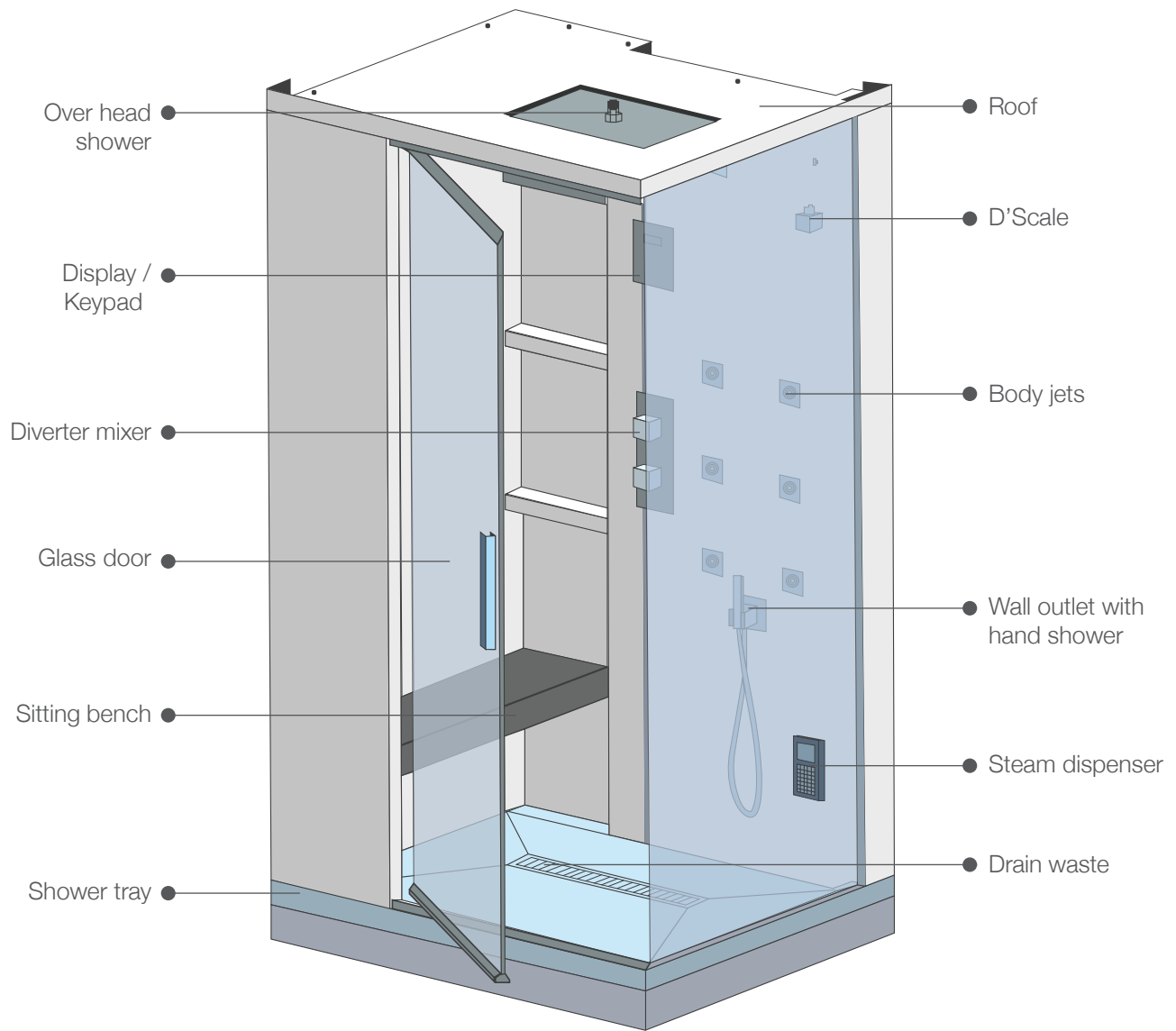
Overall Dimensions



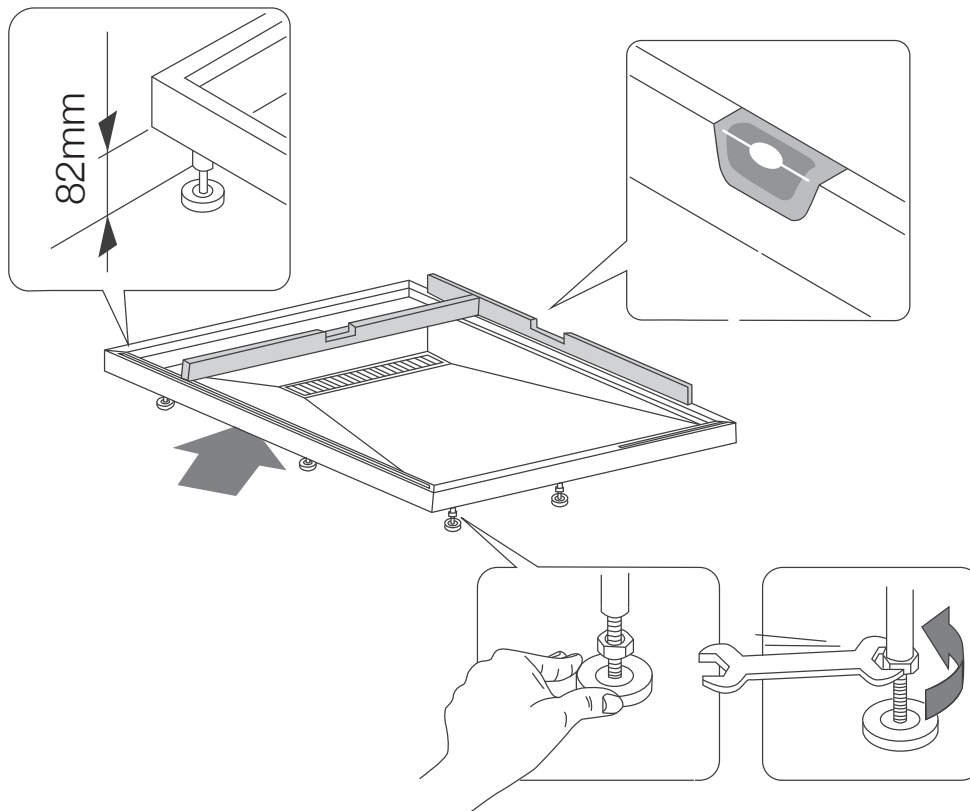
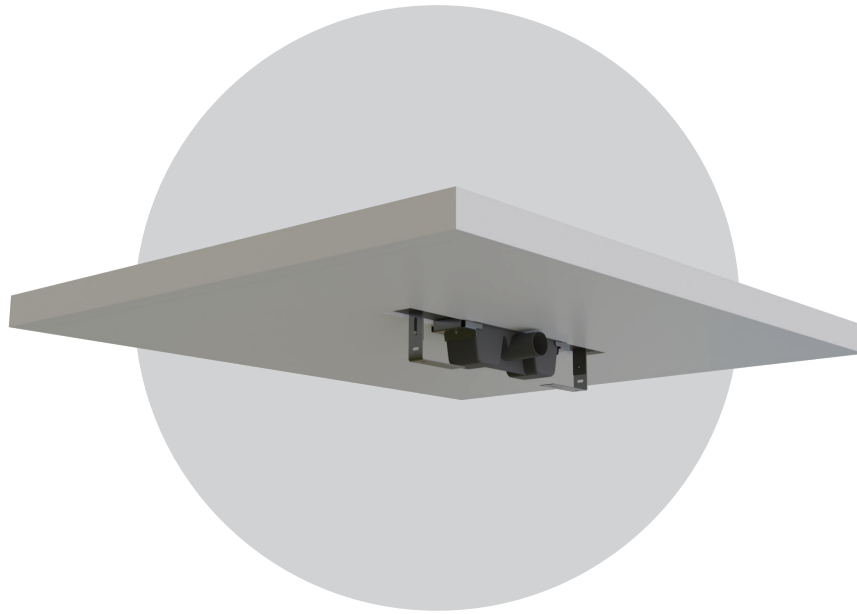
Technical specification for 120 x 100	
Gross weight	240 KG
Electrical & plumbing requirements	
Required socket dimensions for drainage flex pipe (inner dia)	ø50mm
Required length for flex pipe for drainage	400-800mm
Socket dimensions for water inlet (hot / cold)	1 / 2"
Inlet water pressure	2.5Bar-3.5Bar (300kpa)
Input voltage	220-240V
Frequency	50HZ
Power load	4.6KW
Product features	
Steamer	4.5KW
Multi function head shower	Rain + Mist
Cascade waterfall	1 pcs
Number of body jets (fixed)	6 pcs
Handshower	1 pcs
Chromotherapy	RGB-LED
Bluetooth	✓
Music / Speaker	2 pcs
Digital touch control	1



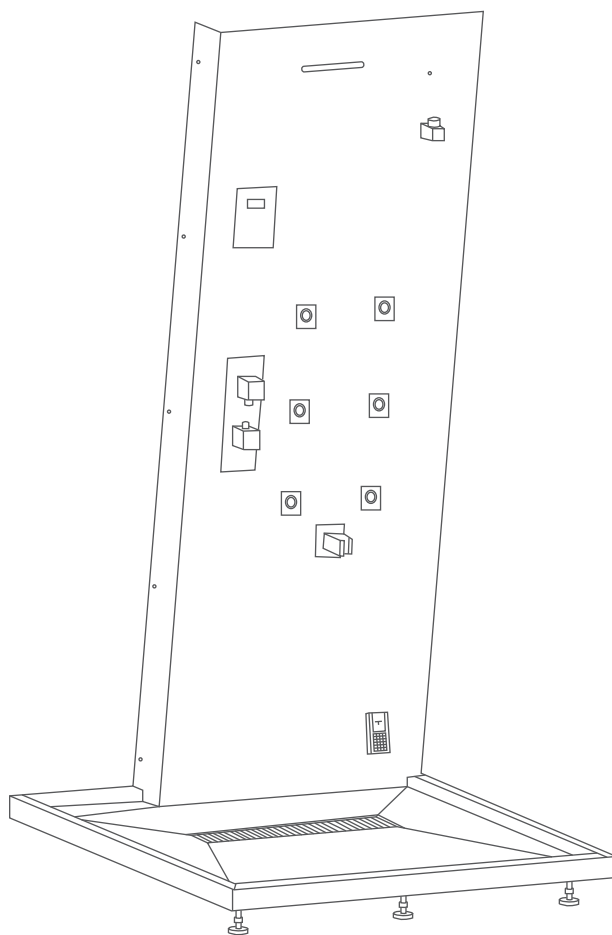
1. Part Identification Reference



2. The Cabin Base / Shower Tray Setting on Finished Floor Step 1



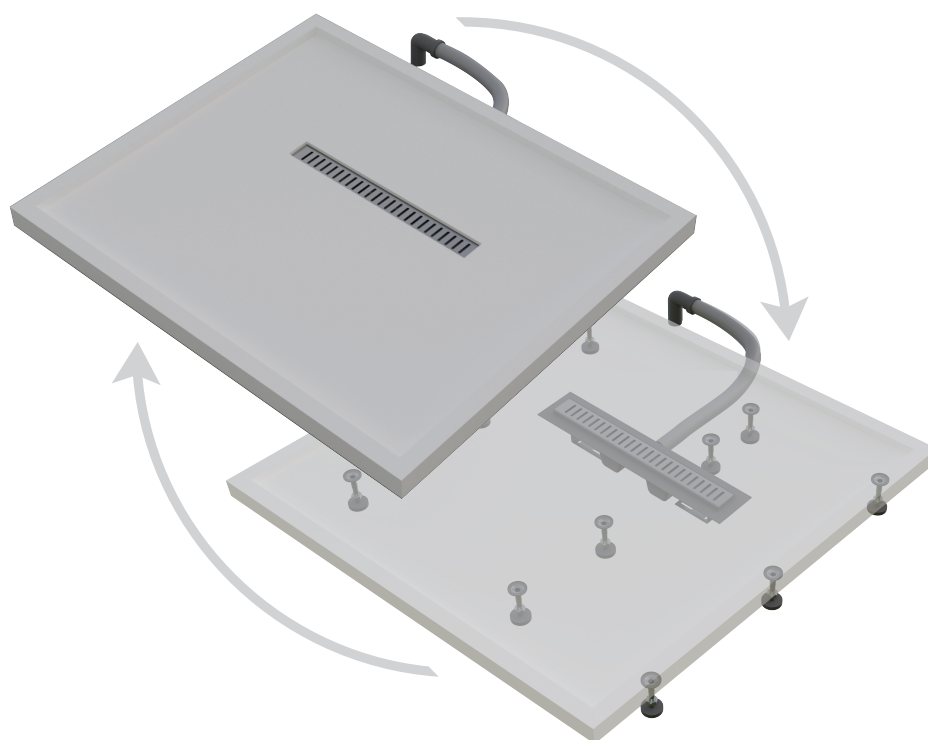
3. Shower Wall Fixing on Base Tray Step 2



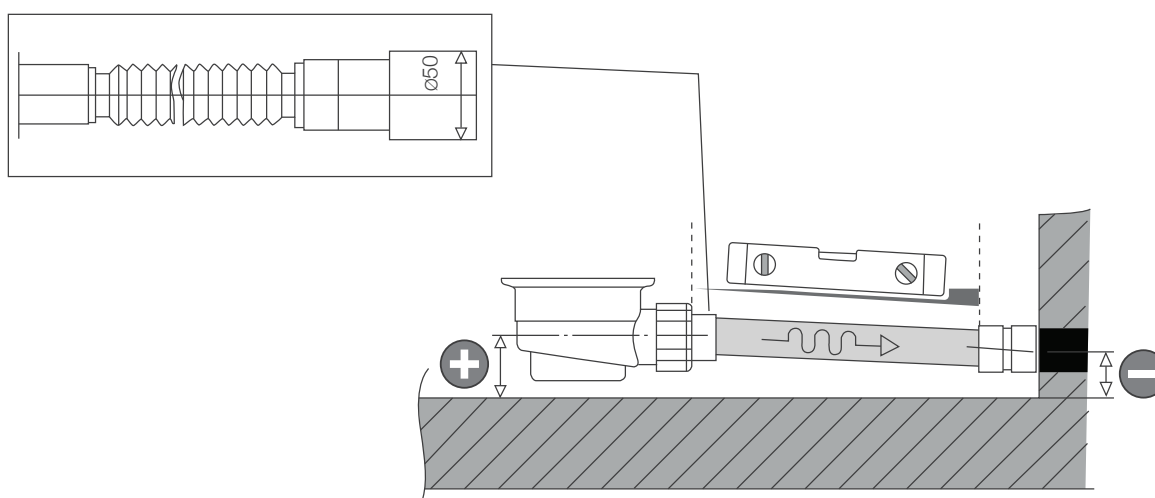
* Use L clamp & screws to fix the cabin walls.



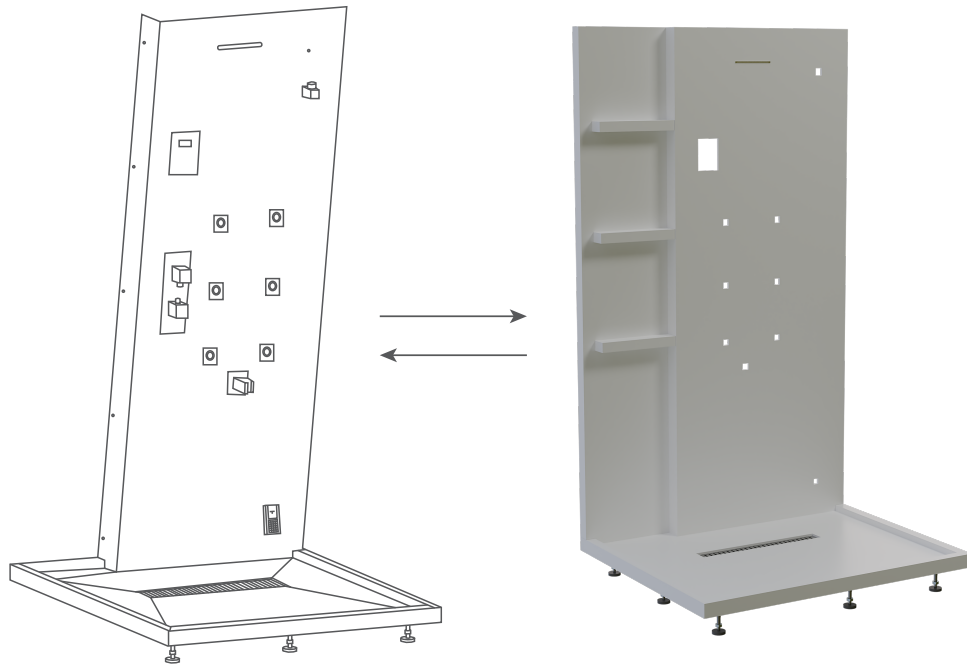
4. Fixing the Drain Connection



* The drain connection pipe is not a part of product kit.



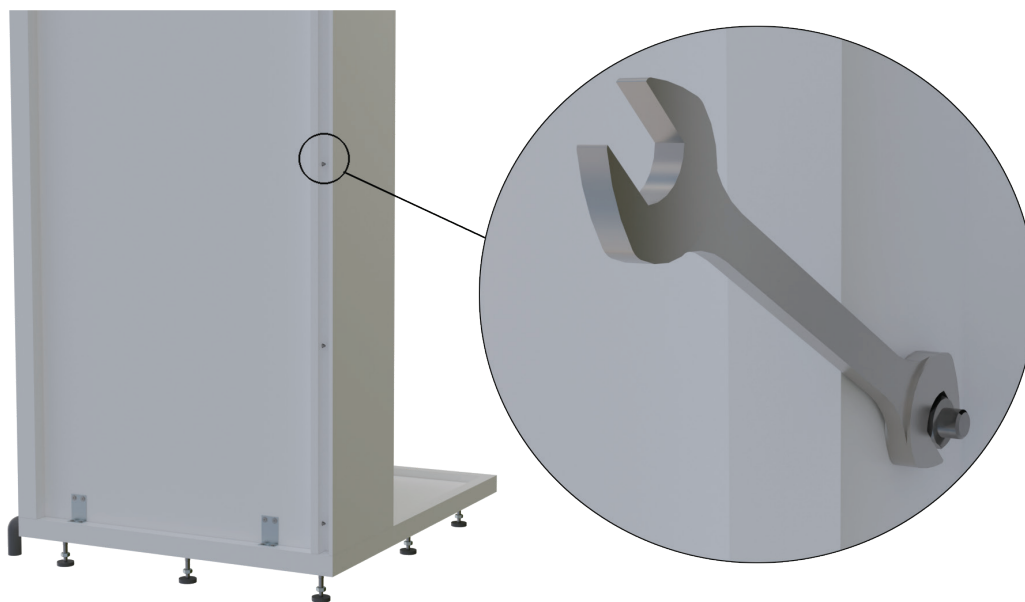
5. Side Wall Fixing Step 3



* Front wall installation & fixing.



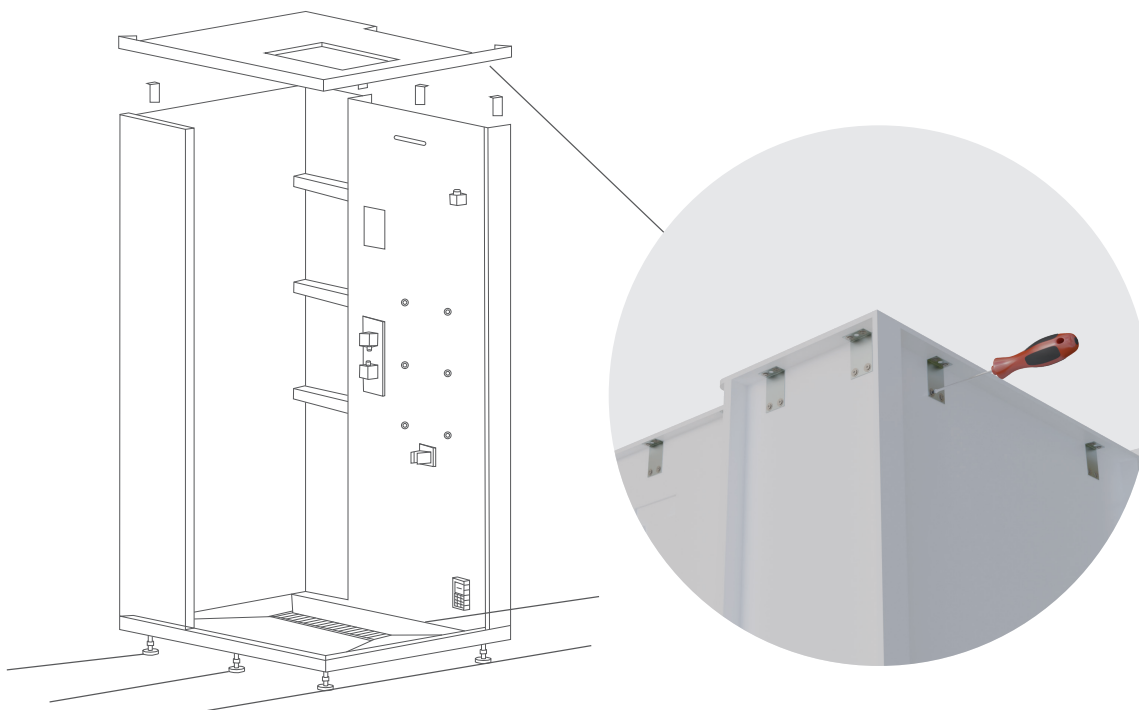
6. Side Wall Fixing Step 4



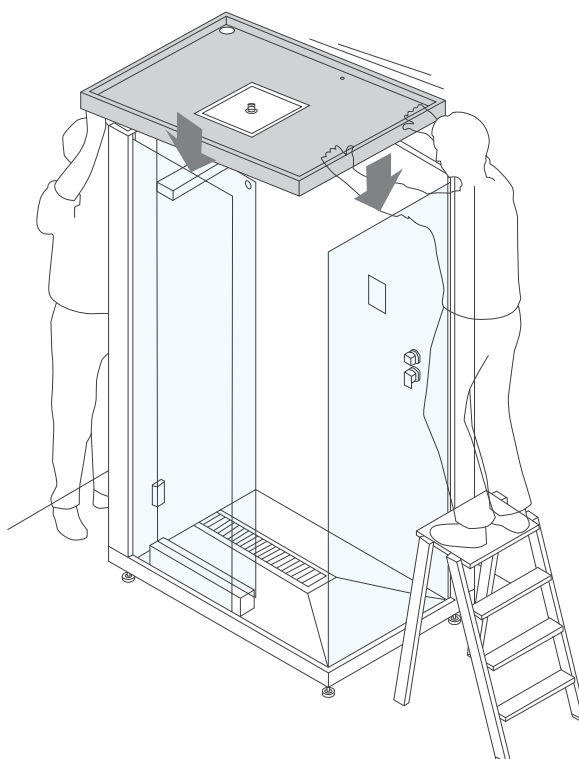
* Fix adjoining side walls using nut & bolt.



7. Roof Panel Fixing Step 5



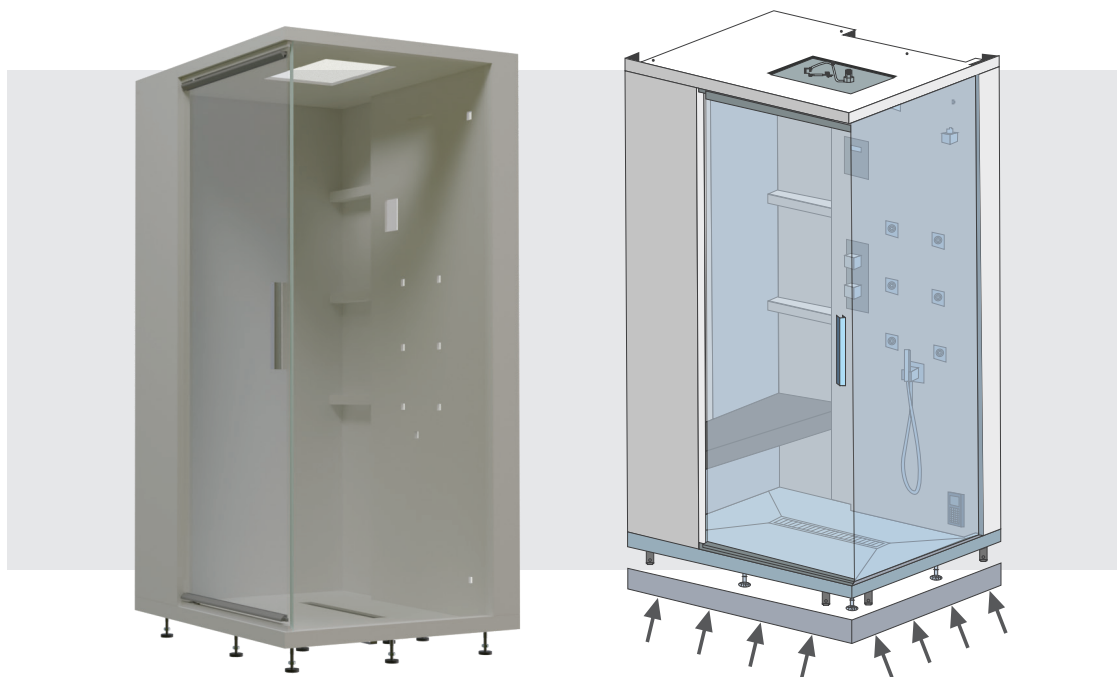
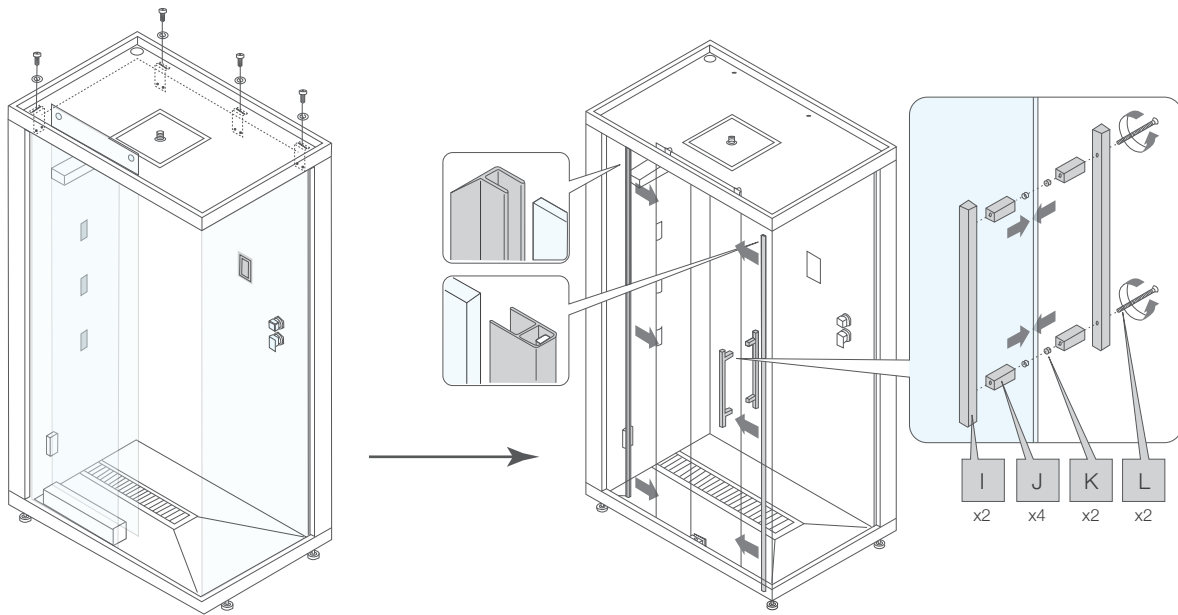
* Fix the shower roof using metal L clamps.



* Two persons are required to install cabin/door roof.



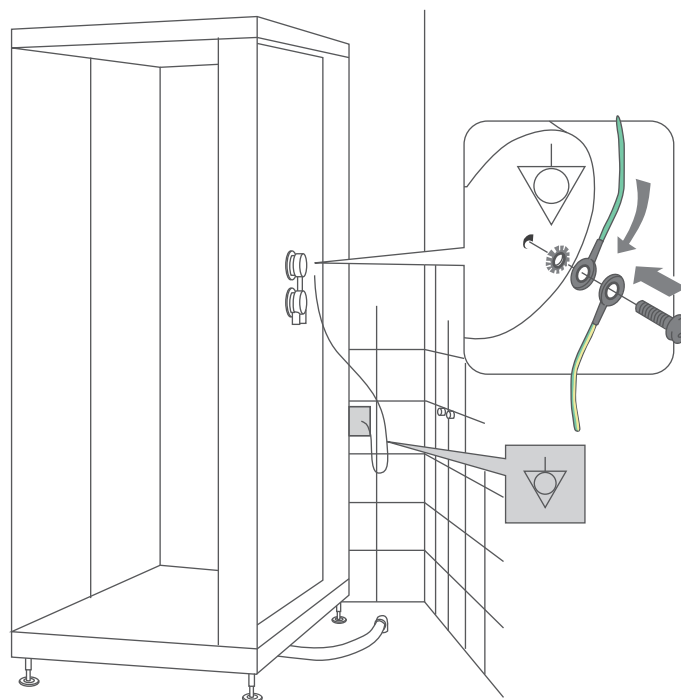
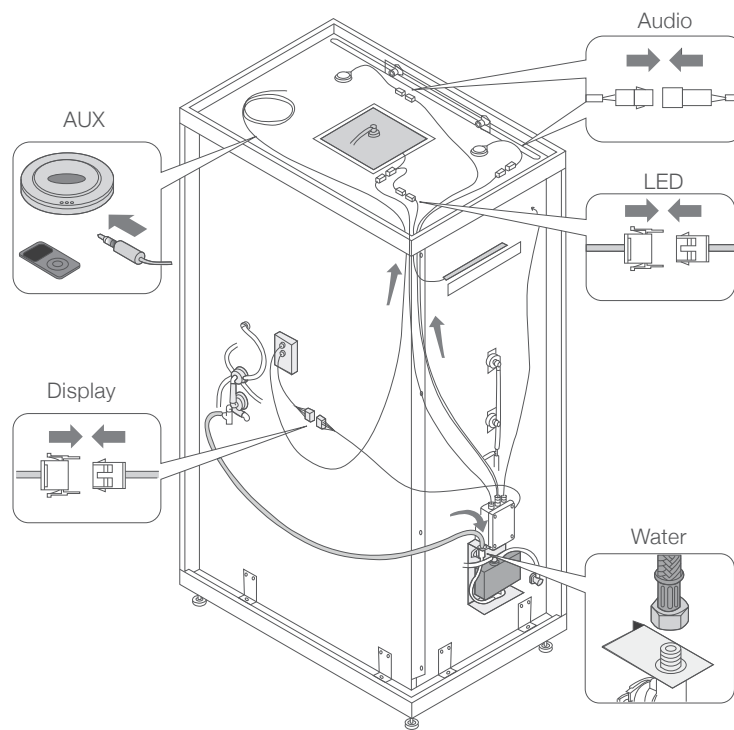
8. Installing Glass Walls & Fixing Cabin Door Step 6



* Cover the shower tray from front / side using ACP slit cover.



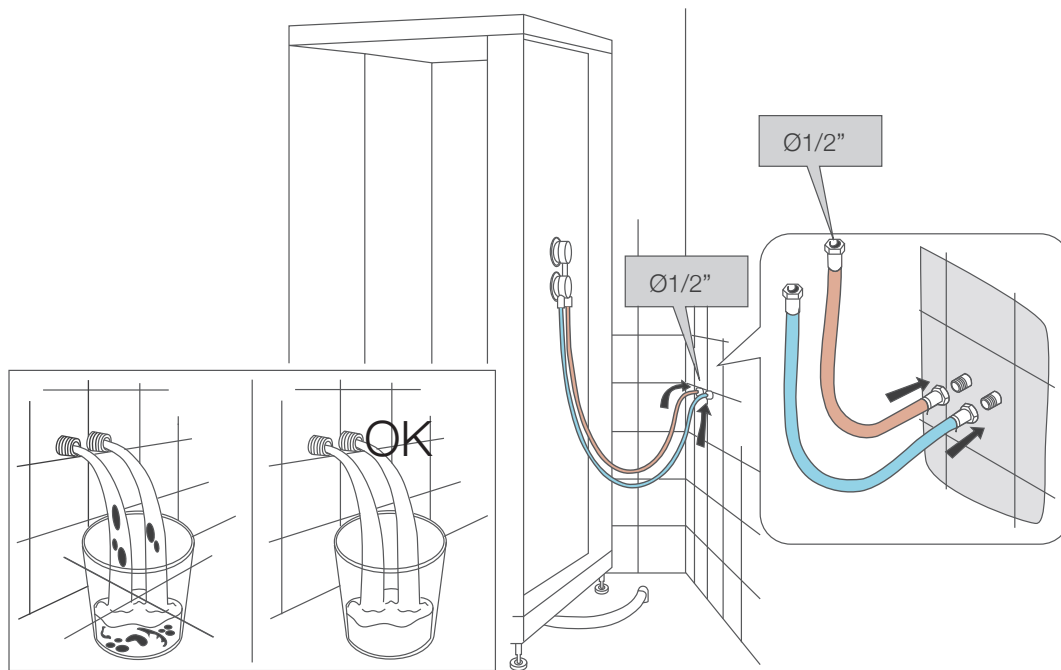
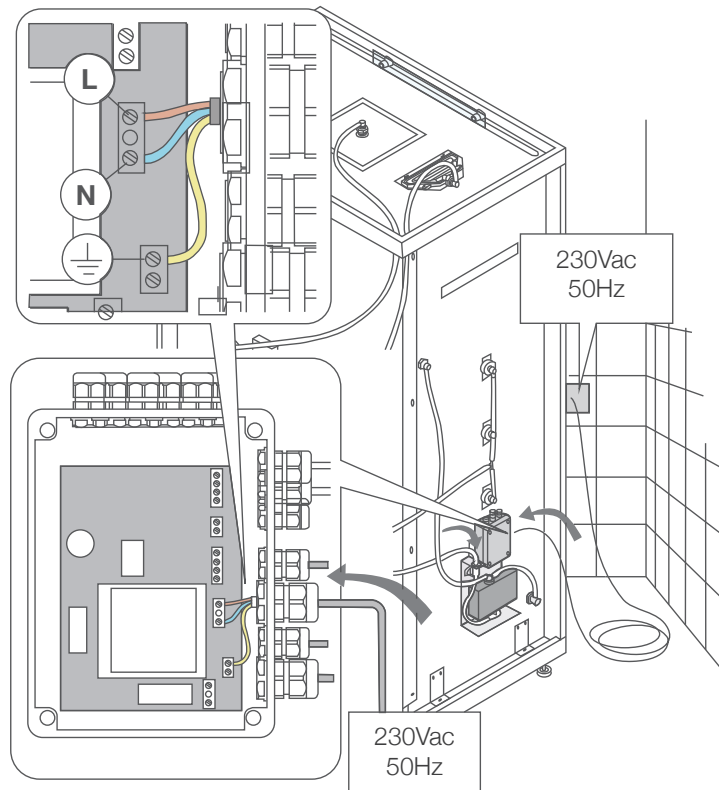
Electric & Plumbing Connections



* Make a proper earth connection for body grounding, is an efficient way of protecting the appliances from electrical hazard.



Main Power Connections



* Check water the water supply before plumbing connection & water supply should be clean / debris free.



Faucet Mixer Features & Maintenance

• Water temperature regulation

Thermatik mixer controls the temperature of the outlet irrespective of the temperature of the water coming in the hot inlet from boilers / geyser.

For Example: If the temperature of hot inlet varies from 40°C to 60°C or vice-versa the temperature of the outlet water will still remain the same as set by the end user.

• Anti-Scald Function

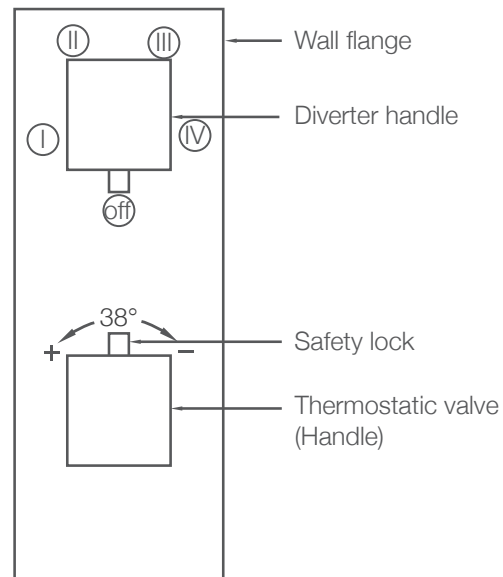
Under the condition of the cold water supply getting cut off and only the hot water supply is available. The thermatik mixer saves the person from burning by blocking the hot water supply.

• Child / Safety Lock

The safety lock on the handle ensures the person does not get burned even due to an accident, since to attain a temperature greater than 38°C, the safety lock has to be pressed and the handle turned anti-clockwise simultaneously.

Functions :

- When the knob points to the 'OFF' position, there is no water supply from outlets
- When the knob points to position "I", the Outlet line-I release water supply
- When the knob points to position "II", the Outlet line-II release water supply. As well as in knob position "III", "IV" and position "V"
- When the knob points in between positions "I" & "II", the Outlet lines-I & II release water supply
- When the knob points in between positions "II" & "III", the Outlet lines-II & III release water supply
- When the knob points in between positions "III" & "IV", the Outlet lines-III & IV release water supply



Maintenance & troubleshooting

Following the below guidelines may be helpful in preserving the look of your newly acquired faucet

1. Chrome surfaces may get damaged by acids, detergents, disinfectants, and metallic cleaning pads.
2. For lime scale or stain removal usage of 'GLITZ' cleaning solution is beneficial.

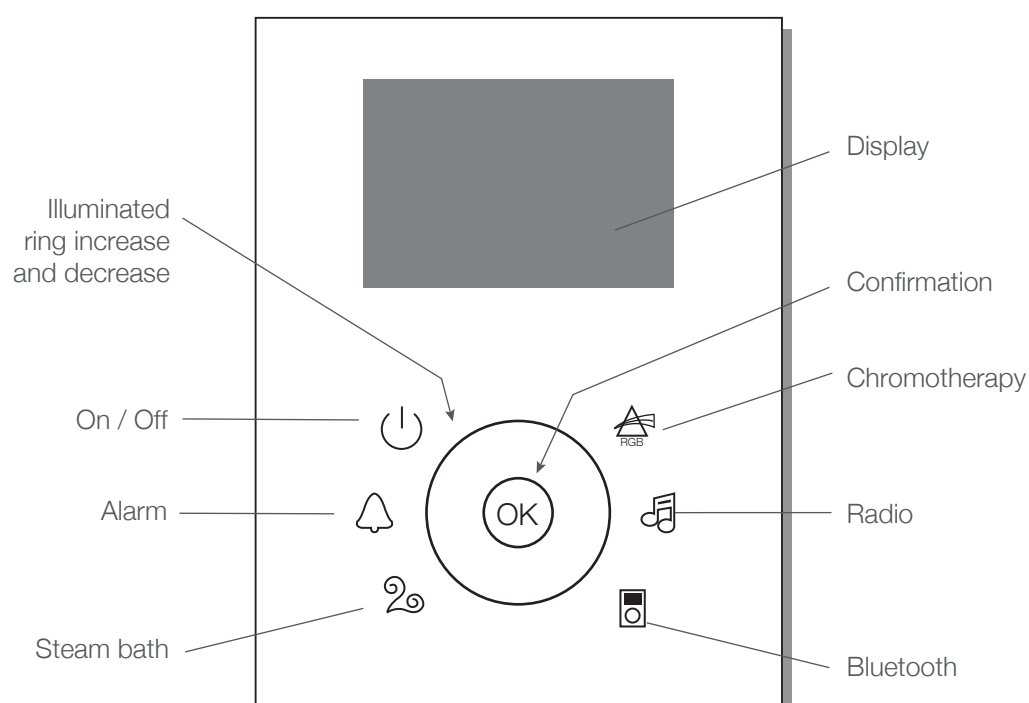


Steam Keypad

Features :

The keypad feature “Touch screen” technology to control 6 functions :

- ON / OFF
- Alarm
- Steam bath
- Chromotherapy
- Stereo FM radio
- Bluetooth



N.B.

In the “TOP” version, the function (with the related symbol) is replaced by the “Whirlpool shower” function.

Illuminated ring :

Increases and decreases the “Values” of the functions. Simply slide a finger inside and move it clockwise or anti-clockwise.

Keyboard

ON / OFF

When the Steam cabin is not in operation, the display and function symbols on the keypad are turned off.

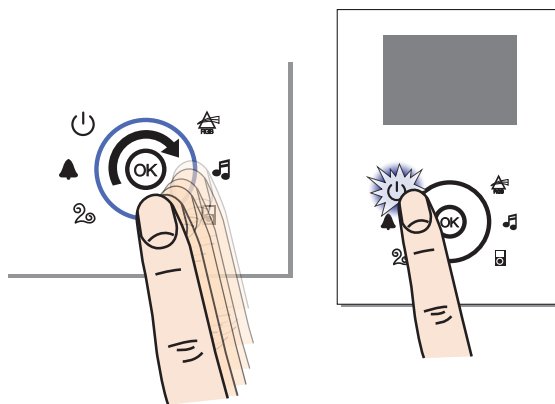
The keypad does however keep a proximity sensor active to detect if a hand is approaching.

- **Wait status (WAIT) :**

When a hand approaches the keypad, only the ON / OFF symbol is turned on.

- **Activity status (IDLE) :**

Touch the ON / OFF symbol to "Activate" the keypad (IDLE status). If no further instructions are provided within the next 2 minutes, the keypad returns to the "Wait" status.

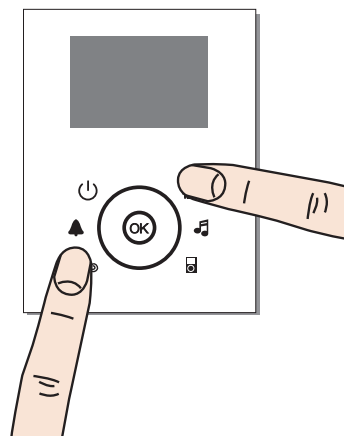


Settings



- **Language selection :**

Touch these "Symbols" together at the same time for a few seconds. The display shows the two language selection flags (Italian or English). Use the Illuminated ring to switch selection from one language to the next. Touch (OK) to confirm your chosen language selection.

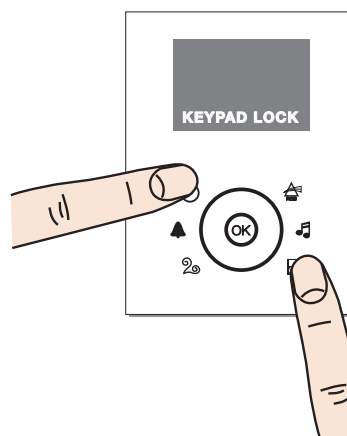


Keypad lock



Touch these "Symbols" together at the same time for a few seconds. The display shows the logo and the text "Keypad lock".

Keypad unlock is to restore keypad use, touch the same "Symbols" together at the same time for a few seconds.



Steam Bath



Touch this “Symbol”. The program starts immediately, using the last duration and temperature settings made.



The display shows :

1. An image of the “Steam bath”
 2. The time left until the left of the program
 3. The related temperature (lowercase)
 4. The programmed temperature (upper case)
- If the radio or chromotherapy is on, the related icons are shown on the display.

N.B. The 2 letters which may appear at the bottom left mean:
W = Waiting for water drain (15 min.) | F = Water drain



Changing parameters :

Touch (OK) on the display. The programmed Temperature begins to flash and you can increase or decrease this value using the Illuminated ring program duration using the Illuminated ring. Touch (OK) to confirm the value set. The Duration value begins to flash. You can increase or decrease this value using the program Duration using the Illuminated ring. Touch (OK) to confirm the value set.

Caution :

If no instructions are given for 10 seconds when changing one parameter, you automatically quit the “Changing parameters” mode.



Cleaning the boiler :

The keypad stores the “Overall” boiler usage time (the total of all the times it was used). If the boiler has been used for over 70 hours, the display prompts you to clean the boiler for 10 seconds (at the start of the “Steam bath”). After 10 seconds, the “Steam Bath” program continues normally but the “Caution” icon remains lit at the bottom right of the display to remind the user to perform “Boiler cleaning” (see cleaning instructions on page 15). To “Reset” the boiler operation time count, simply touch the “ON / OFF” and “Alarm” symbols together at the same time for 5 seconds when the display prompts you to clean the boiler.



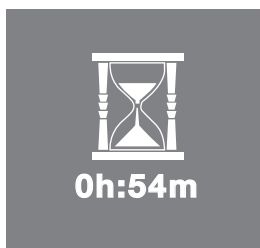
“Boiler Water Level” alarm :

If during a “Steam bath”, the water level in the boiler drops below a minimum level, the program is suspended and the display shows the error.

To reactive, the shower encloses functions, hold your finger over the “Alarm” symbol for 2 seconds.



Steam Bath

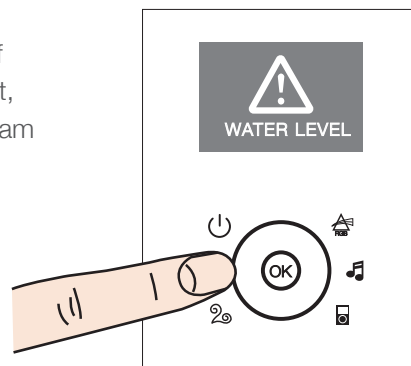


Delayed Start setting :

You can set a “Delay” for the automatic start of the Turkish bath program. Once it has been set, a countdown begins until the start of the program at the programmed temperature and for the programmed duration.

In wait status, hold your finger over the ON/OFF symbol for 5 seconds. The display will show a value that you can change using the Illuminated ring to determine the automatic start of the Turkish bath cycle.

Touch (OK) and you will be prompted for confirmation. Touch (OK) to confirm the “Delayed start”.



Chromotherapy

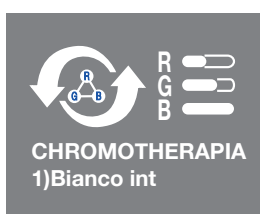


Touch the symbol to start. The “White light” comes on and the display shows that chromotherapy is on. Touch (OK) to start the last chromotherapy program used.



Program selection :

To select another program, touch the “Chromotherapy” symbol. Use the Illuminated ring to browse through the list of programs until you find the desired one. Touch (OK) to start the program.



Switching off :

The light is switched off when you hold your finger over the “Chromotherapy” symbol for 2 seconds.



Program changes :

If you touch the Illuminated ring during a program, the latter is suspended and retains the colour of the light “In use” at that particular moment.

Use the Illuminated ring to modify all colours manually. Touch (OK) again to resume the cycle.



Music Function

FM Radio



Touch this "Symbol". The first time you see the radio, it tunes in to the first frequency.



Frequency storage :

In tuning mode, hold your finger over (OK) for 2 seconds. The display shows a menu: Use the "Illuminated ring" to browse through the programs and select the one on which you wish to store the frequency.

Touch (OK). If you don't touch (OK) for 10 seconds, the device automatically returns to tuning mode.



Program search :

Touch the "Radio" symbol. Browse through the list of programs until you find the desired one and touch (OK).

To switch off the "Radio", hold your finger over the Radio symbol for 2 seconds. Use the "Illuminated ring" to adjust the volume.



Tuning :

Touch (OK). Skim your finger over the Illuminated ring to search for the previous or next station. Once the radio has turned into a channel of your liking, touch (OK) to quit tuning mode.

Bluetooth



Product comes with ready activation feature with power ON.



Caution :

Before using this function, connect with your mobile via Bluetooth and select music or playlist. Use mobile buttons to control volume.



Functions

Alarm



Touch this symbol to enter alarm mode :

1. The display shows the alarm
2. All outputs are inhibited
3. The radio is switched off
4. The Steam bath program stops
5. The white light comes in



To disable alarm mode, touch the symbol for 2 seconds.
The device returns to wait-for mode (WAIT).

Aroma



Essential diffuser :

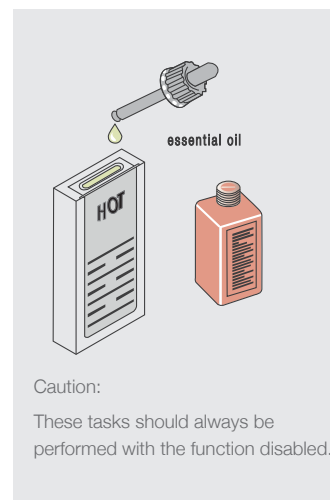
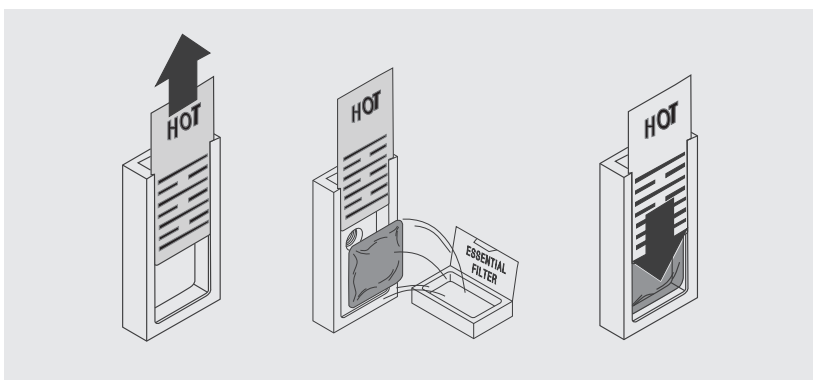
We can add the benefits of Aromatherapy to that of the Steam bath. To make your Steam bath healthier and more enjoyable, you can add essential oils or vegetable essences to the steam; these are dispensed using a purpose-designed "Diffuser". To this end, it is advisable to use entirely natural products.

Essential oils :

If you wish to use essential oils, simply pour a few drops into the purpose-designed tray.
Caution: It is advisable to use a wad of cotton wool (see figure).

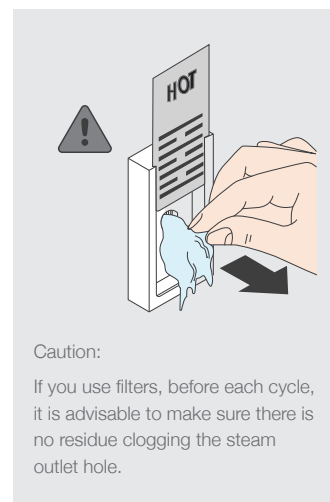
If on the other hand, you have decided to use solid essences, simply pull out the tray from the diffuser and introduce the essences into it, breaking them up into smaller pieces, if necessary, to encourage the penetration of steam and achieve better diffusion (see the correct sequence in the figure).

Now you are ready to receive the soft and scented embrace of steam.



Caution:

These tasks should always be performed with the function disabled.



Caution:

If you use filters, before each cycle, it is advisable to make sure there is no residue clogging the steam outlet hole.



Boiler Maintenance

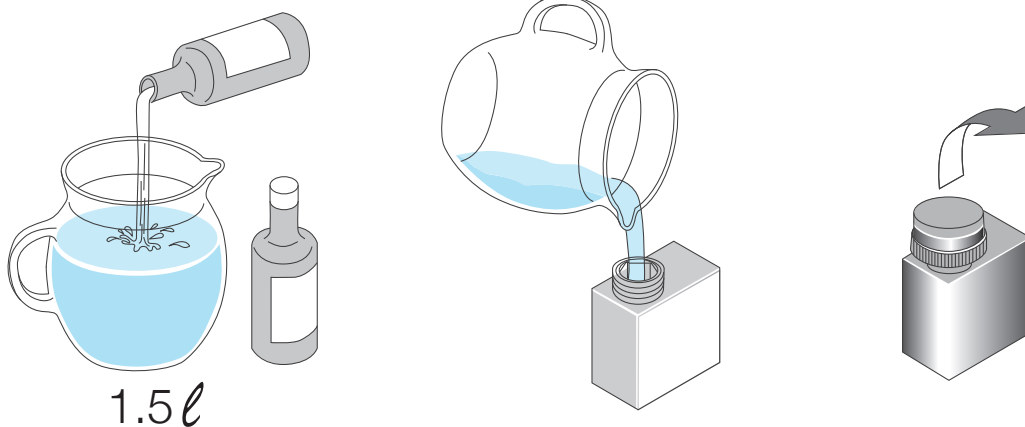
Cleaning the boiler vaporiser

To benefit fully from maximum performance during your Turkish bath, it is highly recommended to clean the steam-generating boiler once a year (or every 30 hours or so of operation).

To clean the boiler, the following is necessary :

- Make sure the appliances are turned off before treatment
- Dilute the bottle of descaler supplied with the shower in 1.5 liters of water
- Allow the solution to rest for approximately 12 hours
- Pour the solution into the boiler along the duct situated on the short side of the shower
N.B. Unscrew the cap and close it (see figure)
- Start the “Turkish bath” and allow it to run for about 5-8 minutes in order to remove any scale residue from the boiler

Descaler :



Caution :

- During operation, always keep the tank cap On completely to avoid harming people and damaging the appliance
- During operation “STAY AWAY” from the steam dispenser

Warranty

Please note that the manufacturer cannot be held accountable for defects caused by external conditions and / or events such as (by way of non-exhaustive example) :

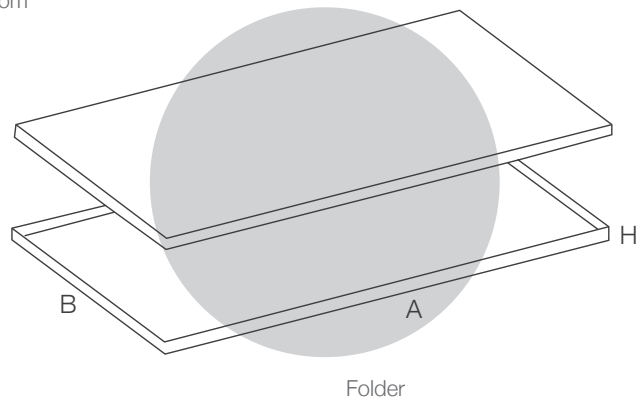
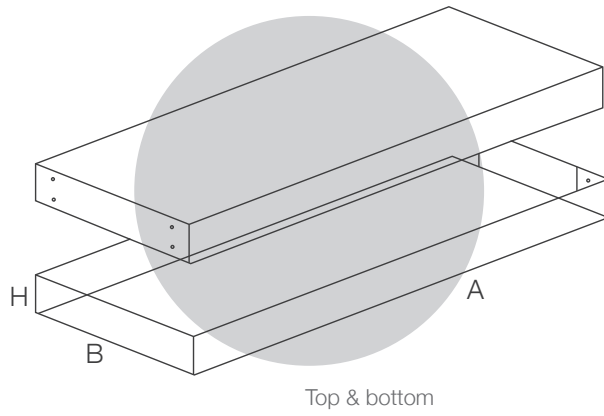
- Insufficient capacity of electrical or plumbing systems
- Incorrect installation and / or maintenance carried out by the unauthorized staff
- Negligence, inability to use, and poor maintenance on the consumer's part, compared to the instructions and recommendations in the product instruction manual, which is an integral part of the sale contract
- The same applies to damage caused to the appliance by atmospheric events and natural disasters (lightning, flooding, fire, earthquakes, etc.) or by acts of vandalism, or circumstances that cannot be ascribed as manufacturing defects

The warranty also does not cover :

- Actions are undertaken to solve problems caused by negligence, accidental breakage, tempering, and / or damage during transportation (scratches, bubbles, dents) when carried out under the consumer's responsibility
- Repairs carried out by unauthorized staff
- Actions for operating demonstration, checks, and routine maintenance work (including cleaning activities) and everything which was brought to the consumer's attention at the time of the sale



Standard Packing Information



Item : Shower cabin 120 ×100					
Box	Box Type	Description	Length (A)	Width (B)	Height (H)
Box 1 of 7	Top & bottom	Front panel	2080	850	200
Box 2 of 7	Top & bottom	Base	1240	1040	165
Box 3 of 7	Top & bottom	Side panel 1+1	2100	920	140
Box 4 of 7	Top & bottom	Top	1240	1240	90
Box 5 of 7	Folder	Front door glass	2030	750	50
Box 6 of 7	Folder	Side glass	2040	1130	20

Notes :

All dimensions are in mm (ID). Unspecified radius is 2.5mm. Please remove sharp edges and burns.



