

INSTALLATION OF THE MACHINE



AFTER OPENING THE BOX, EMPTY THE MACHINE AND LOAD THE MACHINE FROM THE CASE WITH THE HELP OF A FORKLIFT.

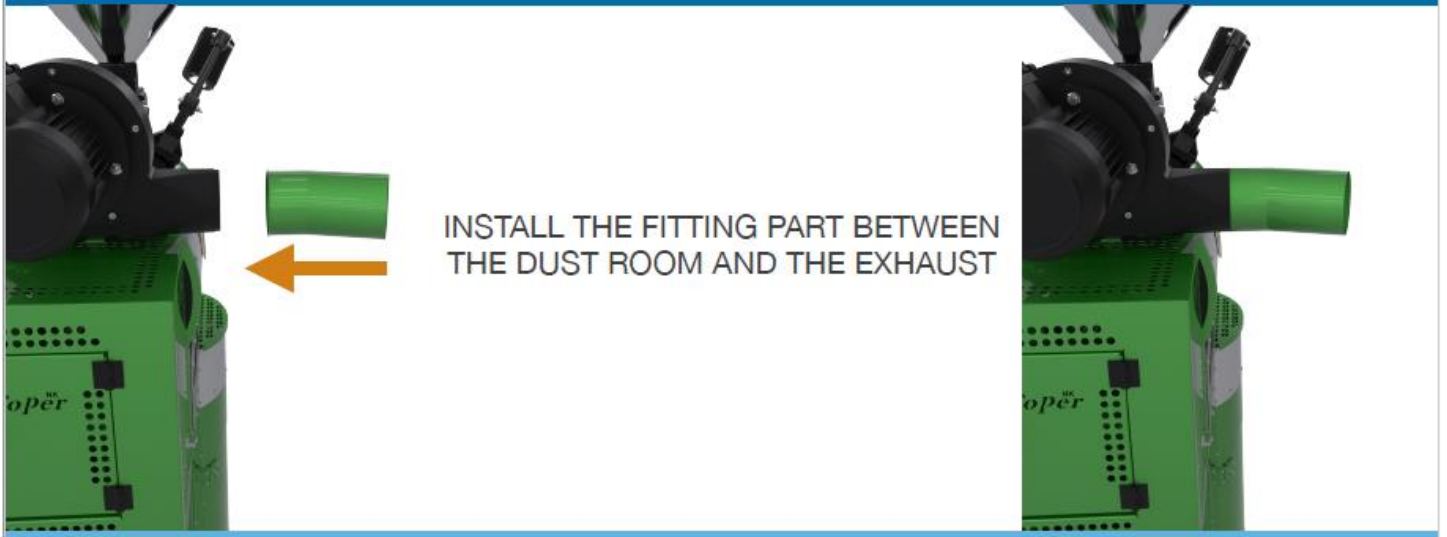
MOVE THE MACHINE TO THE INSTALATION AREA WITH THE ASSISTANCE OF TRANSPALET



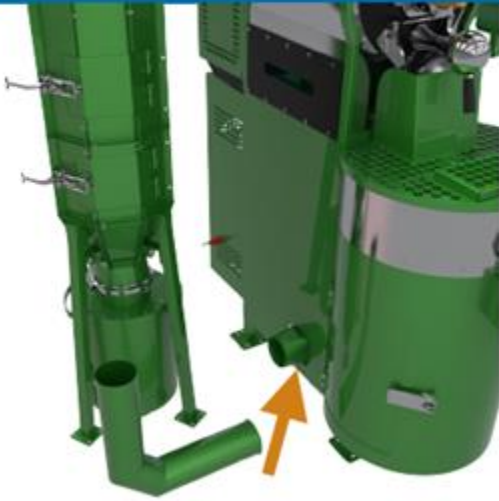
Protect the machine from external impacts and damages during transportation. Take the machine out of its packaging. Check if your machine is damaged. If your machine is damaged, never operate it. Inform your dealer or technical service. Contact the insurance company.

After unpacking your machine, place it on a flat surface. Do not use your machine in environments with high humidity and wetness. Make sure that the storage environment is not wet or humid, even in its packaging.

CHAFF COLLECTOR SET UP



CHAFF COLLECTOR SET UP



FOR CONNECTION OF
COOLER FAN



FIX IT IN PLACE WITH
THE INTERMEDIATE
CLAMP



Install the cooling
chimney independently
from the smoke chimney

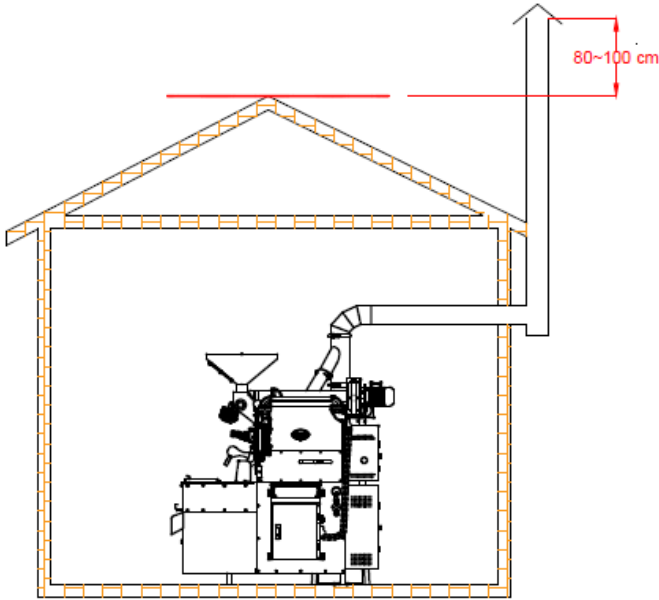




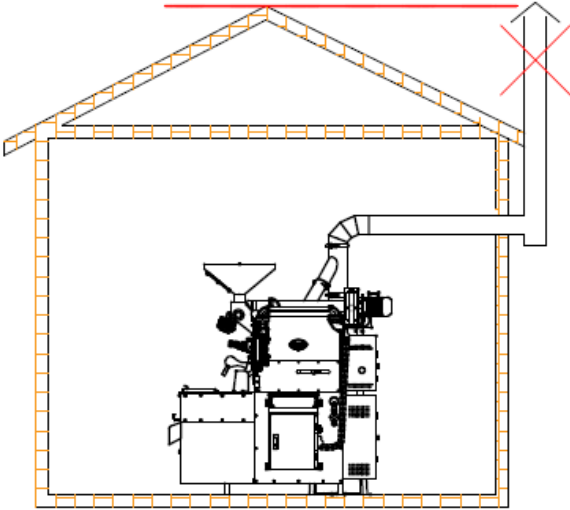
Points to Consider During Chimney Installation

- The flue connection must comply with the pressure rules.
- The flue outlet pipe must be protected from rain, snow, birds and foreign materials.
- It is recommended to cover the chimney outlet with wire to prevent harmful substances from entering the chimney outlet.
 - All flue pipes must be insulated.
- The diameter of the flue connection pipes must not be smaller than the final outlet diameter of the machine's dust chamber. It could be bigger.
- For good chimney draft; Your chimney must be built at a sufficient height. (If it is more than 7-10 meters, It may be necessary to have a suction fan.). For good chimney draft, the chimney outlet must be higher than the existing roof of the building or the neighboring building.
 - It is recommended that the turns of all pipes be oval.

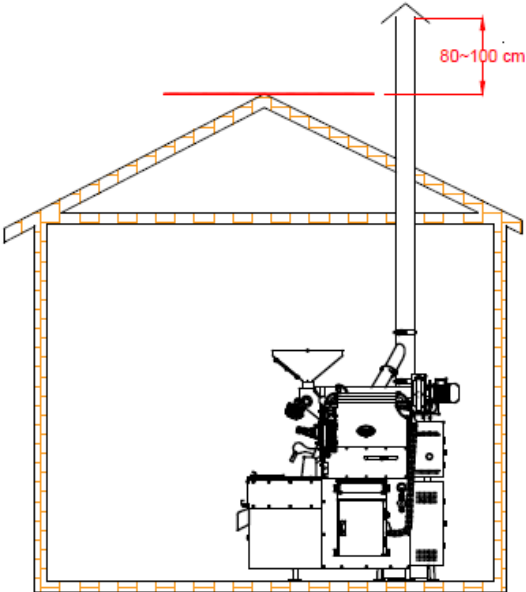
CHIMNEY INSTALLATION



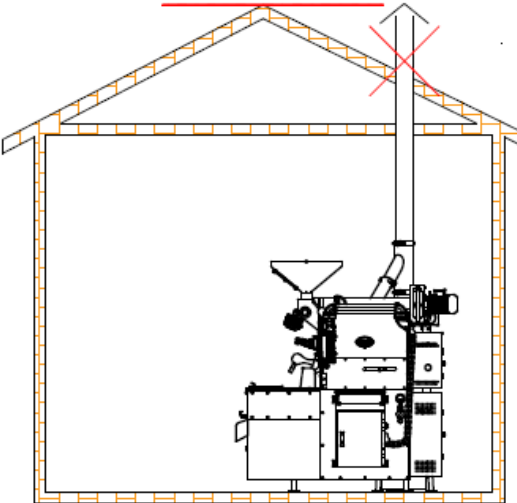
TRUE



FALSE



TRUE



FALSE

FIRE SAFETY INSTALLATION



Water Connection

1/2"

FIRE SAFETY SYSTEM IS FOR EXTINGUISHING A FIRE THAT MAY OCCUR IN THE POWDER ROOM IN AN EMERGENCY.
THE VALVE SHOULD NOT BE OPENED EXCEPT IN AN EMERGENCY.
VALVE MUST BE OPENED MANUALLY IN THE EVENT OF FIRE.

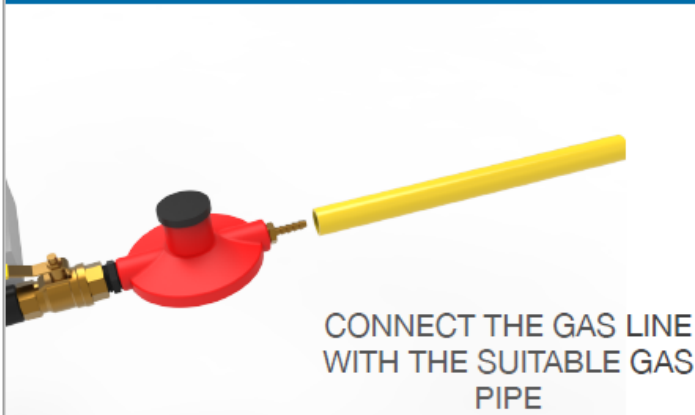
NATURAL GAS CONNECTION

Have the gas installation done by a specialist. Perform gas leakage control with appropriate equipment, never with fire.
Have the gas system serviced every year.
If you operate your machine with natural gas, remember that the gas has no odor.

IF THE MACHINE HAS A GAS LEAK;

- Turn off all gas. • Ventilate the environment by opening doors and windows.
- If the gas leak is severe, leave the place and warn the environment. • Extinguish any open fire.
- Do not use power switches, electrical devices or telephones.
- If the leak is from the machine call the Toper services or if it is on the main supply line, please inform the necessary institutions.

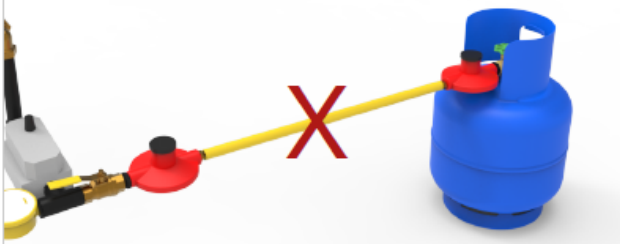
LPG CONNECTION



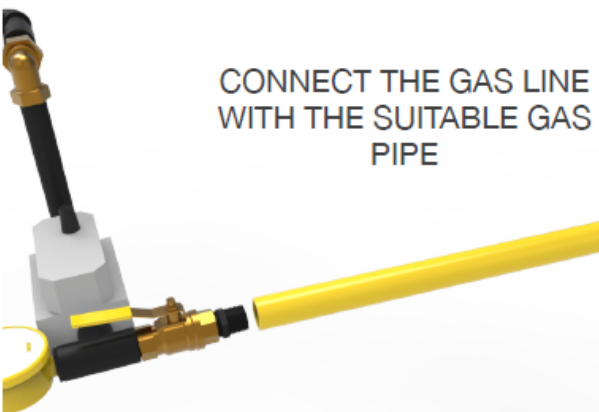
Gas connection (LPG)	5/16"
Gas Consumption	16 KW
	54590 BTU
	13760 KCal
	1,262 Kg/h
Gaz Pressure	32 ~ 35 mbar
Min. Regulator capacity	5 Kg



IF THERE IS A REGULATOR ON THE GAS TANK, REMOVE IT FROM THE SYSTEM. 2 REGULATORS WILL CAUSE THE GAS NOT TO BURN PROPERLY.



NATURAL GAS CONNECTION



Gaz bağlantısı (NG)	1/2"
Gas Consumption	16 KW
	54590 BTU
	13760 KCal
	1,693 m ³ /h
Gas Pressure	21 mbar

ELECTRICAL INSTALLATION



1 Phase Electrical Connection



3 Phase Electrical Connection

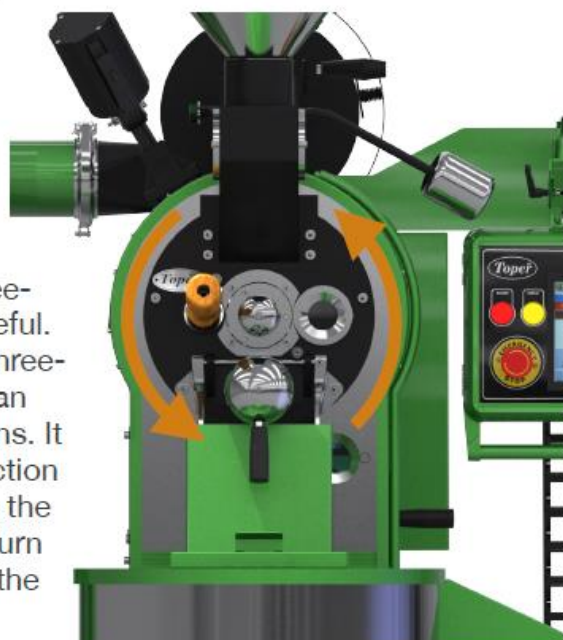
- Please contact an expert electrician for the connection of the socket sent with your machine to the wall or the line.
- In order for your machine to work efficiently and safely, your electrical installation must be new or not worn out.
- The line to be used with the machine must have a ground line.
- Check the cable section of the electrical line where the machine will be operated. It should be in accordance with the Ampere value used by the machine.
- In the event of a fire in the electrical equipment for any reason, first cut off all power. Then use the appropriate type of fire extinguishing equipment (Halon Gas Fire Extinguisher).
- If a malfunction occurs in the electrical system: Cut the electricity from the main fuse. Pull out the power plug. Have your service done by an authorized service.



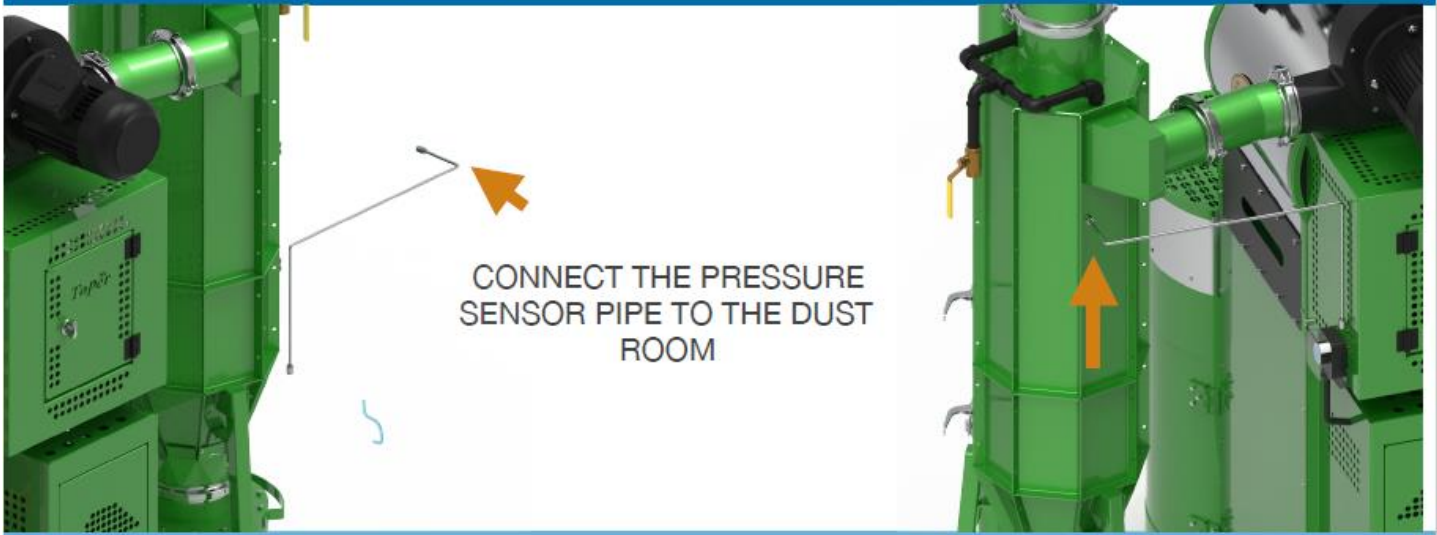
INSTALL THE SUITABLE MAIN SUPPLY LINE FOR YOUR MACHINE WITH AN ELECTRICIAN



While installing the electrical system; If the electrical installation is “Three-Phase”, be very careful. The motors of the “Three-Phase” Machine can rotate in both directions. It should turn in the direction of the ARROW mark on the machine. If it is reversed, turn on the mains plug and swap the L1 and L2 wires.



PRESSURE SENSOR KIT



WHEN THE PRESSURE SENSOR IS CLOGGED IN YOUR FLUE LINE, THE BURNER OF YOUR MACHINE WILL PREVENT THE OPERATION OF THE ROASTER. IF YOU RECEIVE THIS WARNING FROM YOUR MACHINE, CONSULT A CHIMNEY EXPERT.