



H700

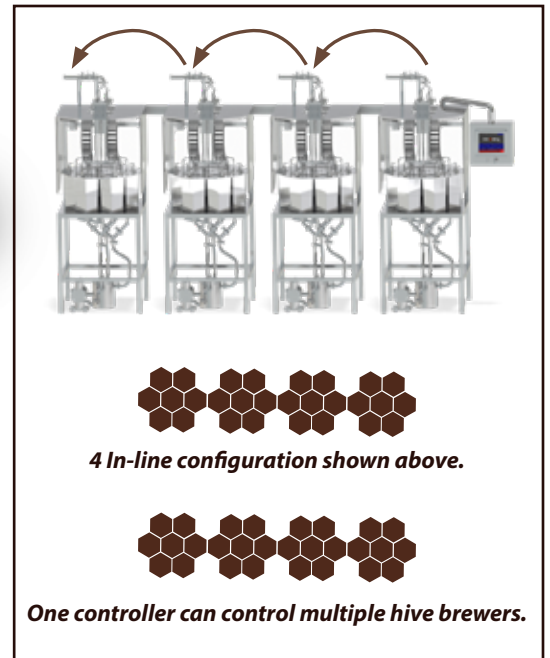
Semi-Automatic Cold Brewing System

7 cells are mounted on the one support frame with a PLC controller & touch screen controls. Pressurized water is metered to each cell. A level sensor mounted over the distribution plate feeds water from the water supply to each cell. The concentrate from each cell is piped to a collection tank.

Once the cells are manually loaded the brewing is automatic.

The HIVE BREW™ System is Easily Expandable

The H700 uses the same brew cells as the H100 and is an automatic seven (4) cell module that can be expanded to 28 cells with one controller. It's a semi-automated production brewer.



More at
www.torrindustries.com/H700

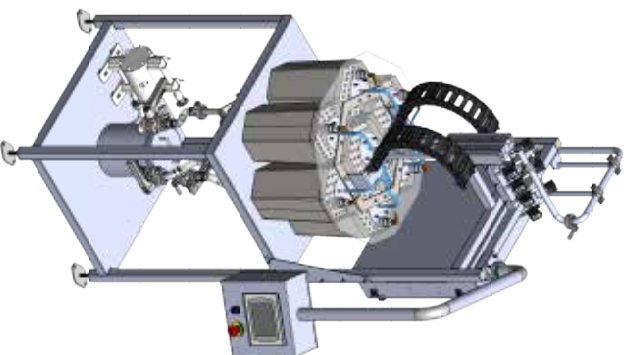
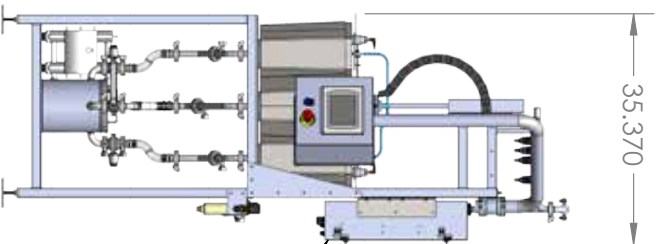
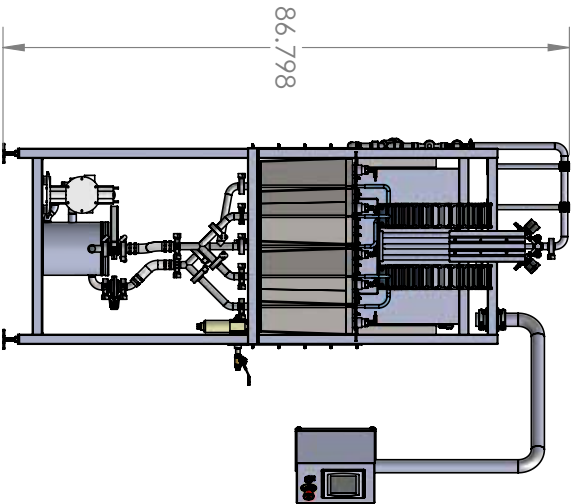
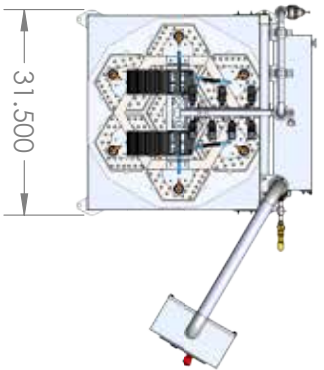
For a quote or more info please contact:

Chris Rutter
TORR Industries, Inc.
chirsr@torrindustries.com
530.247.6909

Tim Orr
TORR Industries, Inc.
timo@torrindustries.com
530.247.6909



The HIVE BREW™ Semi-Automated Systems



ELECTRICAL: 120V/240V/10A
AIR: 90PSI @ 5 CFM
WATER: 20 GPH @ 60PSI

<p>PROPRIETARY AND CONFIDENTIAL THE INFORMATION CONTAINED IN THIS DRAWING IS THE SOLE PROPERTY OF TORR INDUSTRIES. ANY REPRODUCTION IN PART OR AS A WHOLE WITHOUT THE WRITTEN PERMISSION OF TORR INDUSTRIES IS PROHIBITED. PROTECTED BY SEVERAL PATENTS PENDING AND ISSUED.</p>		<p>TOLERANCE: XX ± .01 XXX ± .005 XXXX ± _____ ANGLE ± .50 DEG SURFACE √ 63 RMS</p>		<p>DESIGN</p>		<p>MATERIAL:</p>		<p>COMMENTS:</p>	
<p>UNLESS OTHERWISE SPECIFIED: DIMENSIONS ARE IN INCHES</p>		<p>FINISH:</p>		<p>DO NOT SCALE DRAWING</p>		<p>SCALE: 1:25</p>		<p>WEIGHT:</p>	
<p>5</p>		<p>4</p>		<p>3</p>		<p>2</p>		<p>1</p>	
<p>TORR Industries</p> <p>TITLE: TORR BREW H700 ASSEMBLY</p> <p>SHEET 3 OF 3</p>									



Made in Redding,
California, USA.

For a quote or more info please contact:

Chirs Rutter
 TORR Industries, Inc.
 chrisr@torrindustries.com
 530.247.6909

Tim Orr
 TORR Industries, Inc.
 timo@torrindustries.com
 530.247.6909

