

## CLASSIC DESTONERS

### DESTONERS THAT ACTUALLY WORK!

Our destoners do not require any adjustments for changes in roast or coffee. Most if not all other destoners recommend adjusting the destoner for any change in roast or coffee. Some manufacturers even have long videos on how to adjust their destoners. Then you will not know if you got it right until you hear a loud grown from your grinder or customer.

That is the definition of not working!



- Fluidized separation technology
- Stainless steel construction
- Very quiet operation, under 76db
- Automatic operation
- PLC Control
- HEPA air filter for safety
- Adjustable to match any roaster
- No-spill split hopper
- 4 locking casters



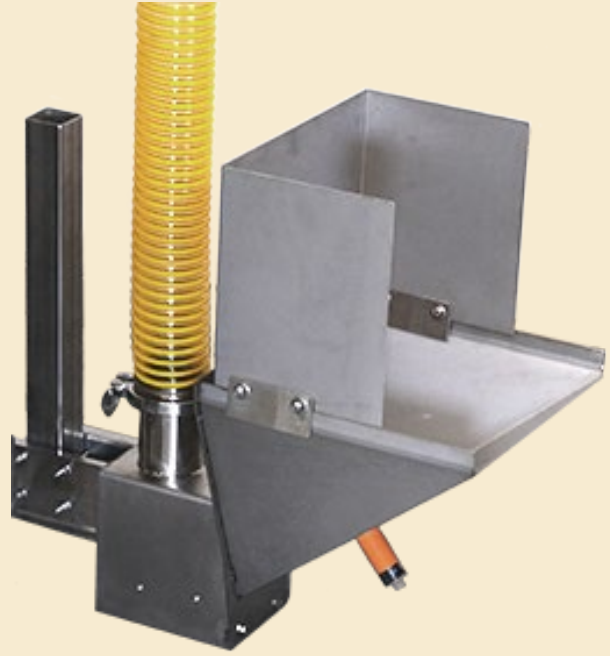
MADE IN AMERICA

## STONE DRAWER

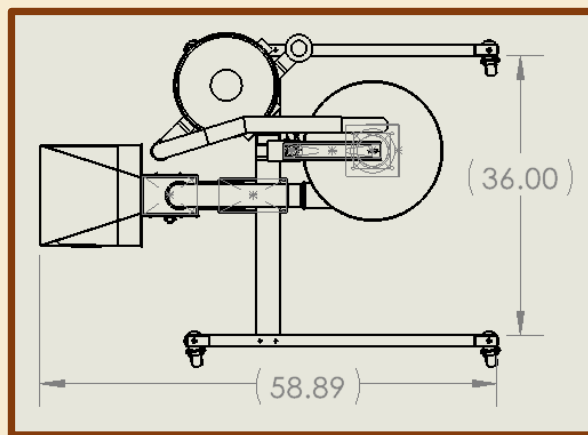
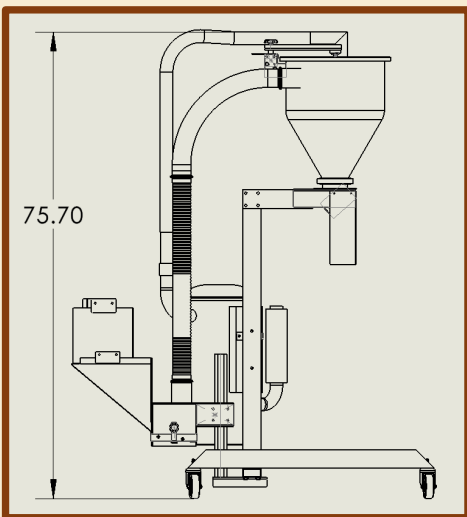


When you are ready to collect your stones, you will find them in the pull-out drawer.

## NO-SPILL HOPPER



The split hopper adjusts to any hopper to avoid spilling beans. You can slide the lower hopper under the cooler outlet and move the top up to the outlet.



**COFFEELOADERS+** 

Advanced Auxillary Equipment, Inc.  
Shacklefords, Va  
800.918.5820, 804.725.1950  
sales@aae-us.com  
Coffeeloaders.com