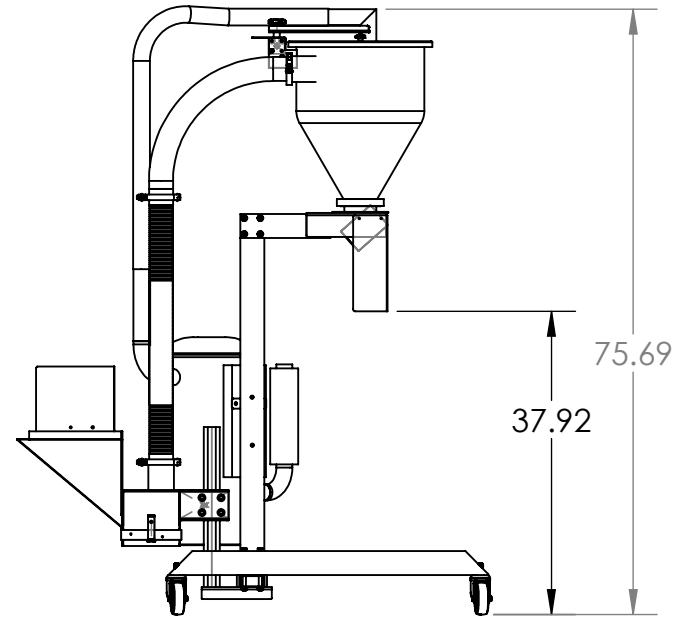
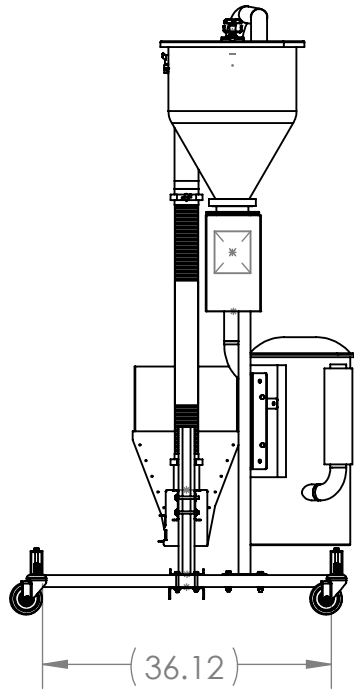


2

1

B

B



A

A

<p>PROPRIETARY AND CONFIDENTIAL</p> <p>THE INFORMATION CONTAINED IN THIS DRAWING IS THE SOLE PROPERTY OF <INSERT COMPANY NAME HERE>. ANY REPRODUCTION IN PART OR AS A WHOLE WITHOUT THE WRITTEN PERMISSION OF <INSERT COMPANY NAME HERE> IS PROHIBITED.</p>	<p>DIMENSIONS ARE IN INCHES</p> <p>TOLERANCES:</p> <p>FRACTIONAL ±</p> <p>ANGULAR: MACH ± BEND ±</p> <p>TWO PLACE DECIMAL ±</p> <p>THREE PLACE DECIMAL ±</p>		<p>DRAWN NAME</p>	<p>DATE</p>	<p>Advanced Auxiliary Equipment, Inc</p>	
	<p>MATERIAL</p>		<p>COMMENTS:</p>		<p>Classic DeStoner, B21</p>	
	<p>DO NOT SCALE DRAWING</p>				<p>SIZE</p> <p>A</p>	<p>DWG. NO.</p> <p>DSC-B</p>
					<p>SCALE: 1:24</p>	<p>SHEET 1 OF 1</p>

2

1