

MT mini UL

OPERATOR'S MANUAL
CARNET D'INSTRUCTIONS
MANUAL DE INSTRUCCIONES



ugolini[®]

GB	4
F	11
E	18

ELENCO RICAMBI - Disponibile in internet all'indirizzo : <http://www.ugolinispa.com/download>

SPARE PARTS LIST - Available on the Internet at : <http://www.ugolinispa.com/download>

LISTE DES PIECES DE RECHANGE - Sur le site Internet à l'adresse : <http://www.ugolinispa.com/download>

ERSATZTEILLISTE - Auf der Internet-Seite : <http://www.ugolinispa.com/download>

DESCRIPCION PIEZAS DE REPUESTO - En el sitio de Internet en : <http://www.ugolinispa.com/download>

This dispenser is manufactured under one or more of the following U.S.patents and/or other pending patents:

Cet appareil est couvert par un ou plusieurs des brevets suivants et/ou autres demandes de brevet déposées:

Este aparato está cubierto por una o varias de las siguientes patentes y/o otras solicitudes de patente ya registradas:

US 2013,0263747 - US 2013,0152620 - US 2013,0098098 - US 2012,0234035 - US 6467,944 - US 5713,214 - US 6546,843 - DE 6010,0684
WO 2012,085692 - WO 2012,032425 - WO 2012,004687 - WO 2013,011078 - EP 2478,774 - EP 1155,622 - EP 0799,575 - EP 1162,168

1 TECHNICAL CHARACTERISTICS

		MT 1 MINI	MT 2 MINI	MT 3 MINI
Transparent removable bowls	n	1	2	3
Capacity of each bowl, approx.	l	6	6	6
Dimensions:				
width	cm	19	36	54
depth	cm	47	47	47
height	cm	65	65	65
Net weight, approx.	kg	22	36	48
Gross weight, approx.	kg	24	39	51
Adjustable thermostats	n	1	2	3
Hermetic compressor				
Air-cooled condenser				
Overload protector				
Noise level lower than 70 dB (A)				



IMPORTANT

Read electrical ratings written on the data plate of the individual units; the data plate is adhered on the dispensing side panel of the unit, just behind the drip tray (the right side drip tray in multiple bowl models). The serial number of the unit (preceded by the symbol #) is adhered inside the left switch box. In the ETC model the serial numbers are located underneath the machine or on the evaporator holder level when the side panels are removed. Data plate specifications will always supersede the information in this manual.

The electric diagram of the dispenser is located in the inner part of the dispensing side panel.

Specifications are subject to change without notice.

2 INTRODUCTION

Please read all sections of this manual thoroughly to familiarize yourself with all aspects of the unit.

Like all mechanical products, this machine will require cleaning and maintenance. Besides, dispenser working can be compromised by operator's mistakes during disassembly and cleaning. It is strongly recommended that personnel responsible for the equipment's daily operations, disassembly, cleaning, sanitizing and assembly, go through these procedures in order to be properly trained and to make sure that no misunderstandings exist.

3 INSTALLATION

1 Remove the corrugate container and packing materials and keep them for possible future use.



IMPORTANT

When handling the machine never grasp it by the bowls or by the evaporator cylinders. The manufacturer refuses all responsibilities for possible damages which may occur through incorrect handling.

2 Inspect the uncrated unit for any possible damage. If damage is found, call the delivering carrier immediately to file a claim.

3 Install the unit on a counter top that will support the combined weight of dispenser and product **bearing in mind what is stated in the preceding point 1 IMPORTANT warning.**

4 A minimum of 15 cm (6") of free air space all around the unit should be allowed to guarantee adequate ventilation.

5 Ensure that the legs are screwed tightly into the base of the machine. Replace the standard legs originally installed with the 100 mm (4") legs whenever they are provided with the unit.

6 Before plugging the unit in, check if the voltage is the same as that indicated on the data plate. Plug the unit into a grounded, protected single phase electrical supply according to the applicable electrical codes and the specifications of your machine. When the unit has no plug, install a proper grounded plug, in compliance with electrical codes in force in your area, suitable to at least 10 Amp 250 Volt (220-230 Volts 50-60 Hz areas) and 20 Amp 250 Volt (100-115 Volts 50-60 Hz areas) applications. Should you prefer to connect the unit directly to the mains, connect the supply cord to a 2-pole wall breaker, whose contact opening is at least 3 mm. Do not use extension cords.



ATTENTION

Failure to provide proper electrical ground according to applicable electrical codes could result in serious shock hazard.

7 The unit doesn't come presanitized from the factory. Before serving products, the dispenser must be disassembled, cleaned and sanitized according to this handbook instructions (chapter 5.3 CLEANING AND SANITAZING PROCEDURES).



IMPORTANT

Install the dispenser so that the plug is easily accessible.

4 TO OPERATE SAFELY

1 Do not operate the dispenser without reading this operator's manual.

2 Do not operate the dispenser unless it is properly grounded.

3 Do not use extension cords to connect the dispenser.

4 Do not operate the dispenser unless all panels are restrained with screws.

5 Do not obstruct air intake and discharge openings: 15 cm (6") minimum air space all around the dispenser.

6 Do not put objects or fingers in panels louvers and faucet outlet.

7 Do not remove bowls, augers and panels for cleaning or routine maintenance unless the dispenser is disconnected from its power source.

8 Do not pour food product inside the dispenser at a temperature higher than 40°C.

5 OPERATING PROCEDURES



ATTENTION

In case of damages, the power cord must be replaced by qualified personnel only in order to prevent any shock hazard.

1 Clean and sanitize the unit according to the instructions in this manual. See chapter 5.3 CLEANING AND SANITIZING PROCEDURES.

2 Fill the bowls with product to the maximum level mark. Do not overfill.

The exact quantity of product (expressed as liters and gallons) is shown by marks on the bowl.

3 In case of products to be diluted with water, potable water, pour water into bowl first, then add correct quantity of product. In case of natural squashes, it is advisable to strain them, in order to prevent pulps from obstructing the faucet outlet.

4 To obtain the best performance and result, use bases designed to be run in Granita freezers. Such bases have a sugar content of 34 degrees Baumé corresponding to 64 degrees Brix.

For soft drinks the bases are to be diluted with more water, on a 1 plus 5/5.5 basis.

In any case follow the syrup manufacturer's instructions for both Granita and soft drink recipes.

If natural juices (e.g. lemon, orange) as well as sugarless products (e.g. coffee) are used, dissolve 150 - 200 grams of sugar per liter.



IMPORTANT

Operate the dispenser with food products only.



IMPORTANT

However Granita mix may be done, its Brix (sugar percent content) must be at least 13.

5 Set the control switches as shown in chapter 5.1 DESCRIPTION OF CONTROLS.

6 Always leave the dispenser on, as the refrigeration stops automatically when Granita reaches the proper thickness. The mixers will continue to turn.

7 If you use the dispenser with milk-based products, never switch it off. When not in use activate the storage function.

5.1 DESCRIPTION OF CONTROLS

The dispenser is equipped with a power switch. In addition each bowl is individually operated by a mixer/refrigeration switch. In fact it is possible to dispense both soft drinks and Granita.

When a bowl is in Soft Drink mode the beverage temperature is controlled by the corresponding thermostat.

When a bowl is in Granita mode the mix viscosity is controlled by the corresponding adjustment screw located in the rear wall of each container (for temperature and viscosity setting make reference to chapter 5.2 OPERATION HELPFUL HINTS).

All the switches are located on the faucet side of the dispenser

in switch panels protected by switch covers (see figure 1).

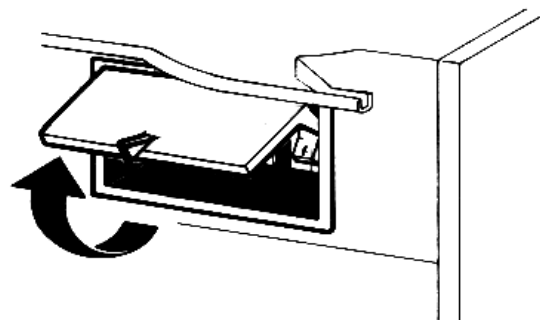


figure 1

With reference to figure 3 dispenser controls functions are as follows:

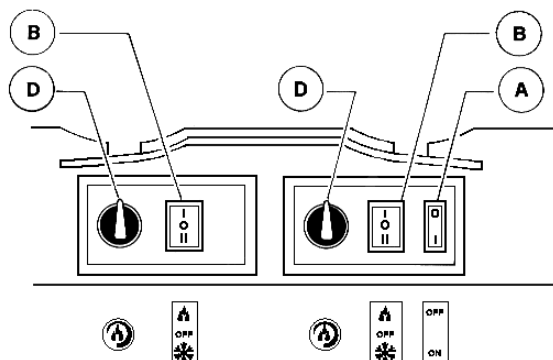


figure 2

Power switch (A)

0 position : power is turned OFF to all functions.

I position : power is turned ON to all functions and the other switches are enabled. The fan motor runs.

Mixer/refrigeration switch (B)

I position : mixer and refrigeration ON.
SOFT DRINK mode.

0 position : OFF.

II position : mixer and refrigeration ON.
GRANITA mode.

Thermostat (D)

Turn clockwise : to decrease temperature

Turn counterclockwise : to increase temperature

To operate the unit:

1 Set the power switch to I position.

2 Set the mixer/refrigeration switches as follows:

- to the I position to get soft drink.

- to the II position to get Granita.

ETC VERSION:

Dispenser controls functions are as follows (see figure 1).

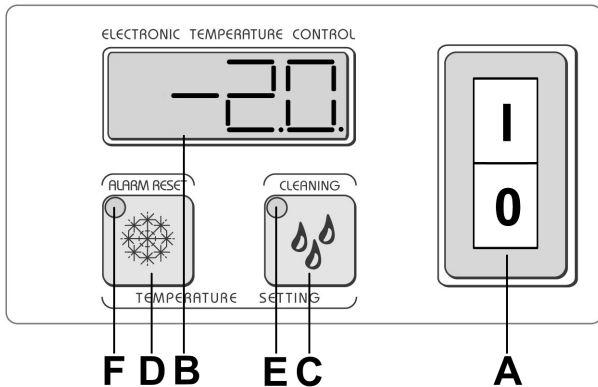


figure 3

Power switch (A)

- 0 position : power is turned OFF to all functions.
- 1 position : power is turned ON to all functions. The fan motor runs. On single bowl machines mixers run too.

Mixer/Refrigeration switches (C) and (D)

- Switch C : if pressed it activates the function 'DRINK'. In this case the (E) led lights up.
- Switch D : if pressed it activates the function 'SLUSH'. In this case the (F) led lights up.

In machines with several tanks, pressing the key relating to the activated operating mode will then make it possible to switch off both mixing and freezing of the corresponding tank. As a result, the mixer will stop and the two indicator lights (E) and (F) will switch off. Pressing one of the two keys (C) or (D) makes it possible to reactivate the corresponding function.

Thermostat (B)

It displays the temperature of product inside the bowl.

Temperature alarm : if the temperature on display flashes, it means that product remained for a certain period at a temperature higher than the max. admitted conservation temperature, and therefore it is necessary to check the product conditions.

Press for three seconds the button (D) to reset the display.



IMPORTANT

If the dispenser is switched on when bowls contain products at a temperature higher than conservation temperature, the display will flash. To have a fixed display, it is necessary to press for three seconds the button (D).



IMPORTANT

Conservation temperature is set at the factory at 4°C.

Cleaning mode: hold down key (C) for three seconds to enable CLEANING mode, during which the display shows "-- --". In this mode, the mixer turns but the cooling is not enabled. This function is useful during machine rinsing, washing and sanitising to prevent the contents of the unit from being cooled. It is nonetheless always possible to quit cleaning mode simply by pressing any key.

Temperature adjustment in DRINK mode: the optimal temperature of drinks (when the dispenser works as a drinks cooler rather than as an ice crusher) is factory set to 4°C. If you

want to adjust the temperature, hold down keys (C) and (D) simultaneously for two seconds. The indicator light (E) and the temperature set will flash and you can adjust it using keys (C) and (D). The display will go blank for a few seconds and then the current temperature will be displayed.

Minimum temperature adjustment in GRANITA mode: you can also adjust the minimum temperature of the product when the dispenser is operating in granita mode. This minimum temperature is factory set to -10°C. If you want to adjust it, hold down keys (C) and (D) simultaneously for two seconds to go into drink temperature adjustment mode and the indicator light (E) will flash. Press keys (C) and (D) for two seconds to go into granita minimum temperature adjustment mode and the indicator light (F) and temperature set will flash. You can adjust the temperature using keys (C) and (D). The display will go blank for a few seconds and then the current temperature will be displayed.

To operate the unit :

- 3 Set the power switch to 1 position
- 4 For each container select :
 - Button (C) to get cold drink (without freezing it)
 - Button (D) to get slush

Cleaning function: during sanitizing operations, it may be useful to have the mixers turning, without cooling. To get this, press for three seconds the button (C) : the display of thermostat will show "-- --"

By pressing any button, the dispenser will get out from cleaning function and will operate normally.

5. 2 OPERATION HELPFUL HINTS

- 1 **Granita viscosity adjustment:** proper Granita viscosity is factory preset. To change the viscosity, if needed, use a standard screwdriver to turn the adjustment screw located in the rear wall of each container as follows (see figure 4):
 - towards right (clockwise) to obtain a thicker product (the indicator F will go down in opening G).
 - towards left (counterclockwise) to obtain a thinner product (the indicator F will go up in opening G).

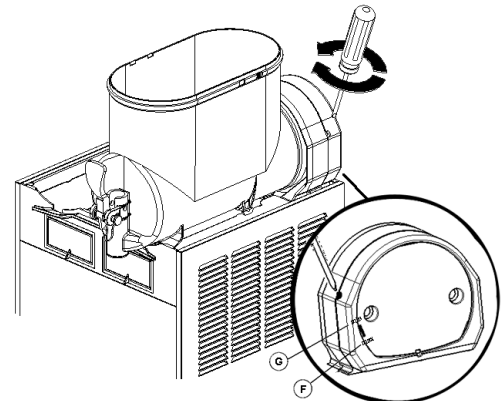


figure 4

- 2 **Beverage temperature adjustment:** proper beverage temperature is factory preset. To reset, turn the knob located in each switch box as follows:
 - towards right (clockwise) to decrease temperature.
 - towards left (counterclockwise) to increase temperature.

Note: beverage temperature is controlled by the thermostat only when the mixer/refrigeration switch(es) are in 1 position, Soft Drink mode.

3 The length of time for freeze down of Granita is governed by many variables, such as ambient temperature, mix initial temperature, sugar content (Brix level) and viscosity setting.

4 To shorten Granita recovery time and increase productivity, it is advisable to pre-chill the product to be used in the dispenser.

5 To shorten Granita recovery time and increase productivity, the bowl should be refilled after the product level drops lower than half of the evaporator cylinder and at the start of each day.

6 For good product conservation the dispenser must run overnight, at least in Soft Drink mode. If this is not possible and product is left in the bowls overnight, the mixer/refrigeration switches must be set to the I position at least one hour before the unit is switched off. This eliminates any block of iced product forming overnight, which could result in damage to mixers or to their motor when the unit is switched back on. In any case, before the unit is restarted, make sure that no blocks of ice have been formed; if so, they are to be removed before the unit is switched on. Overnight operation in drink mode also eliminates possible ice accumulation from condensation all around the bowls.

7 Mixers must not be turned off when frozen product is in the bowl: if not agitated, the product may freeze to a solid block of ice. If the mixers are turned back on in this situation, damage to the mixers and their motor may result. Therefore, mixers may be restarted only after product is melted.

8 The dispenser is equipped with a magnetic coupling by which the gear motor (located outside the bowl) drives the mixers (inside the bowl). The magnetic drive operates as an "intelligent clutch" able to automatically disconnect the mixers in case they are seized by ice or other causes. This inconvenience can be soon noticed since an intermittent dull noise warns that mixers are still. In this case it is necessary to unplug immediately the dispenser, empty the bowl and eliminate the cause of seizing.

9 The dispenser must be able to emit heat. In case it seems excessive, check that no heating source is close to the unit and air flow through the slotted panels is not obstructed by wall or boxes. Allow at least 15 cm (6") of free clearance all around the dispenser. In any case if the product in the bowls is frozen the unit is running properly.

5. 3 CLEANING AND SANITIZING PROCEDURES

1 Cleaning and sanitizing of the dispenser are recommended to guarantee the conservation of the best product taste and the highest unit efficiency. This section is a procedural guideline only and is subject to the requirements of the local Health Authorities.

- 2** Prior to the disassembly and cleaning, the machine must be emptied of product. To do this proceed as follows:
- set the power switch to I position
 - set mixer/refrigeration switch(es) to I position (Soft Drink mode)
 - place a pail under each faucet and drain all product from bowls
 - set all control switches to the 0 position

5. 3. 1 DISASSEMBLY



ATTENTION

Before any disassembly and/or cleaning procedure make sure that the dispenser is disconnected from its power source by unplugging it or switching off the 2-pole wall breaker.

- 1 Remove cover from the bowl.
- 2 Remove the bowl by lifting its faucet side up and off the

fastening hooks (see figure 5) and slide it out (see figure 6).

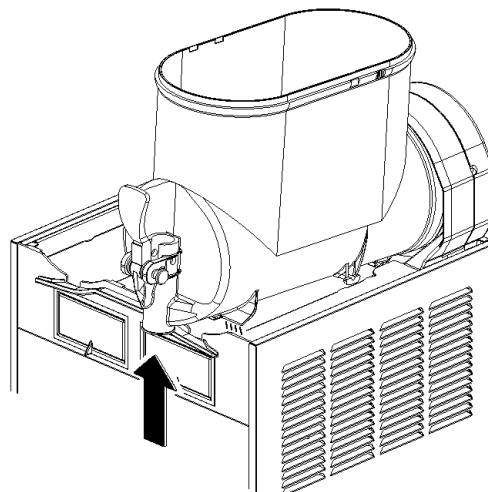


figure 5

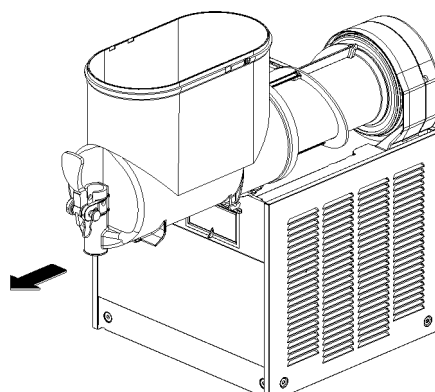


figure 6

3 Slide the outer spiral out (see figure 7) and then Outside magnetic rotor assembly (see figure 8).

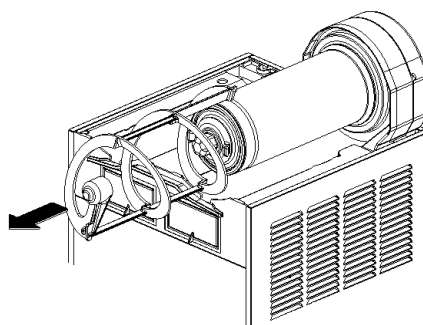


figure 7

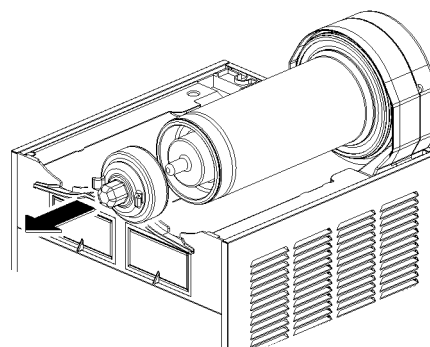


figure 8

- Remove the bowl gasket from its seat (see figure 9).

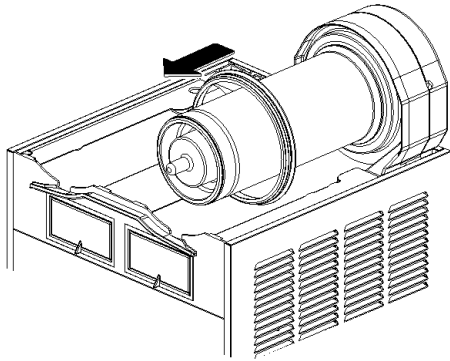


figure 9

- Dismantle the faucet assembly (see figure 10).

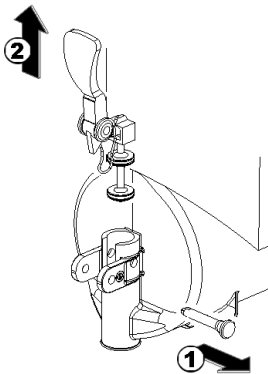


figure 10

- Slide the drip tray out and empty it.

5. 3. 2 CLEANING



IMPORTANT

Do not attempt to wash any machine components in a dishwasher.



ATTENTION

Before any disassembly and/or cleaning procedure make sure that the dispenser is disconnected from its power source.

- Prepare at least two gallons of a mild cleaning solution of warm (45-60 °C 120-140 °F) potable water and dishwashing detergent. Do not use abrasive detergent. Important: if present, follow label directions, as too strong a solution can cause parts damage, while too mild a solution will not provide adequate cleaning.



IMPORTANT

In order to prevent any damages to the dispenser use only a detergent suitable with plastic parts.

- Using a brush, suitable for the purpose, thoroughly clean all

disassembled parts in the cleaning solution.



ATTENTION

When cleaning the machine, do not allow excessive amounts of water around the electrically operated components of the unit. Electrical shock or damage to the machine may result.

- In the same manner clean the evaporator cylinder(s) using a soft bristle brush.
- Rinse all cleaned parts with cool clean water.

5. 3. 3 SANITIZING

Sanitizing should be performed immediately prior to starting the machine. Do not allow the unit to sit for extended periods of time after sanitization.

Sanitization must be performed whenever the distributor is put back into operation with a new product.

- Wash hands with a suitable antibacterial soap.
- Prepare at least two gallons of a warm (45-60 °C 120-140 °F) sanitizing solution (100 PPM available chlorine concentration or 1 spoon of sodium hypochlorite diluted with 2 litres of water) according to your local Health Codes and manufacturer's specifications.
- Place the parts in the sanitizing solution for five minutes.
- Place the sanitized parts on a clean dry surface to air dry.
- Wipe clean all exterior surfaces of the unit. Do not use abrasive cleaner.

5. 3. 4 ASSEMBLY

- Slide the drip tray into place.
- Lubricate faucet piston, outer spiral and outside magnetic rotor (see points A, B and C of figure 11) only with the grease supplied by the manufacturer or other **food grade approved** lubricant.

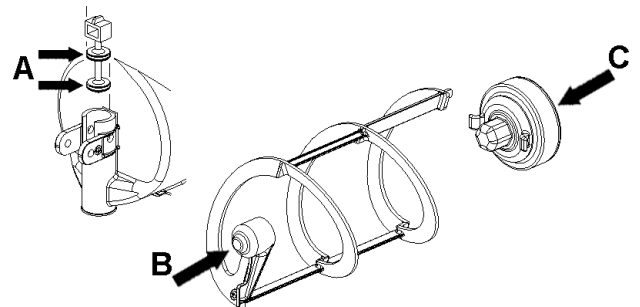


figure 11

- Assemble the faucet by reversing the disassembly steps (see figure 10)
- Fit bowl gasket around its seat. Note: the largest brim of gasket must face against the rear wall

(see figure 12).

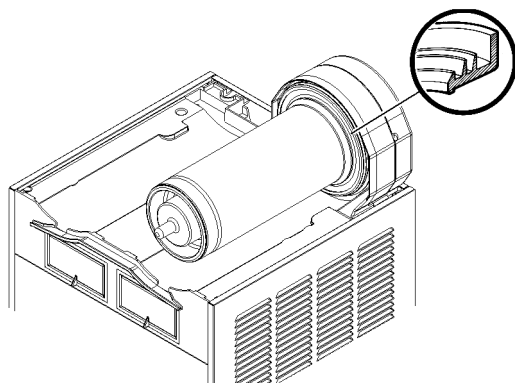


figure 12

5 Insert the magnetic outside rotor in the evaporator taking care to accompany it to the end (see figure 13).

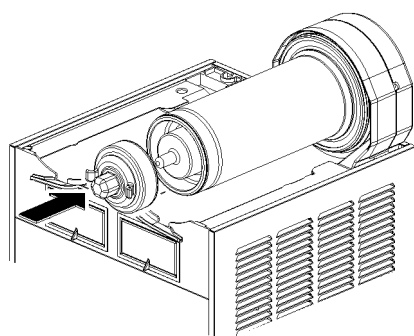


figure 13

6 Install the outer spiral. Slide it over the evaporator until its hexagonal front notch engages with the hexagonal exposed end of the magnetic outside rotor (see figure 14).

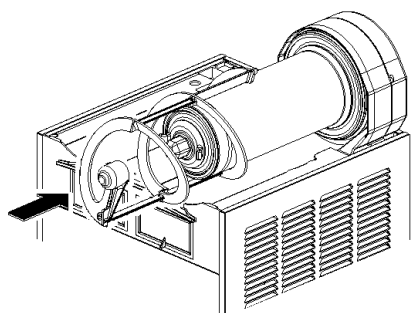


figure 14

7 Push the bowl towards the rear wall of the unit until it fits snugly around the gasket and its front fastening hooks are

properly engaged (see figure 15).

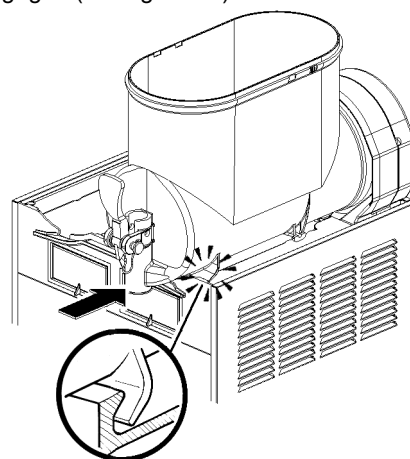


figure 15

8 Use fresh product to chase any remaining sanitizer from the bottom of the bowl(s). Drain this solution. Do not rinse out the machine.

5. 4 IN-PLACE SANITIZATION

The In-Place Sanitization prior to starting the machine may be performed, if needed, only as further precaution, in addition to the Disassembled Parts Sanitization described before, but never in lieu of it.

- 1** Prepare two gallons of a warm (45-60°C, 120-140 °F) sanitizing solution (100 PPM available chlorine concentration or 1 spoon of sodium hypochlorite diluted with 2 liters of water) according to your local Health Codes and manufacturer's specifications.
- 2** Pour the solution into the bowl(s).
- 3** Using a brush suitable for the purpose, wipe the solution on all surfaces protruding above the solution-level and on the underside of the top cover(s).
- 4** Install the top cover(s) and operate the unit. Allow the solution to agitate for about two minutes. Drain the solution out of the bowl(s).
- 5** Use fresh product to chase any remaining sanitizer from the bottom of the bowl(s). Drain this solution. Do not rinse out the machine.

6 ROUTINE MAINTENANCE

- 1 Daily:** inspect the machine for signs of product leaks past seals and gaskets. If proper assembly does not stop leaks around seals or gaskets, check for improper lubrication, worn or damaged parts. Replace parts as needed.
- 2 Monthly on MT 2 MINI and MT 3 MINI models:** remove the dust from the condenser filter.



ATTENTION

Before any disassembly and/or cleaning procedure make sure that the dispenser is disconnected from its power source by unplugging it or switching off the 2-pole wall breaker.



ATTENTION

Condenser fins are very sharp. Use extreme caution when cleaning.

6. 1 MAINTENANCE (TO BE CARRIED OUT BY QUALIFIED SERVICE PERSONNEL ONLY)

Timer).

- 1 Monthly on MT 1 MINI model:** remove the dust from the condenser. To do this unplug the unit or switch off the 2-pole wall breaker and then remove the panels.
- 2 Annually:** remove the panels and clean the inside of the machine including the base, side panels, condenser, etc.
- 3 Annually:** Check if the auger bushings are worn out or ovalized. If they are, replace them with new ones.
- 4** Never remove the insulating jacket from around the suction tubing of the evaporator (the copper tubing located on the right side of gear motor). In case the insulating jacket is missing replace the entire parts with original spare parts from the supplier.
- 5** In order to prevent any damages to the dispenser, all plastics parts must be lubricated only with grease supplied by the manufacturer or with another lubricating product suitable for polycarbonate.

7 DEFROST TIMER

The Defrost Timer, located on the right side of the unit, automatically switches the dispenser from Granita mode to Soft Drink mode and the opposite. This means that during defrost periods frozen Granita will melt to thermostat setting temperature and once defrost period has expired, the product automatically freezes down again to Granita setting viscosity.

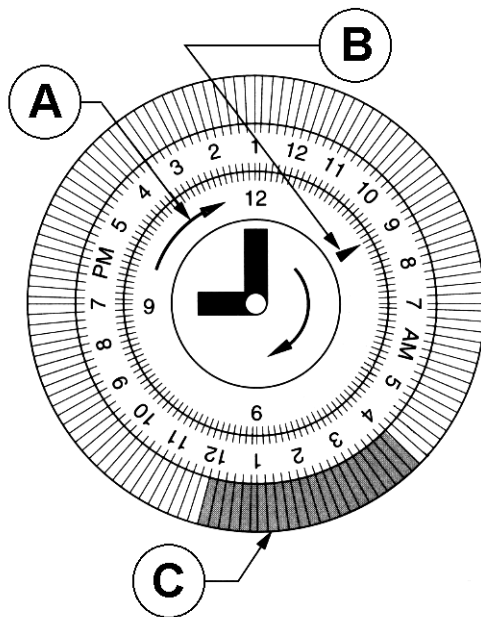


figure 16

To operate the defrost timer proceed as follows (see figure 16).

- 1** Set the time of the day by rotating the dial clockwise (arrow A). **Never rotate the timer counterclockwise** as this would damage the internal mechanism. Align the current time of day with the arrow B on the timer face. This is a 24 hour timer showing both A.M. and P.M.
 - 2** Program the defrost timer by pushing out on the tabs C that correspond to the hours desired to defrost. Each tab represents 15 minutes. A minimum of four to eight hours are required to defrost frozen beverage (depending on ambient conditions).
- Note:** when all the tabs are pushed in the defrost function is OFF (the machine operates as if it were not equipped with Defrost

1 CARACTERISTIQUES TECHNIQUES

		MT 1 MINI	MT 2 MINI	MT 3 MINI
Réservoirs transparents démontables	n	1	2	3
Capacité chaque réservoir, environ	l	6	6	6
Dimensions:				
largeur	cm	19	36	54
profondeur	cm	47	47	47
hauteur	cm	65	65	65
Poids net, environ	kg	22	36	48
Poids brut, environ	kg	24	39	51
Thermostats réglables	n	1	2	3
Motocompresseur hermétique				
Condenseur à ventilation mécanique				
Protège-moteur				
Niveau de bruit inférieur à 70 dB (A)				



IMPORTANT

Caractéristiques électriques: lire les données reportées sur la plaque de chacun des distributeurs; celle-ci est située dans la partie inférieure du panneau frontal, derrière le tiroir égouttoir de droite. Les numéros de matricule des appareils (précédés du symbole #) sont placés à l'intérieur de l'espace contenant les interrupteurs de gauche. Sur le modèle ETC, les numéros de matricule sont situés sous l'appareil ou, après démontage des panneaux latéraux, sur le support de l'évaporateur. Les données reportées sur la plaque sont toujours celles auxquelles il faut se référer.

Le schéma électrique du distributeur est reporté sur la partie interne du panneau du côté robinet.

Nous nous réservons le droit d'apporter des modifications sans préavis.

2 INTRODUCTION

Nous vous conseillons de lire attentivement ce carnet d'instructions afin de connaître toutes les caractéristiques du distributeur.

Comme tous les produits mécaniques, ce distributeur a besoin d'être nettoyé et entretenu. Son bon fonctionnement peut être compromis par d'éventuelles erreurs commises par l'opérateur pendant les phases de démontage et de nettoyage. Il est donc important que les procédures de démontage, lavage, désinfection et remontage, qui sont des opérations quotidiennes, soient connues sans possibilité d'erreur par tout le personnel chargé du distributeur.

3 INSTALLATION

1 Sortir le distributeur de son emballage et garder celui-ci pour toute nécessité future.



IMPORTANT

Pendant les opérations de transport ou de soulèvement, le distributeur ne doit jamais être saisi par les réservoirs transparents ou par les cylindres évaporateurs. Le fabricant ne répond pas des dommages provoqués par ce genre de manoeuvre erronée.

2 Contrôler que le distributeur n'ait pas été endommagé pendant le transport. Si c'est le cas, faire immédiatement une réclamation au transporteur.

3 Placer le distributeur sur un comptoir en mesure d'en supporter le poids, y compris à pleine charge, **en tenant compte de ce qui a été dit dans l'avertissement IMPORTANT du point 1 précédent.**

4 Laisser un espace libre d'au moins 15 cm autour du distributeur pour ne pas empêcher le passage du flux d'air de refroidissement.

5 Contrôler la stabilité de l'appareil en réglant éventuellement les pieds en hauteur. Si le distributeur est fourni avec une série de pieds hauts (environ 100 mm), cette dernière doit remplacer la série d'origine.

6 Avant de brancher le distributeur à l'électricité, contrôler que la tension de réseau est la même que celle indiquée sur la plaque. Brancher le distributeur à un réseau monophasé, en utilisant une prise avec mise à la terre conformément aux normes en vigueur. Si le distributeur est fourni sans fiche, brancher au câble une fiche conforme aux normes en vigueur dans votre Pays, avec broche ou contacts de terre et adaptée pour des courants d'au moins 10 A 250 V (pour les secteurs ayant des tensions de 220V-230V 50-60 Hz) et 20 A 250 V (pour les secteurs ayant des tensions de 100-115 V 50-60 Hz). Pour réaliser un branchement fixe au réseau, brancher le câble à un interrupteur mural de type bipolaire avec ouverture des contacts d'au moins 3 mm. Ne pas utiliser de rallonges pour brancher électriquement l'appareil.



ATTENTION

S'assurer que l'appareil soit correctement branché à la terre; en cas contraire, il y a des risques d'électrocution pour les personnes et d'endommagement pour le distributeur.

7 Quand le distributeur sort de l'usine, il n'est ni prélavé, ni désinfecté. Avant de l'utiliser, il faut le démonter, le laver et le désinfecter en suivant les instructions fournies dans ce carnet au chapitre 5.3 NETTOYAGE.

4 POUR UN FONCTIONNEMENT SANS DANGER

1 Ne pas utiliser le distributeur avant d'avoir lu ce carnet d'instructions.

2 Ne pas utiliser le distributeur s'il n'est pas branché correctement à la terre.

3 Ne pas utiliser de rallonges pour brancher électriquement le distributeur.

4 Ne pas mettre le distributeur en fonction si les panneaux ne sont pas à leur place et bloqués avec des vis.

5 Ne pas faire obstacle au flux d'air de refroidissement; laisser un espace libre d'au moins 15 cm autour du distributeur.

6 Ne pas introduire les doigts ou des objets dans les fissures des panneaux et dans l'ouverture du robinet.

7 Ne pas démonter le réservoir, ni enlever les mélangeurs ou les panneaux pour le nettoyage ou l'entretien sans s'être assuré que le distributeur est débranché de l'électricité.

8 Ne pas verser de produit alimentaire dans le distributeur à une température supérieure à 40°C.

5 MODE D'EMPLOI



ATTENTION

Si le câble est endommagé, il doit être remplacé par le fabricant ou par son service technique ou de toute façon par du personnel qualifié pour éviter tout risque.

1 Laver et désinfecter le distributeur avant de l'utiliser en suivant les instructions fournies dans ce carnet au chapitre 5.3 NETTOYAGE.

2 Remplir les réservoirs avec le produit choisi sans dépasser le niveau maximum indiqué sur les réservoirs. La quantité de produit dans le réservoir (exprimée en litres ou en gallons) est indiquée par les repères se trouvant sur le réservoir.

3 Si l'on désire distribuer des produits concentrés à diluer avec de l'eau, il faut verser l'eau dans les réservoirs et ajouter la quantité nécessaire de concentré en suivant les instructions du fabricant. Si l'on veut utiliser des jus de fruits pressés, il est conseillé de les filtrer afin d'éviter que les parties solides qu'ils contiennent puissent boucher le passage du robinet.

4 Pour obtenir les meilleurs résultats, il est conseillé d'utiliser comme produits de base des sirops expressément préparés pour "granita".

Si l'on désire obtenir une boisson et non une granita, chaque litre de sirop doit être dilué dans environ 5-5,5 litres d'eau (un litre de plus par rapport à ce qui est indiqué pour la granita.

Il est dans tous les cas conseillé de respecter les instructions données par le fabricant de sirops.

Si l'on utilise des produits naturels (par exemple des jus de citron ou d'orange) ou non sucrés (par exemple du café), faire dissoudre 150-200 grammes de sucre dans chaque litre de produit.



IMPORTANT

Utiliser l'appareil seulement avec des produits alimentaires.



IMPORTANT

Dans tous les cas, une fois le mélange effectué, son degré Brix (pourcentage de sucre contenu) doit être supérieur à 13.

5 Agir sur les interrupteurs (voir chapitre 5.1 DESCRIPTION DES COMMANDES).

6 Le distributeur doit toujours fonctionner avec les couvercles montés afin d'éviter une éventuelle contamination du produit.

7 Le distributeur doit fonctionner sans interruption: la réfrigération de chaque cuve s'arrête automatiquement quand le produit est prêt. Les dispositifs de mélange continuent à fonctionner.

8 Si vous utilisez le distributeur avec des produits à base de lait, ne l'éteignez jamais. Lorsque vous ne l'utilisez pas, activez la fonction de stockage.

5.1 DESCRIPTION DES COMMANDES

Le distributeur est équipé d'un interrupteur général. Chaque réservoir est équipé d'un interrupteur permettant de mettre en marche le dispositif de mélange et sélectionner le type de refroidissement du produit. Il est en effet possible d'obtenir soit des boissons froides soit des produits glacés tels que les granitas ou sorbets.

Quand la fonction boisson est sélectionnée, la température de

la boisson est réglée par le thermostat correspondant. Quand la fonction "granita" est sélectionnée, la densité du produit est réglée par la vis de réglage prévue à cet effet, située sur chacune des parois postérieures du distributeur (pour le réglage de la température et de la densité, se référer au chapitre 5.2. SUGGESTIONS).

Tous les interrupteurs sont situés sur la partie frontale du distributeur (côté robinets) et sont protégés par un volet spécial (voir figure 1).

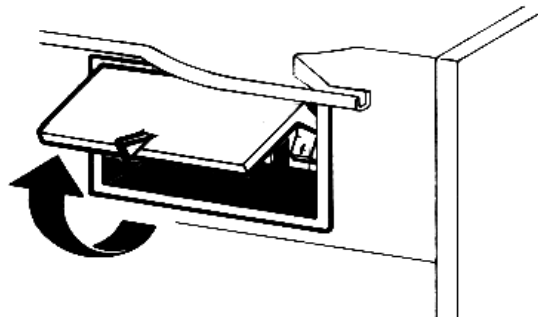


figure 1

Les fonctions des commandes du distributeur sont les suivantes:

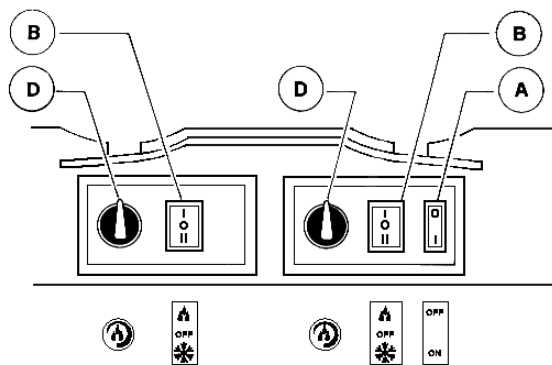


figure 2

Interrupteur général (A)

Position 0 : le distributeur est éteint.

Position I : le distributeur peut fonctionner. Ventilateur en marche.

Interrupteurs mélangeurs et réfrigération (B)

Position I : Mélangeurs et réfrigération en marche. Position BOISSON.

Position O : Mélangeurs et réfrigération éteints.

Position II : mélangeurs et réfrigération en marche. Position "GRANITA".

Thermostat (D)

Rotation de gauche à droite : boisson plus froide.

Rotation de droite à gauche : boisson moins froide.

Pour le fonctionnement du distributeur:

1 Placer l'interrupteur général en position I.

2 Placer l'interrupteur général en position I.

- en position I, si l'on désire refroidir le produit sans le glacer

- en position I, si l'on désire refroidir le produit sans le glacer

VERSION ETC:

Les fonctions des commandes de l'appareil sont mentionnées ci-après (voir figure 1).

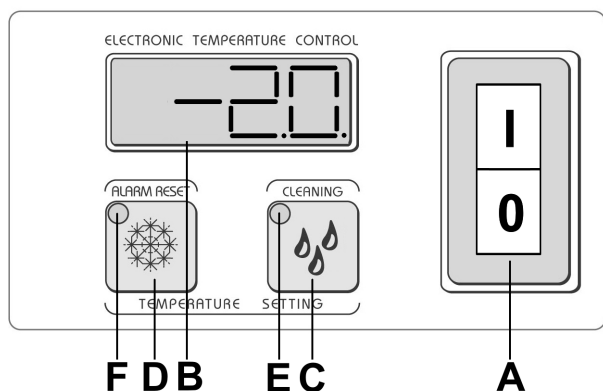


figure 3

Interrupteur général (A)

- Position 0 : le distributeur est éteint.
 Position I : l'appareil est prêt à fonctionner. Le ventilateur est en marche. Sur les machines à une cuve, le mélangeur se met en marche.

Touches mélangeurs et refroidissement (C) et (D)

- Touche C : en l'appuyant elle active la fonction BOISSON. La lampe témoin (E) s'allume
 Touche D : en l'appuyant la fonction GRANITE. La lampe témoin (F) s'allume.

Sur les machines à plusieurs bacs, l'enclenchement de la touche correspondant au mode de fonctionnement actif permet d'éteindre aussi bien le mélangeur que la réfrigération du bac correspondant. Cette action, outre l'arrêt du mélangeur, est confirmée par l'extinction des deux voyants (E) et (F). Enclencher l'une des deux touches (C) et (D) pour réactiver la fonction correspondante.

Thermostat (B)

Le cadrant permet de vérifier la température du produit à l'intérieur de la cuve.

Alarme de température : en fonctionnement normale l'affichage de la température est fixe - si l'affichage de température clignote, cela signifie que la température du produit est restée trop longtemps à une température supérieure à la température max. de conservation et donc qu'il est nécessaire de vérifier l'éventuelle détérioration du produit dans la cuve.

Pour éteindre l'alarme et retourner à l'affichage fixe du cadrant de température, il faut appuyer pendant trois secondes le bouton (D).

**IMPORTANT**

Si l'on démarre l'appareil et que les cuves contiennent du produit à température supérieure à celle de conservation, l'affichage de la température clignotera. Il est de toute façon possible d'éteindre l'alarme et de passer à l'affichage fixe en appuyant pendant 3 secondes sur la touche (D).

**IMPORTANT**

La température de conservation du produit a été réglée en usine à 4°C.

Mode nettoyage : maintenir la touche (C) enfoncée pendant

trois secondes pour activer le mode NETTOYAGE pendant lequel "--" apparaît sur l'afficheur. Dans ce mode, le mélangeur tourne, mais le refroidissement n'est pas activé. Cette fonction est utile pendant le rinçage, le lavage et l'assainissement de la machine pour éviter que ce qui se trouve dans le conteneur ne refroidisse. Il est toujours possible de quitter le mode nettoyage en appuyant sur n'importe quelle touche.

Réglage de la température en mode BOISSON : la température idéale des boissons (lorsque le distributeur fonctionne comme réfrigérateur pour boissons et non pour la fabrication de granité) est réglée en usine sur 4°C. Pour modifier la température, maintenir enfoncées simultanément pendant deux secondes les touches (C) et (D). Le témoin (E) et la température commencent à clignoter, il est alors possible de régler la température à l'aide des touches (C) et (D). Après quelques secondes d'attente, la température s'affiche à nouveau sur l'écran.

Réglage de la température minimale en mode GRANITE : il est possible de régler la température minimale du produit lorsque l'appareil fonctionne en mode granité. La température minimale est réglée en usine sur -10°C. Pour la modifier, maintenir enfoncées simultanément pendant deux secondes les touches (C) et (D) et entrer en mode de réglage de la température boisson. Le témoin (E) commence à clignoter. Ensuite appuyer à nouveau sur les touches (C) et (D) pendant deux secondes pour entrer en mode de réglage de la température minimale granité, la température et le témoin (F) commencent à clignoter. Régler la température à l'aide des touches (C) et (D). Après quelques secondes d'attente, la température s'affiche à nouveau sur l'écran.

Pour faire fonctionner le distributeur :

3 Placer l'interrupteur général en position I

4 Sélectionner à l'aide des touches (C) et (D) le mode de fonctionnement désiré :

- Touche (C) : fonction boisson fraîche
- Touche (D) : fonction granité

Fonction lavage : pendant le nettoyage de l'appareil, il peut être nécessaire de faire marcher seulement le mélangeur, sans activer la réfrigération. Pour pouvoir utiliser le mélangeur sans activer la réfrigération, appuyer pendant trois secondes la touche (C) : sur l'affichage de la température on peut voir "--". Par la suite afin de remettre en fonctionnement l'appareil il suffit d'appuyer sur n'importe quelle touche, le distributeur sort de la fonction 'lavage' et reprend son fonctionnement normal.

5. 2 SUGGESTIONS

1 Réglage de la densité: la densité optimale de la granita a été réglée en usine. Si l'on désire modifier cette densité, tourner avec un tournevis la vis de régulation densité située dans chacune des parois postérieures du distributeur (voir figure 4):

- vers la droite (sens des aiguilles d'une montre) pour obtenir une granita plus dense (le repère F dans le regard G se déplacera vers le bas);
- vers la gauche (sens inverse des aiguilles d'une montre) pour obtenir une granita moins dense (le repère F dans le regard G se déplacera vers le haut).

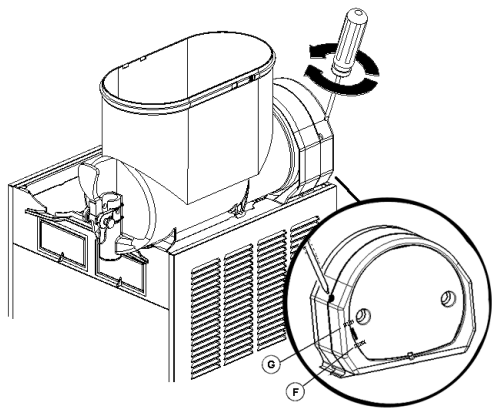


figure 4

2 Réglage de la température: la température optimale de la boisson (pour le fonctionnement du distributeur comme réfrigérateur de boissons au lieu de distributeur de granita) est réglée en usine. Si l'on désire modifier cette température, il faut tourner la poignée située dans chaque boîte porte-interrupteurs:

- vers la droite (sens des aiguilles d'une montre) pour obtenir une boisson plus froide;
- vers la gauche (sens inverse des aiguilles d'une montre) pour obtenir une boisson moins froide.

Remarque: Le réglage de la température de la boisson ne produit un effet que quand l'interrupteur mélangeurs et réfrigération est en position Boisson.

3 Le temps nécessaire pour obtenir la réfrigération du produit varie en fonction de différents facteurs comme par exemple la température ambiante, la température initiale du produit, le sucre contenu (degré Brix) et le réglage de la densité.

4 L'efficacité du distributeur peut être augmentée en versant dans les réservoirs du produit pré-raffroidi.

5 Pour diminuer encore les temps de refroidissement et augmenter ainsi l'autonomie du distributeur, rajouter du produit dans les réservoirs quand le niveau est descendu à la moitié.

6 Pour garantir une bonne conservation du produit, le distributeur doit fonctionner également pendant la nuit, au moins en position Boisson. Si cela n'est pas possible et les produits restent dans les réservoirs alors que le distributeur est éteint, il est conseillé de placer les interrupteurs mélangeurs et réfrigération en position I une heure avant d'éteindre l'appareil afin d'éviter la formation de blocs de glace ou de croûtes de glaces. Ceux-ci risqueraient en effet d'endommager les dispositifs mélangeurs. Si des blocs de glace devaient tout de même se former, ils devront toujours être enlevés avant que l'appareil ne soit remis en marche. Le fonctionnement nocturne en position Boisson élimine également le risque que de la glace se forme (à cause de la condensation de l'humidité atmosphérique) à l'extérieur des réservoirs.

7 Ne jamais arrêter les mélangeurs quand il y a de la granita dans les réservoirs; si celui-ci n'est pas mélangé, il risque de former un unique bloc de glace. Si l'on fait repartir les mélangeurs dans ces conditions (sans attendre que la glace fonde), ils pourraient s'endommager.

8 Le distributeur est équipé d'un joint magnétique pour la transmission du mouvement aux mélangeurs. Afin d'éviter que l'appareil ne soit endommagé en cas de blocage des mélangeurs à cause de blocs de glace ou autre à l'intérieur du réservoir, le joint magnétique interrompt automatiquement la transmission du mouvement.

Cette situation est reconnaissable car, en plus du blocage des mélangeurs, un bruit intermittent est émis par l'appareil. Il faut, dans ce cas, arrêter immédiatement le distributeur, vider le réservoir concerné et éliminer la cause du blocage.

9 Chaque distributeur de ce genre doit émettre de la chaleur. Cependant, si cette émission semble excessive, il faut contrôler qu'aucune source de chaleur ne se trouve près du distributeur et, en particulier, près des panneaux munis de grilles. S'assurer également que le passage du flux d'air ne soit pas empêché par la proximité de murs, boîtes ou autres. Laisser au moins 15 cm d'espace libre autour du distributeur. Dans tous les cas, quand le produit à l'intérieur des réservoirs est froid, on peut être certains que tout fonctionne normalement et que la chaleur

émise ne crée pas de dommages.

5.3 NETTOYAGE

1 Le nettoyage et le lavage sont fondamentaux pour garantir la parfaite conservation du goût de la boisson et l'efficacité maximale de votre distributeur. Les procédures décrites ci-après doivent être considérées comme étant de caractère général et elles peuvent varier en fonction de la réglementation sanitaire en vigueur.

2 Avant d'être démonté pour le lavage, le distributeur doit être vidé du produit. Procéder de la manière suivante:

- placer l'interrupteur général en position I
- placer les interrupteurs mélangeurs/réfrigération en position I
- positionner un récipient sous chaque robinet et vider les réservoirs
- placer tous les interrupteurs en position 0

5.3.1 DEMONTAGE

Avant de procéder au démontage d'un composant, il faut toujours débrancher électriquement l'appareil en enlevant la fiche de la prise ou en éteignant l'interrupteur externe mural.

1 Enlever le couvercle du réservoir.

2 Démontez le réservoir en poussant légèrement sa partie inférieure (côté robinet) vers le haut pour en libérer les crochets inférieurs (voir figure 5) et en le faisant ensuite glisser par l'avant (voir figure 6).

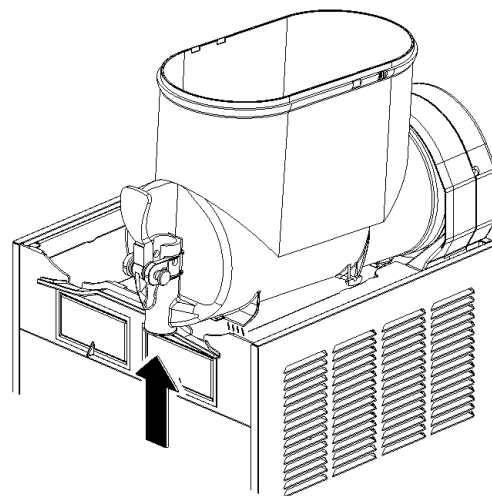


figure 5

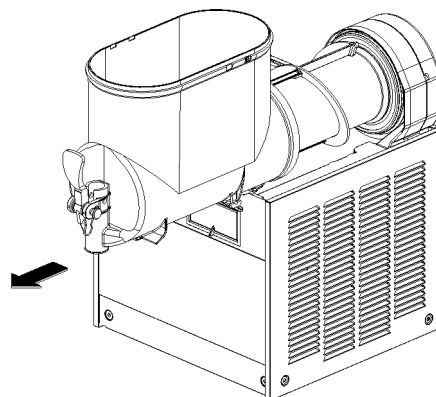


figure 6

3 Enlever de l'évaporateur la spirale extérieure (voir figure 7)

puis Rotor magnétique extérieur complet (voir figure 8).

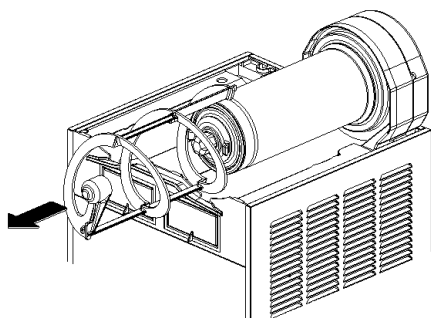


figure 7

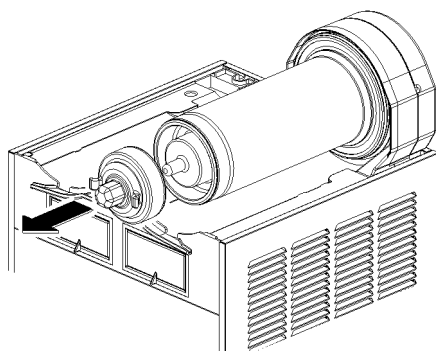


figure 8

4 Enlever le joint d'étanchéité du réservoir de son siège (voir figure 9).

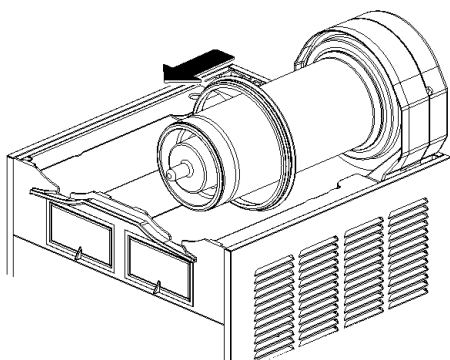


figure 9

5 Démontez le robinet selon la séquence indiquée (voir figure 10).

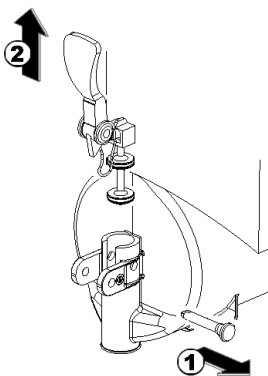


figure 10

6 Enlever le tiroir égouttoir et le vider.

5. 3. 2 LAVAGE



IMPORTANT

Aucun composant de l'appareil ne peut être lavé dans la lave-vaisselle.



ATTENTION

Avant toute intervention de nettoyage, débrancher toujours électriquement le distributeur en retirant la fiche de la prise ou en éteignant l'interrupteur externe mural.

1 Préparer une bassine d'environ huit litres d'eau chaude (45-60°C) et de détergent spécifique en respectant soigneusement les indications fournies par le fabricant; une solution trop concentrée peut en effet endommager les pièces à laver tandis que trop diluée elle risque de ne pas les nettoyer suffisamment bien. Ne pas utiliser de détergents abrasifs.



IMPORTANT

Afin d'éviter d'endommager le distributeur utiliser uniquement un détergent compatible avec les pièces en plastique.

2 Utiliser une brosse adéquate et laver soigneusement avec la solution détergente toutes les pièces qui sont en contact avec la boisson.



ATTENTION

Pendant le lavage du distributeur, il ne faut pas utiliser une quantité excessive d'eau en proximité des composants électriques; cela pourrait en effet entraîner des risques d'électrocution et d'endommagement du distributeur.

3 Rincer toutes les pièces lavées à l'eau courante.

5. 3. 3 DESINFECTIION DU DISTRIBUTEUR DEMONTE

La désinfection doit être exécutée immédiatement avant de mettre le distributeur en fonction. Il faut éviter que celui-ci ne fonctionne pas, pour une longue période après avoir été désinfecté.

La désinfection doit être effectuée chaque fois que le distributeur est remis en service avec un nouveau produit.

1 Avant de débiter les procédures décrites ci-après, se laver les mains avec un savon antibactérien.

2 Préparer dans une bassine environ huit litres de solution d'eau chaude (45-60°C) et de produit désinfectant, approuvé par les autorités de votre Pays, en respectant les indications du producteur. En l'absence d'un produit désinfectant spécifique, préparer une solution d'eau et d'hypochlorite de sodium (eau de javel) avec une proportion d'une cuillère tous les 2 litres d'eau.

3 Immerger toutes les pièces à désinfecter dans la solution pour la durée indiquée par le fabricant du produit.

4 Laisser sécher à l'air, sur une surface propre, les pièces désinfectées.

5 Essuyer les parties externes du distributeur sans utiliser de chiffons abrasifs.

5.3.4 REMONTAGE

- 1 Introduire le tiroir égouttoir à sa place.
- 2 Lubrifier le piston du robinet et le rotor magnétique extérieur (aux points A, B et C indiqués en figure 11) en utilisant uniquement la graisse fournie par le fabricant ou d'autres graisses à usage alimentaire.

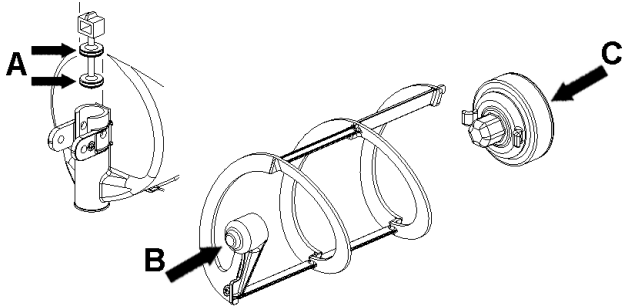


figure 11

- 3 Remonter le robinet sur le réservoir en suivant la séquence effectuée pour le démontage en sens inverse (voir figure 10).
- 4 Remonter le joint d'étanchéité du réservoir dans son siège. Remarque: Le bord ayant le diamètre le plus large doit être appuyé contre la paroi postérieure (voir figure 12).

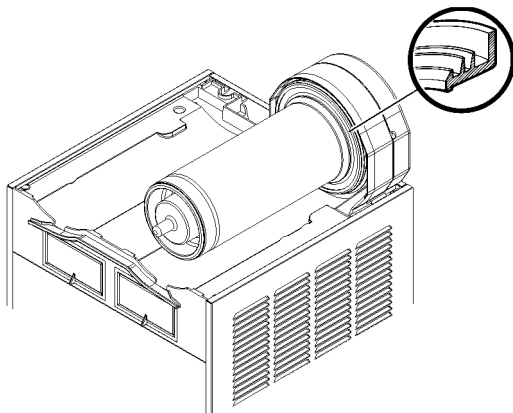


figure 12

- 5 Introduire le rotor magnétique extérieur dans l'évaporateur en veillant à l'accompagner jusqu'au fond (voir figure 13).

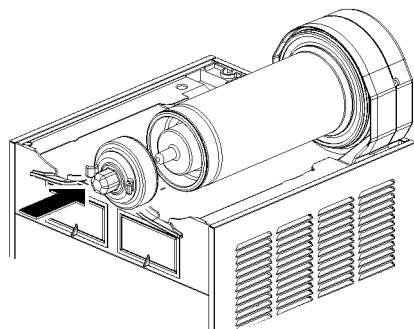


figure 13

- 6 Enfiler la spirale extérieure sur l'évaporateur en accouplant son extrémité hexagonale à l'extrémité hexagonale de l'arbre du rotor magnétique extérieur (voir figure 14).

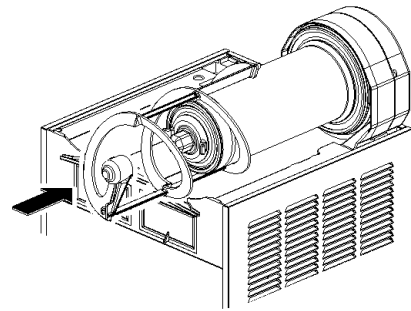


figure 14

- 7 Monter le réservoir et le pousser vers la paroi postérieure, en s'assurant qu'il s'adapte parfaitement au joint et que, en même temps, ses crochets inférieurs soient engagés dans les saillies prévues à cet effet sur le plan égouttoir (voir figure 15).

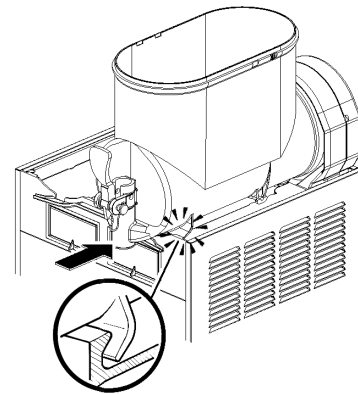


figure 15

- 8 Rincer avec de l'eau fraîche de manière à éliminer tout résidu de solution désinfectante du fond des réservoirs. Essuyer l'intérieur des réservoirs avec une serviette en papier jetable.

5.4 DESINFECTION DU DISTRIBUTEUR MONTE

La désinfection de l'appareil monté, avant sa mise en fonction, peut être exécutée, si nécessaire, uniquement comme précaution supplémentaire, en plus de la désinfection de l'appareil démonté décrite précédemment. Elle ne peut jamais la remplacer.

- 1 Préparer dans une bassine une solution d'eau et de produit désinfectant, approuvé par les autorités de votre Pays, en respectant les indications du producteur. En l'absence d'un produit désinfectant spécifique, préparer une solution d'eau et d'hypochlorite de sodium (eau de javel) avec une proportion d'une cuillère tous les 2 litres d'eau.
- 2 Verser la solution dans les réservoirs.
- 3 A l'aide d'une brosse adéquate, frotter la solution sur toutes les parties au-dessus du niveau de la solution et sur la partie inférieure du couvercle.
- 4 Installer le couvercle et faire fonctionner le distributeur de manière à permettre à la solution d'être agitée pendant environ 2 minutes.
- 5 Vider la solution désinfectante des réservoirs par les robinets.
- 6 Rincer avec de l'eau fraîche de manière à éliminer tout résidu de solution désinfectante du fond des réservoirs.

Essuyer l'intérieur des réservoirs avec une serviette en papier jetable.

7 Ne pas procéder à d'autres opérations de rinçage.

6 ENTRETIEN

1 Quotidiennement: contrôler le distributeur et vérifier qu'il n'y a pas de fuites de produit au niveau des joints. En cas de fuites, contrôler avant tout que le distributeur est monté correctement, puis vérifier que les joints n'ont pas besoin d'être lubrifiés et enfin qu'ils ne sont pas défectueux ou usés. Si c'est le cas, les remplacer par des pièces de rechange originales du fabricant.

2 Mensuellement sur les modèles MT 2 MINI et MT 3 MINI: éliminer la poussière qui s'accumule sur le filtre du condenseur.



ATTENTION

Avant toute intervention de nettoyage, débrancher toujours électriquement le distributeur en retirant la fiche de la prise ou en éteignant l'interrupteur externe mural.



ATTENTION

Faire attention aux ailettes du condenseur car elles sont affilées.

6. 1 ENTRETIEN (A EFFECTUER UNIQUEMENT PAR LE SERVICE D'ASSISTANCE)

1 Mensuellement sur les modèles MT 1 MINI: éliminer la poussière qui s'accumule sur le filtre du condenseur. Avant de procéder à cette opération, débrancher électriquement le distributeur en enlevant la fiche de la prise ou en éteignant l'interrupteur mural. Démonter les panneaux.

2 Tous les ans: il est conseillé d'enlever tous les panneaux et de nettoyer l'intérieur y compris la base et la partie interne des panneaux.

3 Tous les ans: Contrôler si les douilles sur lesquelles les racloirs tournent sont détériorés, ou ovalisés. Dans ce cas, il faut les remplacer.

4 Ne jamais enlever le matériau anticondensation placé autour du tuyau de sortie de l'évaporateur (le tuyau en cuivre placé à droite du motoréducteur). Si ce matériau manque ou est perdu, il faut le remplacer avec des pièces de rechange originales du fabricant.

5 Afin d'éviter d'endommager le distributeur, les pièces en plastique doivent être lubrifiées uniquement avec de la graisse fournie par le fabricant ou avec d'autres graisses compatibles avec le polycarbonate.

7 TIMER DE DEGIVRAGE

Le timer de dégivrage qui se trouve sur la paroi droite commute automatiquement l'appareil de la fonction « granité » à la fonction « boisson » et inversement.

Pendant le dégivrage le thermostat règle la température dans la cuve et le régleur de densité est débranché. Une fois le dégivrage terminé, le thermostat est débranché, la température va baisser et le produit dans la cuve est réglé par le régleur de

densité.

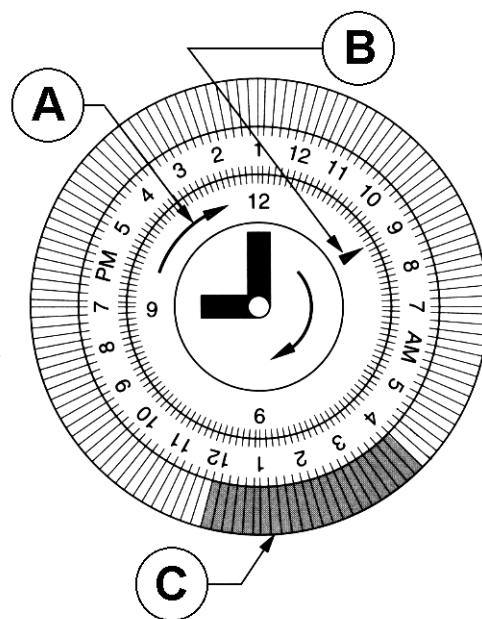


figure 16

Fonctionnement du timer de dégivrage.

1 Régler l'heure du jour en tournant le timer dans le sens des aiguilles d'une montre (flèche A) **Ne jamais tourner le timer dans le sens contraire des aiguilles d'une montre** car cela endommagerait le mécanisme intérieur.

Mettre l'heure à l'aide de la flèche B sur le timer. Le timer donne l'heure au format 24 heures.

2 Programmer le timer de dégivrage en relâchant les boutons C représentant le temps désiré pour le dégivrage.

Chaque pression représente 5 minutes. Le temps nécessaire pour un dégivrage optimum est de 4 à 8 heures (selon les conditions de température ambiante).

Attention : si tous les boutons du timer sont poussés, la fonction de dégivrage est débranchée (l'appareil fonctionne comme si le timer de dégivrage n'était pas installé).

1 CARACTERISTICAS TECNICAS

		MT MINI 1	MT MINI 2	MT MINI 3
Contenedores transparentes desmontables	n	1	2	3
Capacidad de cada contenedor, aproximada	l	6	6	6
Dimensiones:				
ancho	cm	19	36	54
largo	cm	47	47	47
alto	cm	65	65	65
Peso neto, aproximado	kg	22	36	48
Peso bruto, aproximado	kg	24	39	51
Termostatos regulables	n	1	2	3
Motocompresor hermético				
Condensador a ventilación forzada				
Guardamotor				
Nivel de ruido inferior a 70dB (A)				



IMPORTANTE

Características eléctricas: leer los datos detallados en la placa del distribuidor; ésta se encuentra en la parte inferior del panel frontal, detrás del cajón recoge-gotas de la derecha. Los números de matrícula de los aparatos (precedidos por el símbolo#) están colocados dentro del alojamiento portatintERRUPTORES de izquierda. En el modelo ETC, los números de serie se encuentran debajo de la máquina o en el plano de soporte del evaporador (retirando los paneles laterales). Los datos detallados sobre la placa son aquellos a los que se debe siempre hacer referencia.

El diagrama eléctrico del distribuidor se encuentra dentro del panel lado grifo.

Se reserva el derecho de efectuar modificaciones sin previo aviso.

2 INTRODUCCION

Les aconsejamos que lean atentamente este manual de instrucciones para conocer todas las características del distribuidor.

También este distribuidor, como todos los productos mecánicos, necesita de limpieza y cuidado. Se corre el riesgo de impedir su buen funcionamiento si se verificasen errores cometidos por el usuario durante la fase de desmontaje y limpieza. Por dicho motivo es importante que los procedimientos de desmontaje, lavado, higienización y limpieza, siendo operaciones cotidianas, sean conocidas sin posibilidad de error por todo el personal responsable del distribuidor.

3 INSTALACIÓN

1 Quitar el distribuidor del embalaje: guardar este último por si hubiera cualquier eventualidad.



IMPORTANTE

En la operación de transporte o levantamiento no se debe coger nunca el distribuidor por sus contenedores transparentes o por los cilindros evaporadores. El fabricante no responde de los daños acarreados por estas maniobras equivocadas.

2 Controlar que el distribuidor no haya sufrido daños durante el transporte. De haberlos sufrido, reclamar inmediatamente al transportista.

3 Colocar el distribuidor en un mostrador en grado de sostener su peso incluso con la carga completa, **teniendo en cuenta cuanto indicado en IMPORTANTE, del punto 1.**

4 Dejar un espacio libre de por lo menos 15 cm alrededor del aparato para no impedir el flujo de aire de refrigeración.

5 Controlar la estabilidad del aparato, regulando la altura de los pies. En el caso en que el distribuidor esté provisto de una serie de piés altos (100 mm aproximadamente), ésta debe ser sustituida a la original.

6 Antes de enchufar el aparato con la toma de corriente controlar que la tensión de la red sea aquella indicada en la placa. Enchufar el distribuidor a una red monofásica, sirviéndose de una toma completa de tierra, según lo previsto por la normativa vigente. Si el distribuidor resulta desprovisto de enchufe, conectar al cable un enchufe que esté en conformidad con las normas vigentes de vuestro país, provisto de espiga o contactos de tierra y adecuado para corrientes de por lo menos 10A y tensión de 250V (para áreas con tensiones de 220V-230V, 50Hz-60Hz) y 20 A y tensión de 250V (para áreas con tensiones de 110V-115V 50-60Hz). En el supuesto de realizar una conexión fija a la red, conectar el cable a un interruptor de pared de tipo bipolar con apertura de contactos de 3 mm por lo menos. No utilizar cordones conectores para enchufar el aparato al suministro de corriente eléctrica.



ATTENCION

Cerciorarse que el aparato esté correctamente conectado a tierra; en caso contrario es posible causar shock eléctricos a las personas o dañar el distribuidor.

7 El distribuidor no sale de fábrica prelavado e higienizado. Antes de utilizarlo debe ser desarmado, lavado e higienizado siguiendo cuanto se ha dicho en las presentes instrucciones del capítulo 5.3 LIMPIEZA.

4 PARA UN FUNCIONAMIENTO SEGURO

1 No utilizar el distribuidor antes de haber leído el presente manual de instrucciones.

2 No utilizar el distribuidor si no está correctamente conectado a tierra.

3 No utilizar cordones conectores para enchufar el distribuidor al suministro de corriente.

4 No poner en funcionamiento el distribuidor si los paneles no se encuentran en su lugar y fijados con los tornillos.

5 No impedir el flujo de aire de refrigeración, dejar un espacio libre de por lo menos 15 cm alrededor del distribuidor.

6 No introducir los dedos u objetos en las ranuras de los paneles y en la apertura del grifo.

7 No desmontar el contenedor, no quitar los mezcladores o paneles para limpieza o manutención sin cerciorarse que el distribuidor esté desenchufado del suministro de corriente.

8 No vierta productos alimenticios dentro del dispensador a una temperatura superior a 40°C.

5 INSTRUCCIONES DE EMPLEO



ATTENCION

Si el cable de alimentación está dañado, debe ser substituido por el fabricante o desde su servicio de asistencia técnica o, en cualquier caso, por una persona cualificada con el fin de evitar cualquier tipo de riesgo.

1 Lavar e higienizar el distribuidor antes de utilizarlo siguiendo cuanto se ha dicho en las presentes instrucciones en

el capítulo 5.3 LIMPIEZA.

2 Llenar los contenedores con el producto deseado hasta que alcance el nivel máximo indicado (no superar dicho nivel). La cantidad de producto presente en el contenedor (en litros o en galones) está indicada con señales específicas situadas en el contenedor mismo.

3 Si se quiere distribuir productos concentrados a diluirse con agua, verter en los contenedores el agua agregando a continuación la cantidad necesaria de producto concentrado, según las instrucciones del fabricante. Si se quieren emplear zumos naturales se recomienda filtrarlos para evitar que las partes sólidas puedan obstruir el pasaje del grifo.

4 Para obtener los mejores resultados emplear como productos base, jarabes expresamente preparados para Granizado.

Si se desea obtener una bebida en vez de un granizado, cada litro de jarabe debe ser diluido con 5-5,5 litros de agua (1 litro más respecto del necesario para el granizado).

Es una buena regla seguir las instrucciones dictadas por el fabricante de jarabes.

Si se usan productos naturales (por ejemplo zumo de limón o naranja) o bien bebidas no azucaradas (por ejemplo café), disolver 150-200 gramos de azúcar por cada litro de producto.



IMPORTANTE

En todo caso, una vez obtenida la mezcla, su grado de Brix (porcentaje de azúcar) debe ser superior a 13.



IMPORTANTE

Utilizar el distribuidor solamente con productos alimenticios.

5 Accionar los interruptores (ver capítulo 5.1 DESCRIPCIÓN DE LOS MANDOS).

6 El distribuidor debe funcionar siempre con las tapas montadas para prevenir una posible contaminación del producto.

7 El distribuidor debe funcionar ininterrumpidamente: el sistema de refrigeración de cada contenedor se parará automáticamente cuando el producto esté listo para ser distribuido. Los dispositivos mezcladores seguirán funcionando.

8 Si usa el dispensador con productos a base de leche, nunca lo apague. Cuando no esté en uso, active la función de almacenamiento.

5.1 DESCRIPCIÓN DE LOS MANDOS

El distribuidor está provisto de un interruptor general. Cada uno de los contenedores está provisto de un interruptor para arrancar la mezcla y para seleccionar el tipo de refrigeración del producto. En efecto, es posible obtener tanto bebidas frías como productos helados como granizados o sorbetes.

Cuando se selecciona la función bebida, la temperatura de dicha bebida está regulada por el correspondiente termostato. Cuando se selecciona la función granizado la densidad del producto se regula con el correspondiente tornillo de ajuste que se encuentra en cada una de las paredes posteriores del distribuidor (para regular la temperatura y la densidad ver el capítulo 5.2 SUGERENCIAS).

Todos los interruptores están colocados en la parte frontal del distribuidor (lado grifos) y están protegidos con una ventanilla

apropiada (ver figura 1).

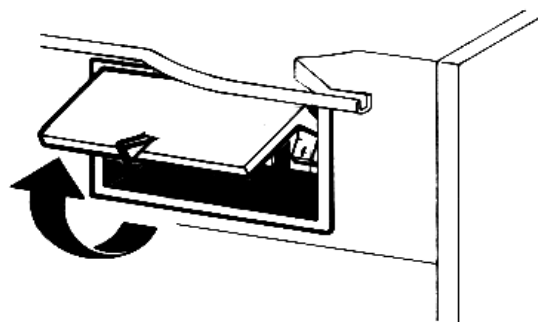


figura 1

Las funciones de los mandos del distribuidor se ilustran a continuación:

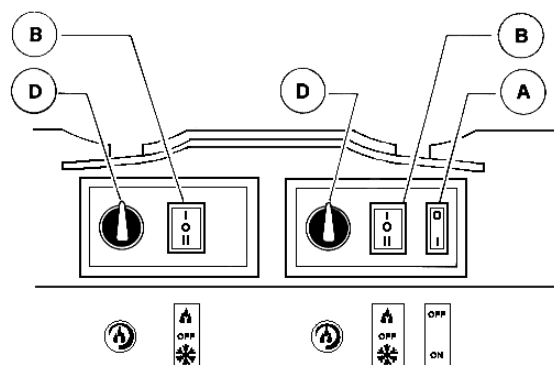


figura 2

Interruptor general (A)

Posición 0 : el distribuidor está apagado.

Posición I : el distribuidor está habilitado para el funcionamiento. Ventilador en función.

Interruptor mezcladores y refrigeración (B)

Posición I : mezcladores y refrigeración en función. Posición BEBIDA.

Posición 0 : mezcladores y refrigeración apagados.

Posición II : mezcladores y refrigeración en función. Posición GRANIZADO.

Termostato (D)

Rotación en sentido horario : bebida más fría

Rotación en sentido antihorario : bebida menos fría

Para el funcionamiento del distribuidor:

1 Colocar el interruptor general en la posición I.

2 Ajustar los interruptores mezcladores y refrigeración:

- en la posición I si se quiere refrigerar el producto sin helarlo
- en la posición II si se quiere obtener el granizado.

VERSIÓN ETC:

Las funciones de control del distribuidor son las siguientes (ver figura 1):

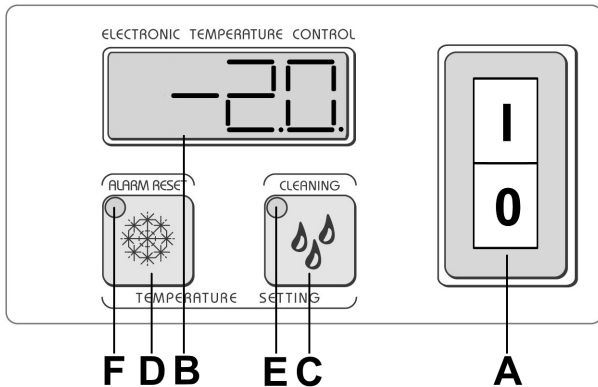


figura 3

Interruptor general (A)

- Posición 0 : el distribuidor está apagado.
- Posición I : el distribuidor está en funcionamiento. El ventilador está en marcha. Si la máquina es de un solo contenedor el mezclador también está en marcha.

Pulsadores mezclador y refrigeración (C) y (D)

- Pulsador C : pulsado activa la función BEBIDA. Esta modalidad de funcionamiento queda confirmada por la iluminación del piloto "E"
- Pulsador D : pulsado activa la función GRANIZADO. Esta modalidad de funcionamiento queda confirmada por la iluminación del piloto "F"

En máquinas con varios recipientes, pulsando la tecla correspondiente a la modalidad de funcionamiento activa, es posible apagar tanto el mezclado como la refrigeración del recipiente correspondiente. Esta selección se confirma con la parada del mezclador y con el apagado de ambos indicadores luminosos (E) y (F). Pulsando una de las dos teclas (C) o (D) es posible reactivar la función correspondiente.

Termostato (B)

Visualiza la temperatura del producto presente en el contenedor

Alarma de temperatura: la visualización de la temperatura es normalmente fija. Una indicación intermitente indica que el producto ha estado un cierto tiempo por encima de la temperatura máxima de conservación y por tanto es oportuno verificar un eventual deterioro del mismo.

Para cerrar la alarma y volver a la visualización normal es necesario mantener presionado el pulsador "D" durante tres segundos.



IMPORTANTE

En caso de que el distribuidor se haya puesto en marcha con el depósito conteniendo producto a temperatura superior a la de conservación, el indicador de temperatura seguirá parpadeando. De todos modos es posible cerrar la alarma y pasar a la visualización normal presionando el pulsador "D" durante tres segundos.



IMPORTANTE

La temperatura de conservación del producto se regula en fábrica a 4°C.

Modalidad de limpieza: manteniendo pulsada la tecla (C) durante tres segundos se activa la modalidad LIMPIEZA y la pantalla de visualización visualiza "-- --". En esta modalidad el mezclador gira pero el enfriamiento no está activado. Esta función es muy útil durante el enjuague, el lavado y la sanitización de la máquina para evitar que se enfríe el contenido del recipiente. De todas formas, es siempre posible salir de la modalidad limpieza pulsando cualquier tecla.

Regulación de la temperatura en modalidad BEBIDA: la temperatura óptima de las bebidas (para el funcionamiento del distribuidor como refrigerador de bebidas y no como granizador) se regula en fábrica a 4°C. Si se desea modificar esta temperatura es necesario mantener pulsadas de forma contemporánea durante dos segundos las teclas (C) y (D), la temperatura configurada y el piloto (E) parpadearán y mediante las teclas (C) y (D) será posible regular la temperatura. Después de unos segundos inoperante, en el display volverá la visualización de la temperatura corriente.

Regulación de la temperatura mínima en modalidad GRANIZADO: es posible regular la temperatura mínima del producto cuando la máquina funciona en modalidad granizado. La temperatura mínima se regula en la fábrica a -10°C, para variarla es necesario mantener pulsadas durante dos segundos y de forma contemporánea las teclas (C) y (D) entrando de esta forma en modalidad regulación temperatura bebida en la que el piloto (E) parpadea. Por lo tanto será necesario pulsar de nuevo las teclas (C) y (D) durante dos segundos entrando de esta forma en modalidad regulación temperatura mínima granizado en la que la temperatura configurada y el piloto (F) parpadearán. Mediante las teclas (C) y (D) será posible regular la temperatura. Después de unos segundos inoperante, en el display volverá la visualización de la temperatura corriente.

Para el funcionamiento del distribuidor:

Accionar el interruptor general a la posición "I"

Seleccionar, para cada contenedor, a través de los pulsadores "C" y "D" la modalidad de funcionamiento deseada.

- Pulsador "C" si desea enfriar el producto sin congelarlo
- Pulsador "D" si desea obtener granizado

Función Lavado: durante la operación de saneamiento del distribuidor puede ser necesario activar el mezclador sin activar la refrigeración. Para ello es necesario mantener presionado el pulsador "C" durante tres segundos. La activación de esta función se confirma mediante la visualización "--- --" en la pantalla del termostato.

Presionando cualquier pulsador el distribuidor saldrá de la función Lavado regresando al funcionamiento normal.

5.2 SUGERENCIAS

1 Regulación de la densidad: la densidad óptima del granizado ha sido ya ajustada en fábrica. Si se quiere variar dicha densidad girar con un destornillador el correspondiente tornillo de ajuste situado en cada una de las paredes posteriores del distribuidor (ver figura 4):

- hacia derecha (sentido horario) para obtener un granizado más denso (el índice F en la ventanilla G se desplazará hacia abajo).
- hacia izquierda (sentido antihorario) para obtener un granizado menos denso (el índice F en la ventanilla G se

desplazará hacia arriba).

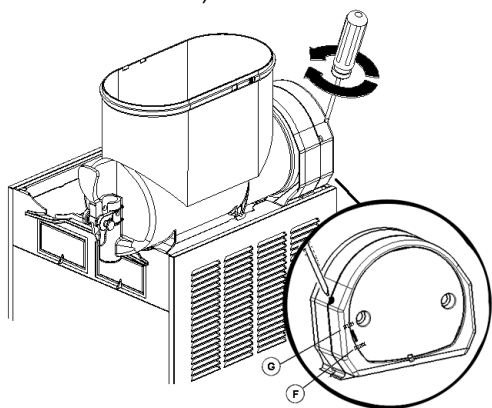


figura 4

2 Regulación de la temperatura: la temperatura óptima de las bebidas (para el funcionamiento del distribuidor como refrigerador de bebidas y no como granizador) ha sido regulada en la fábrica. Si se quiere variar su valor, girar el pomo colocado en cada una de los paneles portainterruptores:

- hacia derecha (sentido horario) para obtener una bebida más fría.
- hacia izquierda (sentido antihorario) para obtener una bebida menos fría.

NOTA : la regulación de la temperatura de la bebida se hace efectiva solamente cuando el interruptor mezcladores y refrigeración correspondiente se encuentra en la posición Bebida.

3 El tiempo necesario para obtener la refrigeración del producto varía en función de distintos factores como por ejemplo la temperatura ambiente, la temperatura inicial del producto, su contenido de azúcar (grado Brix) y la regulación de la densidad.

4 Llenando los contenedores con producto ya enfriado previamente se aumenta ulteriormente la eficiencia del distribuidor.

5 Para disminuir los tiempos de restablecimiento y, por lo tanto, aumentar la autonomía del distribuidor, volver a llenar cuando el nivel del producto desciende a mitad evaporador.

6 Para conseguir una buena conservación del producto, el distribuidor debe funcionar también durante la noche, por lo menos en la posición Bebida. Si esto no fuera posible y los productos permanecieran en los contenedores con el distribuidor parado es conveniente, una hora antes de apagar el aparato, llevar los interruptores mezcladores y refrigeración en la posición I; ésto evita la formación de bloques o crostas de hielo que podrían dañar los dispositivos mezcladores. En el caso en que se formasen dichos bloques de hielo, estos deberían ser quitados antes de volver a poner en función el distribuidor. El funcionamiento nocturno en la posición Bebida elimina además la posible formación de hielo (debido a la condensación de la humedad atmosférica) en el exterior de los contenedores.

7 No parar jamás los mezcladores cuando hay granizado en los contenedores; si no se mezcla, dicho granizado puede agregarse y formar un único bloque de hielo. Volviendo a arrancar los mezcladores en estas condiciones (sin esperar que el hielo se derrita) pueden dañarse.

8 El distribuidor está provisto de una junta magnética para la transmisión del movimiento a los mezcladores. Para prevenir daños al aparato, en caso de bloqueo de los mezcladores debido a bloques de hielo u otro dentro de los contenedores, la junta magnética se encarga de desconectar automáticamente la transmisión del movimiento.

Dicha situación puede ser identificada tanto por el bloqueo de los mezcladores como por un ruido intermitente que proviene del aparato. En este caso es necesario parar inmediatamente el distribuidor, vaciar el contenedor interesado y eliminar la causa del bloqueo.

9 Todo distribuidor de este tipo debe despedir calor. Si el calor producido fuera excesivo, controlar que ninguna fuente de calor se encuentre cerca del distribuidor y, en modo particular, cerca de las rejillas de los paneles. Cerciorarse

además, que el flujo de aire no esté obstaculizado por paredes cercanas, cajas u otras cosas. Dejar por lo menos 15 cm de espacio libre alrededor del distribuidor. En todo caso cuando el producto dentro de los contenedores está helado es seguro que todo funciona regularmente y que el calor emitido no es dañoso.

5.3 LIMPIEZA

1 La limpieza y el lavado son fundamentales para garantizar la perfecta conservación del gusto de la bebida y la máxima eficiencia de vuestro distribuidor. Los procedimientos descritos a continuación deben ser considerados de carácter general y pueden variar por efecto de la reglamentación de higiene vigente.

2 Antes del desarmado para el lavado del distribuidor debe quitarse todo el producto. Proceder como sigue:

- poner el interruptor general en la posición I;
- poner los interruptores mezcladores/refrigeración en la posición I;
- posicionar un recipiente debajo del grifo y vaciar los contenedores;
- poner todos los interruptores en la posición 0.

5.3.1 DESMONTAJE



ATTENCION

Antes de proceder con el desmontaje de cualquier componente, desenchufar de la toma de corriente eléctrica el enchufe del aparato o bien apagar el interruptor externo de pared.

1 Quitar la tapa del contenedor.

2 Desmontar el contenedor empujando ligeramente la parte inferior (lado grifo) hacia arriba para dejar libres los ganchos inferiores (ver figura 5) y luego quitarlo por adelante (ver figura 6).

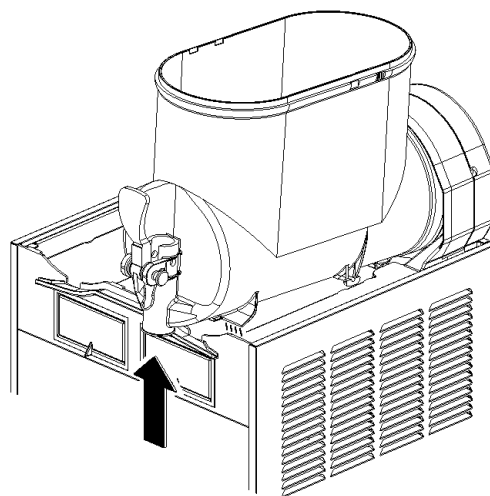


figura 5

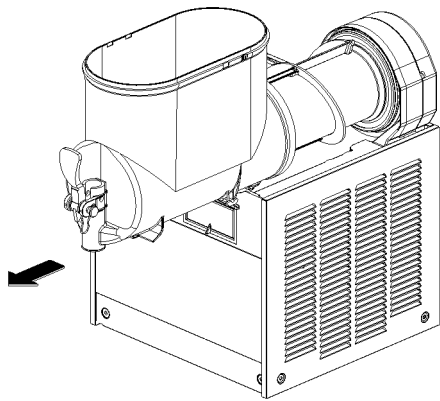


figura 6

3 Desenfilarse del evaporador el rascador exterior (ver figura 7) y después el Rotor magnético externo completo (ver figura 8).

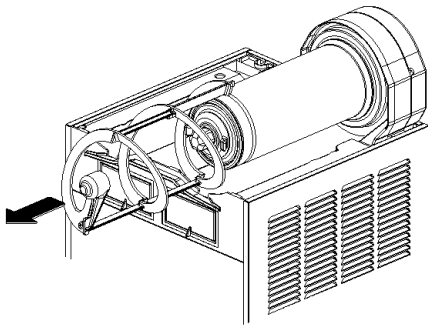


figura 7

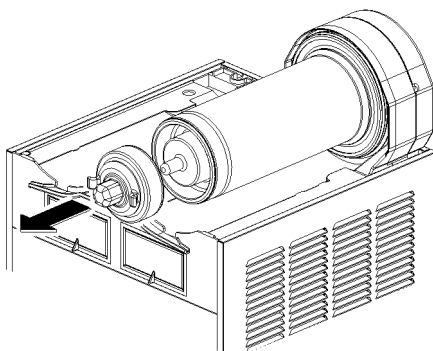


figura 8

4 Quitar de su alojamiento la junta del contenedor (ver figura

9).

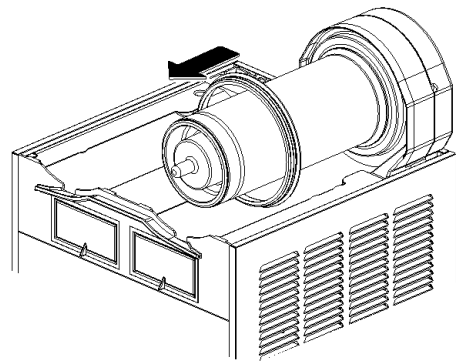


figura 9

5 Desarmar el grifo respetando la secuencia indicada (ver figura 10).

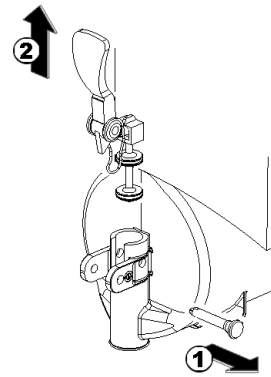


figura 10

6 Desenfilarse el cajón recoge-gotas y vaciarlo.

5. 3. 2 LAVADO



IMPORTANTE

No lavar ningún componente de la máquina en lavavajillas.



ATTENCION

Antes de efectuar cualquier tipo de limpieza, desconectar de la toma de corriente eléctrica el enchufe del aparato o bien apagar el interruptor externo de pared.

1 Poner en una palangana aproximadamente ocho litros de agua caliente (45°-60°C) y detergente respetando con atención las instrucciones del fabricante; una solución demasiado concentrada del detergente puede provocar daños en las partes a lavar, en vez una solución demasiado diluida puede

no limpiar bastante. No utilizar detergentes abrasivos.



IMPORTANTE

Para prevenir daños al distribuidor utilizar solamente un detergente compatible con las partes de plástico.

2 Emplear un cepillo apropiado y lavar minuciosamente con la solución detergente todas las partes en contacto con la bebida.



ATTENCION

Durante el lavado del distribuidor no usar mucha cantidad de agua cerca de los componentes eléctricos; en caso contrario es posible que se verifiquen shock eléctricos o bien se dañe el distribuidor.

3 Lavar los cilindros evaporadores empleando un cepillo con cerdas suaves.

4 Enjuagar todas las partes con agua corriente.

5. 3. 3 HIGIENIZACION DEL DISTRIBUIDOR DESMONTADO

La higienización debe efectuarse inmediatamente antes de poner en función el distribuidor; evitar que este permanezca inactivo por mucho tiempo después de haber sido higienizado.

La desinfección debe realizarse cada vez que el distribuidor vuelva a funcionar con un nuevo producto.

1 Antes de iniciar los procedimientos descritos a continuación lavarse las manos con un jabón antibacterico.

2 Poner en una palangana aproximadamente ocho litros de solución de agua caliente (45-60°C) con un producto para higienizar aprobado por las autoridades de vuestro país respetando las especificaciones del fabricante. Si se carece de un producto para higienizar específico, preparar una solución de agua e hipoclorito de sodio (lejía uso alimenticio) en la proporción de 1 cucharadita por cada 2 litros de agua.

3 Colocar en la solución todas las partes a higienizar dejándolas el tiempo que ha sido indicado por el fabricante del producto.

4 Dejar secar las partes higienizadas, sobre una superficie limpia al aire libre.

5 Secar las partes externas del distribuidor sin usar paños abrasivos.

5. 3. 4 REMONTAJE

1 Colocar el cajón recoge-gotas en su alojamiento.

2 Lubricar el pistón grifo, el rascador interior y el rotor magnético (en los puntos A, B y C indicados en la (ver figura 11) utilizando solamente la grasa suministrada por el fabricante

u otro grasa para uso alimenticio.

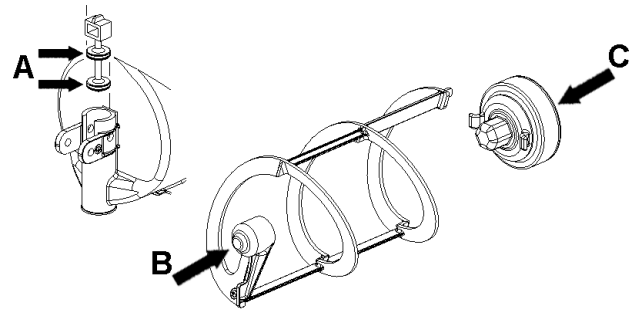


figura 11

3 Armar de nuevo el grifo sobre el contenedor siguiendo la secuencia inversa a la detallada para el desmontaje (vedere figura 10).

4 Volver a montar en su alojamiento la junta del contenedor. NOTA: El borde de mayor diámetro debe ser apoyado en la pared posterior (ver figura 12).

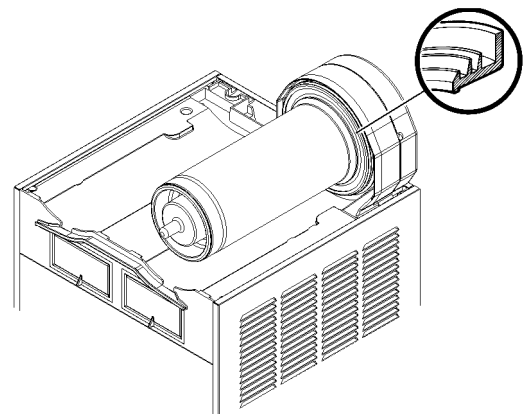


figura 12

5 Insertar el rotor magnético externo en el evaporador, acompañándolo con cuidado (ver figura 13).

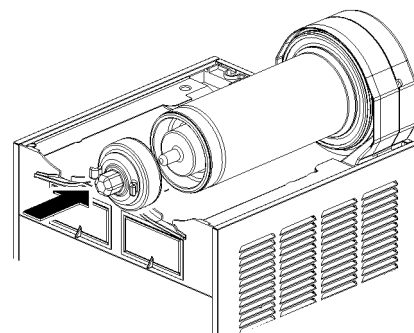


figura 13

6 Colocar sobre el evaporador el rascador exterior acoplándolo su extremidad anterior al árbol del rotor magnético externo

(ver figura 14).

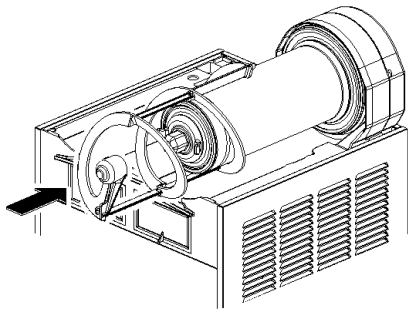


figura 14

7 Montar el contenedor y empujarlo hacia la pared posterior, controlando que calce completamente en la junta y, al mismo tiempo, que sus ganchos inferiores coincidan con las correspondientes salientes del plano de goteo (ver figura 15).

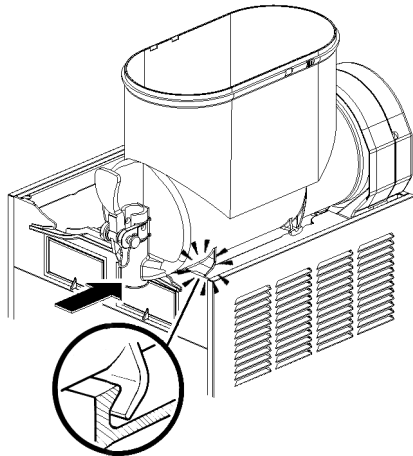


figura 15

8 Enjuagar con bebida fresca para eliminar todo residuo posible de solución para higienizar del fondo de los contenedores. Secar la parte interior de los contenedores con una servilleta de papel desechable.

5.4 HIGIENIZACIÓN DEL DISTRIBUIDOR MONTADO

La higienización del aparato montado, antes de ser puesto en funcionamiento, puede ser efectuada, si es necesario, solamente como una ulterior prevención adicional a la higienización del aparato desmontado descrito anteriormente, pero no debe sustituir jamás a la efectuada con el aparato desmontado.

- 1 Poner en una palangana una solución de agua u producto para higienizar aprobado por las autoridades de vuestro país, respetando las especificaciones del fabricante. Si se carece de un producto para higienizar específico, preparar una solución de agua e hipoclorito de sodio (lejía uso alimenticio) en la proporción de 1 cucharadita por cada 2 litros de agua.
- 2 Verter la solución en los contenedores.
- 3 Usando un cepillo apropiado fregar con la solución todas las partes sobre el nivel de la solución y sobre la parte inferior de la tapa.
- 4 Colocar la tapa y poner en función el distribuidor de modo que permita a la solución agitarse 2 minutos.
- 5 Vaciar los contenedores de la solución para higienizar por

medio de los grifos.

6 Enjuagar con bebida fresca para eliminar del fondo de los contenedores todo residuo posible de solución para higienizar. Secar la parte interior de los contenedores con una servilleta de papel desechable.

7 No efectuar más operaciones de enjuague.

6 MANUTENCION

1 Cada día: controlar el distribuidor y que no se verifiquen pérdidas de producto de las juntas. Si se notasen pérdidas, controlar, antes de todo, que el distribuidor esté montado correctamente, luego que las juntas no necesiten lubricación y, por último, que dichas juntas no sean defectuosas o estén gastadas, si es así reemplazarlas con recambios originales del fabricante.

2 Cada mes en los modelos MT 2 MINI y MT 3 MINI: eliminar el polvo que se acumula sobre el filtro del condensador.



ATTENCION

Antes de efectuar cualquier tipo de limpieza, desenchufar de la toma de corriente eléctrica el enchufe del aparato o bien apagar el interruptor externo de pared.



ATTENCION

Prestar atención a las aletas del condensador porque tienen filo.

6.1 MANUTENCION (SOLAMENTE POR EL SERVICIO POSTVENTA)

1 Cada mes en el modelo MT 1P MINI: eliminar el polvo que se acumula sobre el condensador. Antes de efectuar cualquier tipo de limpieza, desenchufar de la toma de corriente eléctrica el enchufe del aparato o bien apagar el interruptor externo de pared, a continuación desmontar los paneles.

2 Cada año: es aconsejable quitar todos los paneles y limpiar la zona interior, incluso la base y el interior de los paneles.

3 Cada año: Controlar que los bujes para los rascadores no se hayan consumido o deformado. Si hubiera sucedido, deberán ser sustituidos.

4 No quitar jamás el material aislante contra la condensación puesto alrededor del tubo de salida del evaporador (el tubo de cobre colocado a la derecha del motoreductor). Si dicho material estuviera dañado o perdido, reponer con recambios originales del fabricante.

5 Para prevenir daños al distribuidor las partes de plástico deben ser lubricadas solamente con la grasa suministrada por el fabricante u otra grasa compatible con policarbonato.

7 CONTADOR DE DESCONGELACION

El contador de descongelación, que está situado a la derecha del aparato, automáticamente cambia el dispensador de la función del Granizado a la función Bebida y al contrario. Esto quiere decir que durante el periodo de descongelación el Granizado se derretirá a la temperatura fijada por el termostato y una vez que el periodo de descongelación haya terminado, el producto automáticamente se congela de nuevo a la viscosidad prefijada del Granizado.

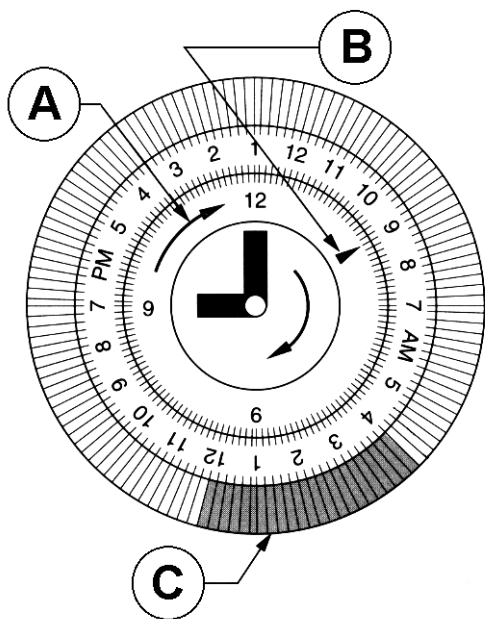


figura 16

Para utilizar el contador de descongelación seguir los siguientes pasos (ver figura 16):

1 fijar la hora del día girando el contador en sentido horario. **Nunca girar el contador en sentido antihorario** ya que el mecanismo interno podría verse dañado. Alinear la hora del día mediante la aguja B situada en la cara del contador. Este es un contador que muestra las 24 horas AM y PM.

2 programar el contador de descongelación presionando las lengüetas indicadas con la letra "C" que corresponden a las horas prefijadas para la descongelación. Cada división representa 15 minutos. Un mínimo de cuatro a ocho horas son necesarias para la descongelación de la bebida (dependiendo de las condiciones ambientales).

Note: cuando todas las lengüetas no están presionadas la función de descongelación se mantiene apagada (el distribuidor funciona como si no estuviera equipado con el contador de descongelación).

NOTES- NOTES - NOTAS:

ugolini®

02416-00029
R4.9 21M13