



EPOCH ^{R3}

MAKE ART HAPPEN



COLORFUL LED DISPLAY

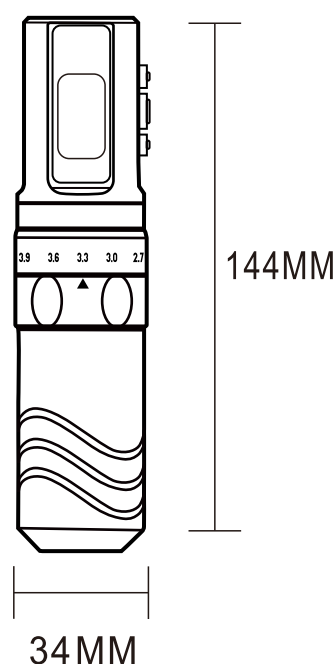
7 *Wireless*
strokes *pen machine*

OVERVIEW



SPECIFICATIONS

- **OUTPUT VOLTAGE: 4-12V**
- **CHARGER INPUT: USB-C 2A**
- **SIZE: H 144MM X W 34MM**
- **WEIGHT: 267G (≈9.42OZ) WITH BATTERY**
224G(≈7.90OZ) WITHOUT BATTERY
- **BATTERY LIFE: 2000mAh working time 5-6 HOURS**
- **GRIP SIZE: 34MM**
- **STROKE: 2.4MM|2.7MM|3.0MM|3.3MM|3.6MM|3.9MM|4.2MM**
- **INCREMENT/DECREMENT VOLTAGE INTERVAL: 0.1V**

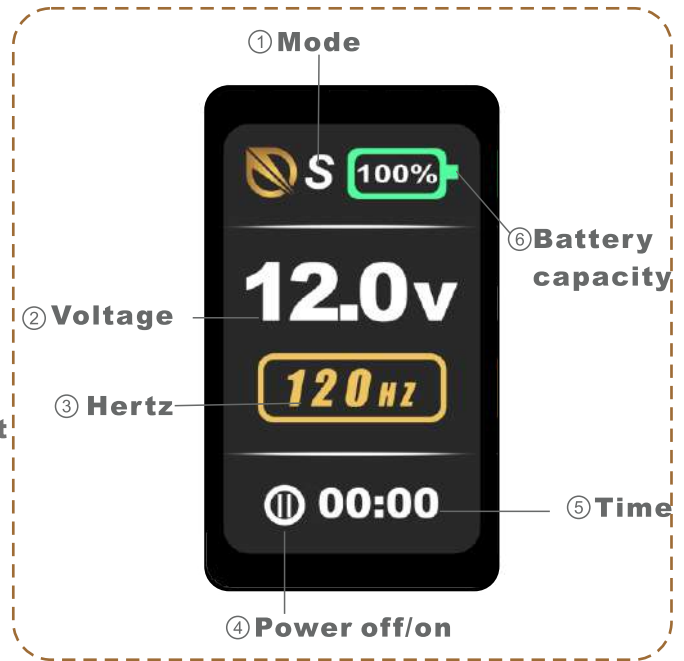


DISPLAY FUNCTION

FUNCTION DETAILS OF COLORFUL LED SCREEN

Hold the power button for 5 seconds to work on or off
(Power off after 5mins not working)

- ① **Mode:** **S MODE SHADER** ↔ **L MODE LINER**
To change liner or shader mode
Press power button twice quickly
- ② **Voltage range:** 4-12v | Click the voltage buttons to decrease/ increase voltage by 0.1v, long press to adjust voltage quickly.
- ③ **Hertz:** 0-200HZ | Hold the central and Up buttons both for 3-5 seconds then you can choose the hertz number. Long press to adjust quickly.
- ④ **Power off/on:** After machine opened then press power button to start working.
- ⑤ **Time:** The time is 0-24 Hrs in one minute intervals, once time stops it resets back to zero.
- ⑥ **Battery capacity:** Battery capacity percentage shows that if the battery is less than 5%, please charge it in time. Working time about 5-7 hours, based on operating parameters.



Charging: Charging time is about four hours. For best results, please use provided charging cable.

360-Positioning Of The Battery

Innovative connection allows for 360-positioning of the battery to customize screen position and easily swap batteries.



BUTTONS FUNCTION

- ⬆️ **Voltage up:** Click the button to increase voltage by 0.1v, long press to increase voltage quickly.
- ⏸️ **Power off/on:** Function one, Pressing 3 seconds to Power on / o f f. Function two, Pressing again to work start / pause. Function three, Fast double-click the button 2 times to choose liner or shader.
- ⬇️ **Voltage down:** Click the button to decrease voltage by 0.1v, long press to decrease voltage quickly.
- ⬆️ + ⏸️ **Hertz Adjustment:** Hold the central and Up buttons both for 3-5 seconds then you can choose the hertz number. Long press to adjust quickly.
- ⬇️ + ⏸️ **Jump Start:** Press the central and down buttons both to open or close.
OPEN: ⏸️ / ▶️ Red mark is opening.

HOW TO ADJUST STROKES

J ONLY EPOCH wireless machine pen in order to meet the needs of different tattoo styles, we have total of 7 strokes. They are: 2.4mm | 2.7mm | 3.0mm | 3.3mm | 3.6mm | 3.9mm | 4.2mm . And in order to adjust the stroke, we divided the central ring district into two parts: the upper ring and the lower ring. When we increase the stroke, the upper ring twists to the right and the lower ring twists to the left. On the contrary, when the stroke decreases, the upper ring twists to the left and the lower ring twists to the right. It is so easy to find your favorite stroke.



INCREASE
STROKE
2.4mm
↓
4.2mm

DECREASE
STROKE
4.2mm
↓
2.4mm

Which stroke suit you better?

Depending on your needs and the desired power, we have 7 strokes can provide in **J ONLY EPOCH**.

2.4mm|2.7mm|3.0mm - Especially suitable for gentle shading, careful tattoo working on sensitive body parts.

3.3mm|3.6mm - Provide the perfect balance between lining and shading and is the all-rounder.

3.9mm|4.2mm - Great balance between lining and color packing.

REPLACE POWER



Up or down the battery as shown and remove

Up or down the RCA adapter as shown and remove

RCA ADAPTER

In order to ensure the sustainability of tattoos, we provide RCA adapters. When the battery power is used up, we can change the RCA adapter to connect the RCA cable.

THE POWER BATTERY

The battery part is 2000 mAh and can be used for 5-6 working hours. When the battery is used up, you can replace another new spare battery and continue to complete your tattoo work, it is simple and convenient.

VOLTAGE PARAMETERS

While voltage is a parameter that will vary from artist to artist, the battery has been tested to operate at a minimum voltage of 4 Volts to a maximum voltage of 12 Volts. Depending on the type of needle configuration, or brand you use, feel free to adjust the voltage to obtain the desired performance.

WARRANTY

JCONLY EPOCH wireless machine warranty period is 12 months from the date of purchase. If you discover a defective product covered by this warranty , we will repair the item . Proof of purchase in the form of a sales receipt must be provided for warranty repair .

This warranty will be void if the device shows signs of having been tampered, disassembled, handled roughly, dropped, overexposed to moisture or damage resulting in compromised functionality .

REPAIR PROCESS

Step 1

Please contact us by email before shipment

Step 2

After we confirmed with you by email, you can ship the machine to us. Please make sure to securely package your machine. We are not responsible for lost or damaged machines during transit.

Step 3

Please don't forget to send the tracking number to us after Shipping package.

More information, please contact info@jconlytattoo.com. We will reply and solve your question soon.

