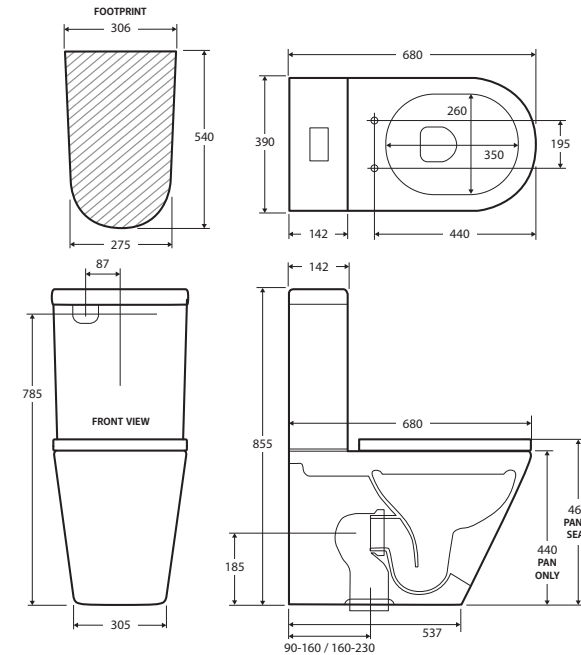


Kaya® BACK-TO-WALL TOILET SUITE

Features

- Rimless hygienic flush
- Extra height pan
- Gloss white finish
- Large, easy-push chrome flush buttons
- Concealed design for easy cleaning
- UF quick release, soft close seat
- High quality, R&T or Geberit flush systems
- Top or bottom inlets:
 - Left top inlet
 - Left or right bottom inlet
- Available as P-Trap or S-Trap
- **WELS 4 Star rated, 4.6L/3L (3.3L average flush)**



Available in



P-Trap
R&T System
K021P-1



S-Trap 90-160
R&T System
K021A-1



S-Trap 160-230
R&T System
K021B-1



P-Trap
Geberit System
K021GEP-1



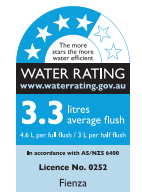
S-Trap 90-160
Geberit System
K021GEA-1



S-Trap 160-230
Geberit System
K021GEB-1

Cleaning & Care

- The toilet seat may be removed for cleaning - depress the quick release buttons and lift up.
- Clean only with a soft cloth or sponge using warm water and mild soap or detergent. Do not use any abrasive cleaning materials.
- Do not use any solvents or corrosive liquids.
- Note that use of clip-on deodorisers will affect flushing performance on rimless suites.



We aim to ensure that specifications are correct at the time of publication. All measurements are shown in millimetres. For ceramic products, please allow +/- 10 mm tolerance for manufacturing variance. Always use measurements of actual product received for final specification as the technical drawing may contain differences. Due to printing limitations, physical colour may vary from the image shown. Fienza reserves the right to make modifications without prior notice.