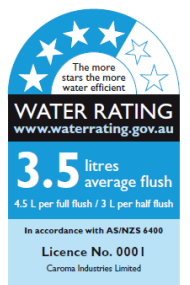


Aire Concorde

Plastic 4.5/3 litre Dual Flush
Connector Toilet Suite

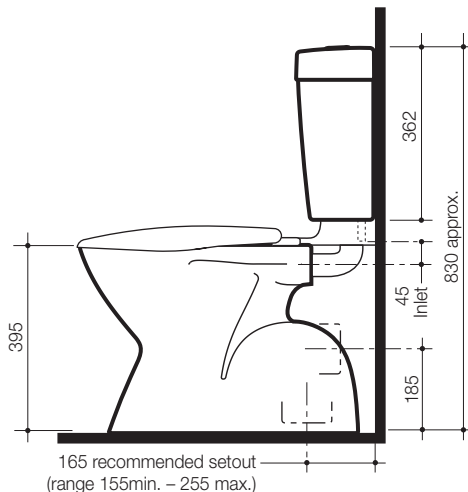
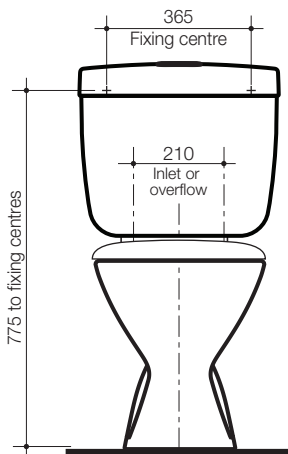
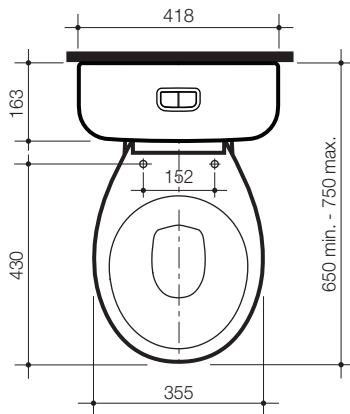


Aire Concorde



Due to the substantial water saving benefits achieved by the 4 star 4.5/3 litre dual flush system, the **Aire Concorde** connector suite is suitable for multi purpose applications and can be used where authorised for septic installations.

- Pan:** **Concorde Concealed** connector 4.5 litre full flush washdown pan
- Traps:** S-trap (concealed) and P-trap (exposed). Slope of P-trap 95°
- Inlet:** 50mm back entry. 40mm key seal is available if required.
- Cisterns:** **Aire** cistern – Is a one piece injection moulded tank with a well fitting removable lid housing and centrally positioned push buttons and incorporates a quiet inlet valve to reduce noise during the filling cycle.
- Inlet Valve**
Overflow: **Standard Bottom Inlet Cistern** – available as right hand inlet which is interchangeable and incorporates Apollo inlet valve. Internal overflow as standard, external overflow kit available. **Important: Working pressure minimum 30kPa to maximum 1000kPa flow pressure. Rain water tank compliant.**
- Seats and Connector Plate:** The **Tasman** standard seat or the **Caravelle** soft close seat is supplied as standard with this suite. See chapter 5.01 SEATS of the Caroma Technical Manual for further details.
- Colours:** White only.
- Installation:** The installation of the toilet suite shall be in accordance with the normal minimum drainline grade requirements in AS/NZS 3500.2.
- Dimensions:** All dimensions are in millimetres and are subject to normal manufacturing variations. Caroma pursues a policy of continuing improvement in design and performance of its products. The right is therefore reserved to vary specifications without notice.



Aire Concorde Connector Toilet Suite with Seat:	Code No.
P-trap with Tasman Standard Seat	984215W
S-trap with Tasman Standard Seat	984210W

Note: All height dimensions to underside of pan, make allowance for bedding.

Bedding: The pan should be fixed to the floor with a sand cement mixture of 3:1 to a depth of 60mm. Do not use lime or fast drying cement in the bedding mixture. When bedded the back of the foot of the pan should be approximately 10mm above the finished floor.

Screw fixing: The pan should be bedded with an acetic cured silicone sealant and fixed with corrosion resistant screws and pan guard washers. Use Caroma screw fixing kit. Code No.601150.