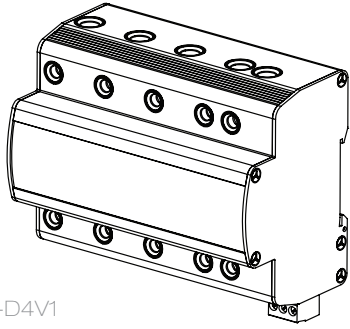


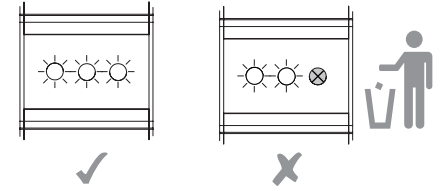
# Novaris®

## Three Phase Series Surge Protectors

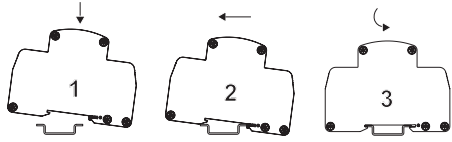


0031-D4V1

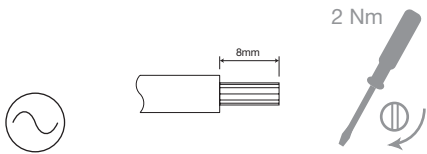
Uc	~275V
Up (AS/NZS)	< 800V
# Ports	Two
t <sub>A</sub>	< 5ns
Protection	L-N, L-PE, N-PE
I <sub>PE</sub>	< 10uA
Mounting	TS35 DIN rail
Location	Indoor
Environmental	IP20
	-40° to +70°C 5 to 95% (non-condensing)



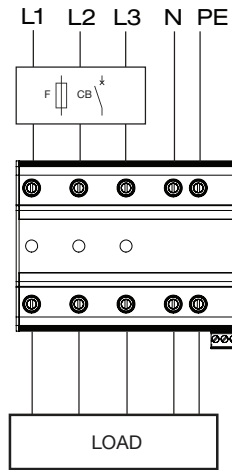
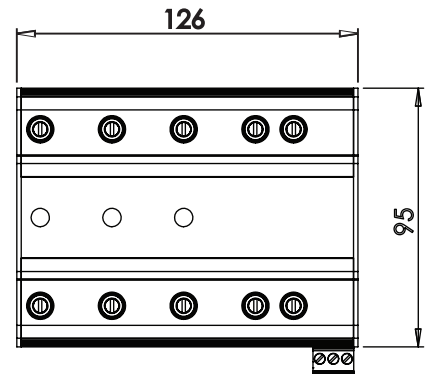
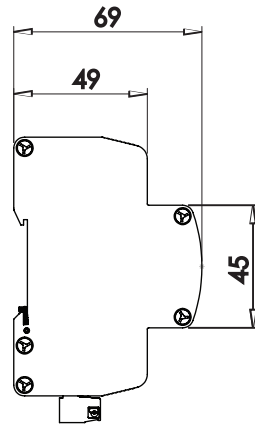
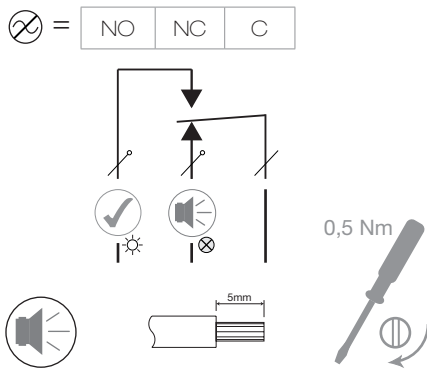
IEC 61643-1 class II, III  
 DIN VDE 0675-6-11 class C, D  
 AS/NZS 1768 categories A, B, C  
 IEEE C62.41 categories A, B, C



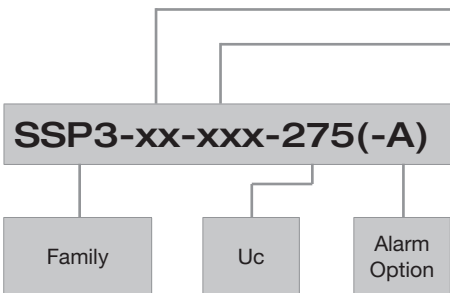
Power	
min L, N, PE	2,5 mm <sup>2</sup>
max L, N, PE	16 mm <sup>2</sup>



Alarm	
C, NC, NO	≤ 2,5 mm <sup>2</sup>



TN / TT system with neutral



Value	I <sub>max</sub> per phase Max impulse 1x 8/20us	I <sub>n</sub> per phase Nom impulse 15 x 8/20us	I <sub>SCCR</sub> Max switchboard fault rating
50	50kA	20kA	25kA
100	100kA	40kA	25kA

I <sub>L</sub>	F max	* CB max
20	20 A gL/gG	20 A "C"
32	32 A gL/gG	32 A "C"
63	63 A gL/gG	63 A "C"



Australian Designed