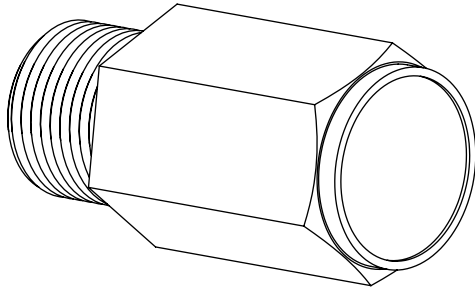


Novaris®

Threaded Signal Line Protector

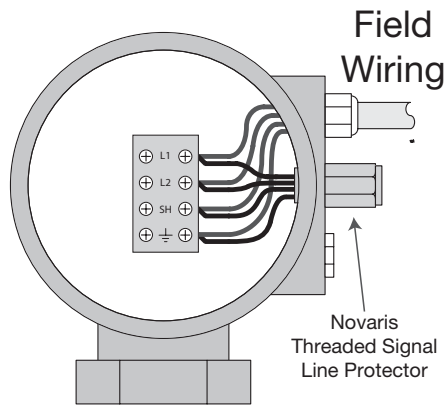


Wiring	300mm 0.75mm ² leads
Connection Type	Shunt
t _A	< 5ns
Protection	L-L, L-PE
I _{PE}	< 10uA
Mounting	M20 x 1.5 1/2" NPT 3/4" NPT
Location	Indoor / Outdoor
Environmental	IP65 (installed)
	-40° to +70°C 5 to 95% (non-condensing)

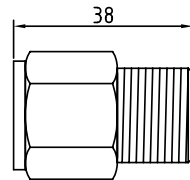
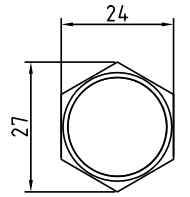
Safety Parameters	
U _i	30V
I _i	3A
P _i	2.4W
C _i	0
L _i	0

Standards Compliance	
IEC 61643-21 EN 61643-21 AS/NZS 1768 IEEE C62.41	class C2 class C2

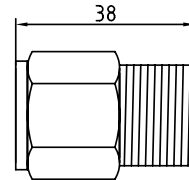
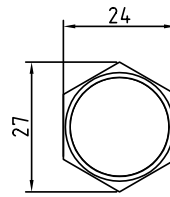
0050-D3V2



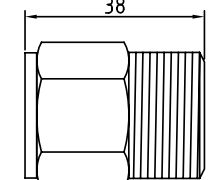
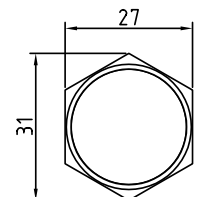
wire length << 300mm



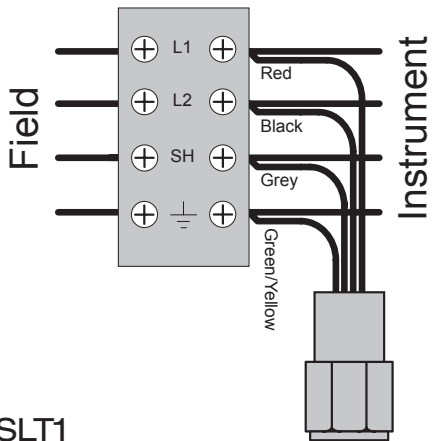
M20 x 1.5 Thread Size



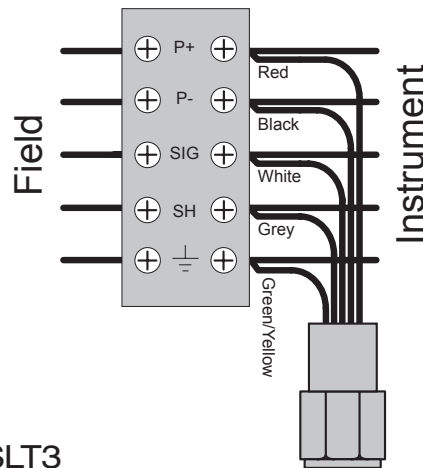
1/2" NPT Thread Size



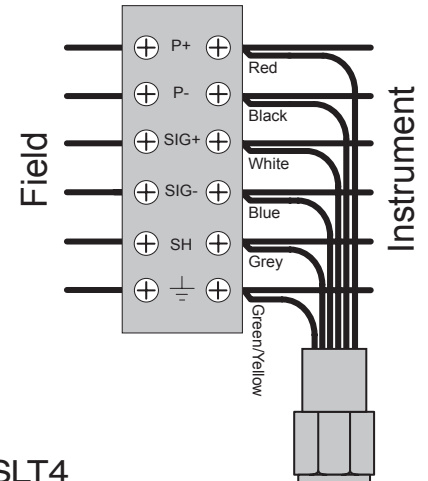
3/4" NPT Thread Size



SLT1



SLT3



SLT4

Product Code		SLTx-7V5	SLTx-18	SLTx-36	SLTx-68	SLTx-200
Max Continuous Voltage DC	U _c	7V	16V	36V	65V	200V
Max Continuous Voltage AC	U _c	5V	11V	24V	46V	140V
Max Discharge Current	I _{max}	10kA				
Voltage Protection Level @ 5kV (10/700us)	U _p	8V	19V	40V	76V	235V