

SDPV-50-1500



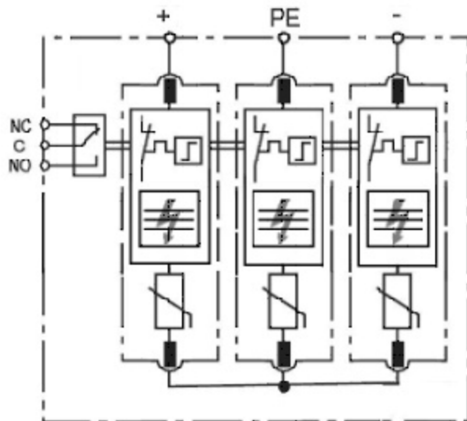
SDPV Solar Protector

Novaris SDPV's are designed for photovoltaic system DC-side protection against the damage from surges caused by lightning or over voltages.

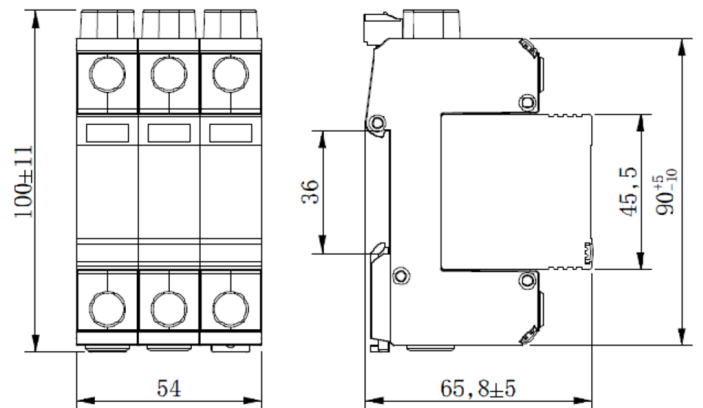
Remote alarm. can be used for detecting thermal failure and protective segment failure.

Replaceable pluggable elements. Pluggable design allows for easy removal and replacement.

Wiring



Dimensions




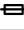


Standards

EN50539-11

Specifications

Electrical Specifications

Connection type		Shunt
Modes of protection		(+)-(-), (+)-PE, (-)-PE
Number of ports		1
Number of phases		2
Location		Indoor
Nominal voltage	U_0	1500VDC
Short circuit withstand level	I_{SSCR}	50kA
Recommended backup fuse		63A
Earth leakage current	I_{PE}	<2 μ A

Electrical (L-L) Specifications

Maximum continuous voltage AC	U_c	1060VAC
Maximum continuous voltage DC	U_c	1500VDC
Maximum discharge current (8/20 μ s)	I_{max}	50kA
Nominal discharge current (8/20 μ s)	I_n	20kA
Voltage protection level (3kA 8/20 μ s)	U_p	<4000V
Response time	t_A	<25ns















Electrical (L-PE) Specifications

Maximum discharge current (8/20 μ s)	I_{max}	50kA
Nominal discharge current (8/20 μ s)	I_n	20kA
Voltage protection level (1kV/ μ s)	U_p	<4000V
Response time	t_A	<25ns

Indication Specifications

Alarm		Thermal failure
Alarm isolation		4kV

Mechanical Specifications

Minimum operating temperature		-40°C
Maximum operating temperature		85°C
Minimum operating humidity		5%
Maximum operating humidity		95%
Mounting method		TS35 DIN Rail
Environmental rating		IP20
Enclosure material		Thermoplastic
Terminal capacity - power		35mm ²
Terminal screw torque - power		2Nm
Terminal capacity - alarms		1.5mm ²
Terminal screw torque - alarms		0.5Nm
Length		100mm
Width		54mm
Height		66mm

Other Specifications

Product Code  SDPV-50-1500

Shipping Specifications

Weight  500g