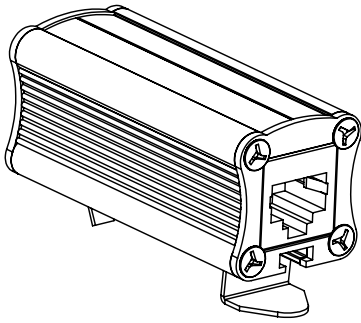


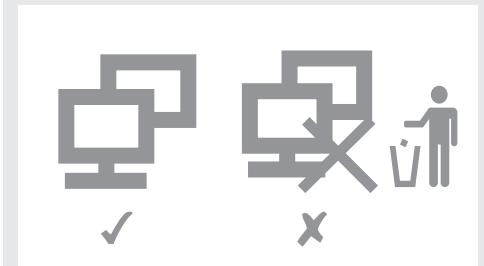
Novaris®

RJ45 Protectors

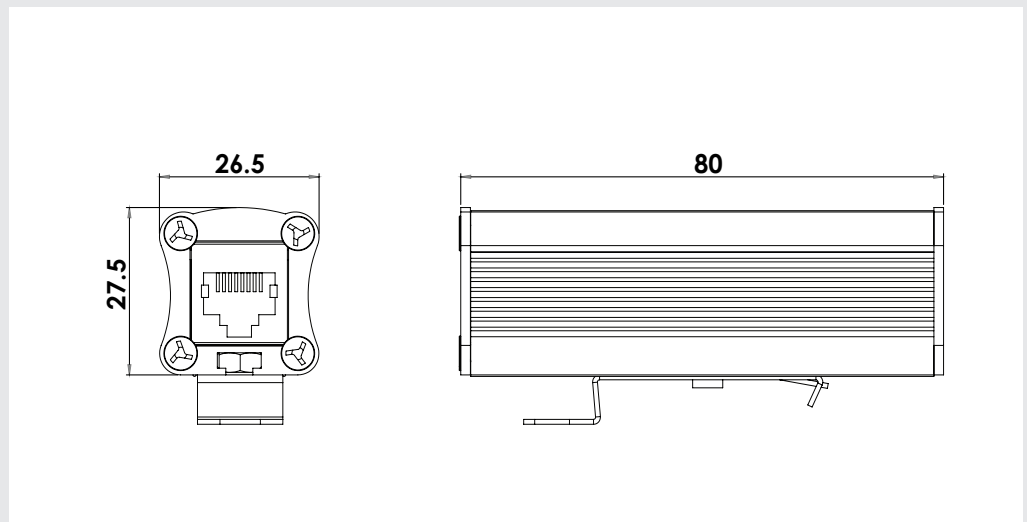
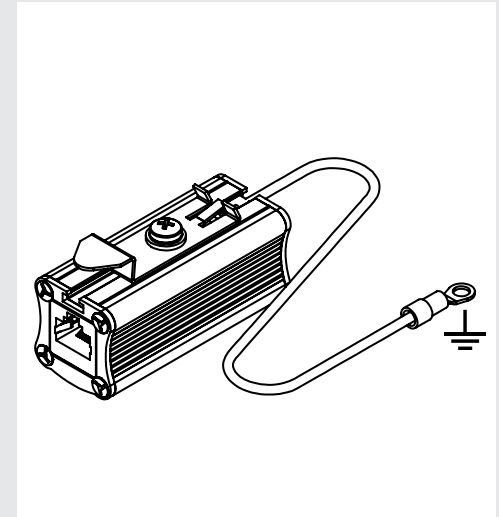
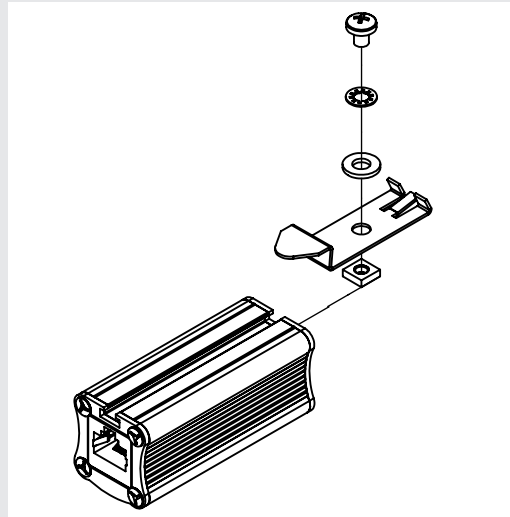
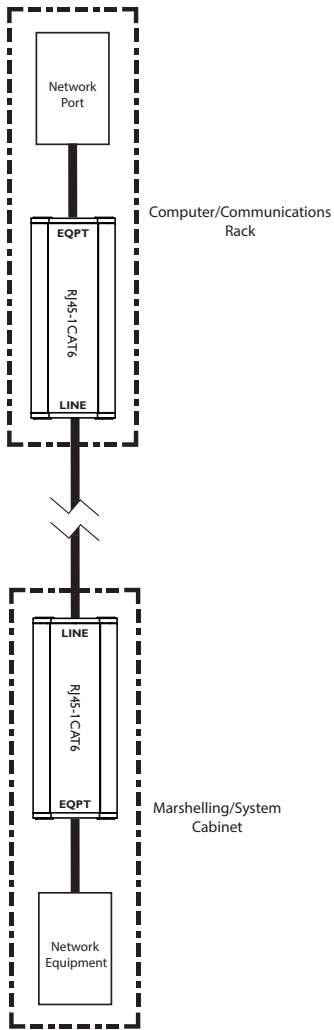


0006-D10V1

Connection	Series
Protection Mode	Transverse, Common
# Ports	1
Protection Stages	Multistage
Fault Mode	Mode 3
Connection Type	RJ45 Socket
Mounting	TS35 DIN rail
Location	Indoor
Environmental	IP20
	-40° to +70°C
	5 to 95% (non-condensing)



IEC 61643-21 BS 6651 DIN VDE 0675-6-11 AS/NZS 1768 IEEE C62.41 IEEE 802.3ab	class C categories B, C categories B, C 1000BASE-T
--------------------------------------------------------------------------------------------	-------------------------------------------------------------



Product Code	I_{max} Max. impulse 1x 8/20us	I_n Nom. impulse 10 x 8/20us	U_c	U_p	Insertion Loss @ 150 Ω	3dB Frequency @ 50 Ω	I_L per common pair	Weight
RJ45-1CAT6	10kA	1.5kA	6V	<20V	<0.1dB	>350MHz	1000mA	200g
RJ45-1PoE	10kA	1.5kA	6V	<20V	<0.1dB	>350MHz	1000mA	200g