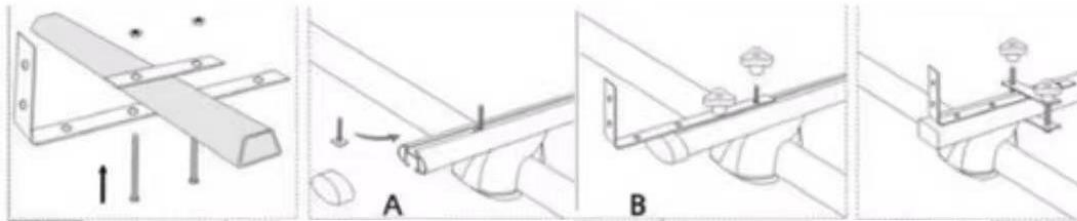


# USE AND INSTALLATION

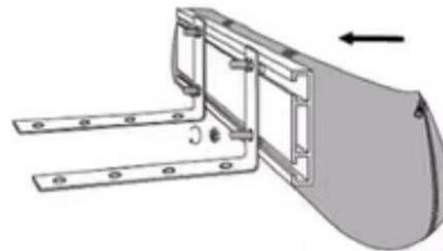
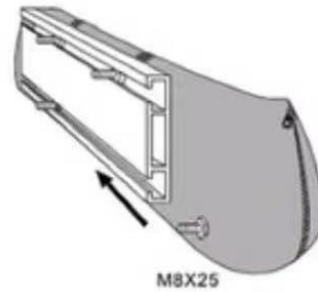
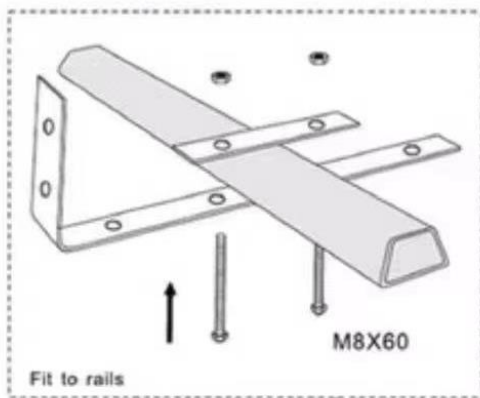
Install the "L" bracket connector on the roof bar



Option 1

Option 2

Option 3



①

②