
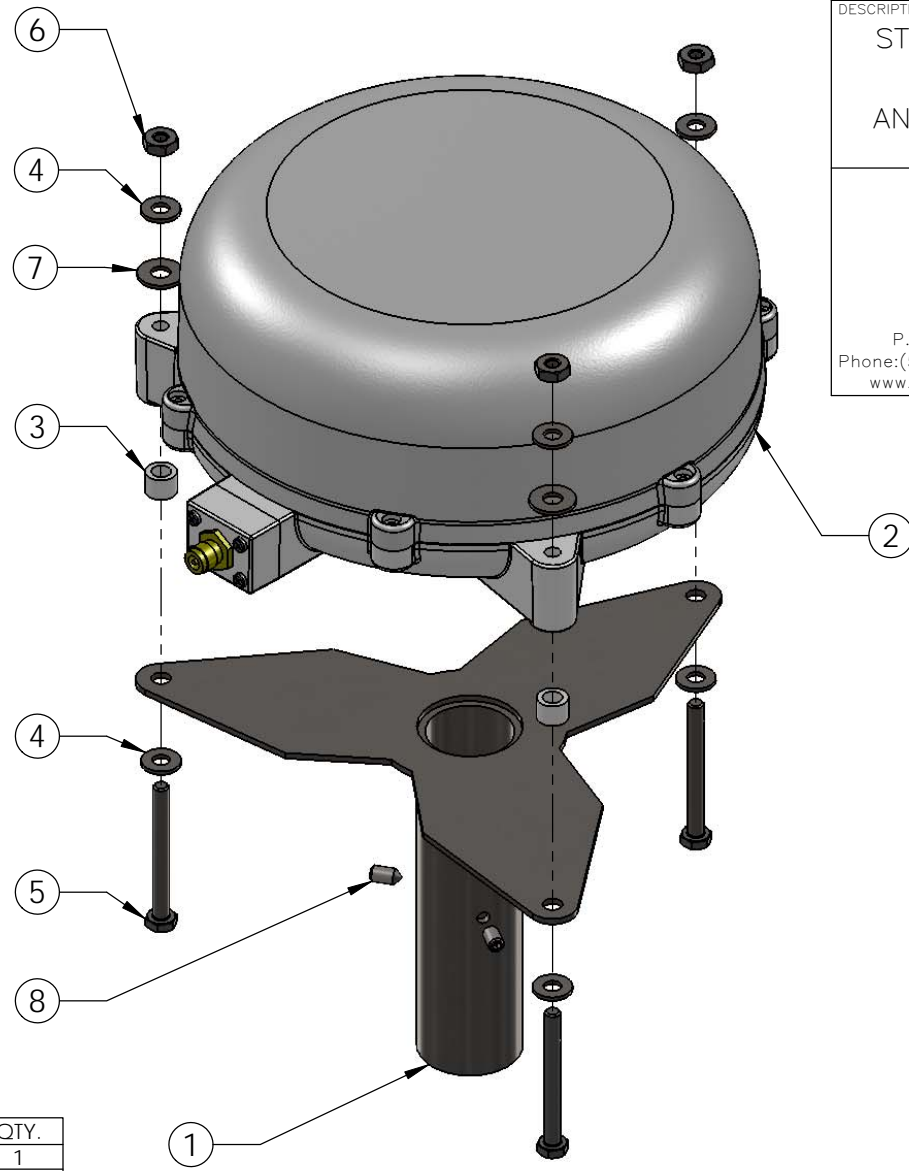
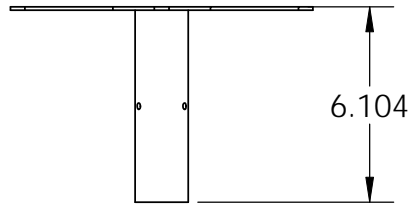


NOTICE	
	<p style="text-align: center;">NYLON SPACERS MUST BE INSTALLED TO INSURE PROPER DRAINAGE OF THE WEEP HOLES ON THE BOTTOM OF SPACECOM ANTENNA</p>



P/N **KCG2FIXSS**

DESCRIPTION:
**STAINLESS STEEL POLE
 MOUNT FOR LIGHT
 SQUARED MSV220
 ANTENNA, AND HUGHES
 C11 ANTENNA**



**MJ
SALES**

P.O. BOX 166, PEARCE, AZ. 85625
 Phone:(520) 824-2261 Fax:(520) 824-2264
 www.mj-sales.net & www.mcom1.com

ITEM NO.	DESCRIPTION	QTY.
1	304 SST ANTENNA MOUNT FIXED POLE	1
2	SPAC-AS-MSV220 & HUGHES C11 ANTENNA	1
3	3/8, NYLON 6/6 SPACER	3
4	1/4, 18-8 SST FLAT WASHER	6
5	1/4-20 X 2-1/2", 18-8 SST HEX HEAD BOLT	3
6	1/4-20, 18-8 SST NYLOK NUT	3
7	1/4", SANTOPRENE SEALING WASHER	3
8	1/4-20 x 3/8", 18-8 SST SET SCREW	3

NOTE:
 PIPE MOUNT WILL SLIDE OVER A PIPE OF A MAXIMUM DIA. OF 1-3/8 IN.