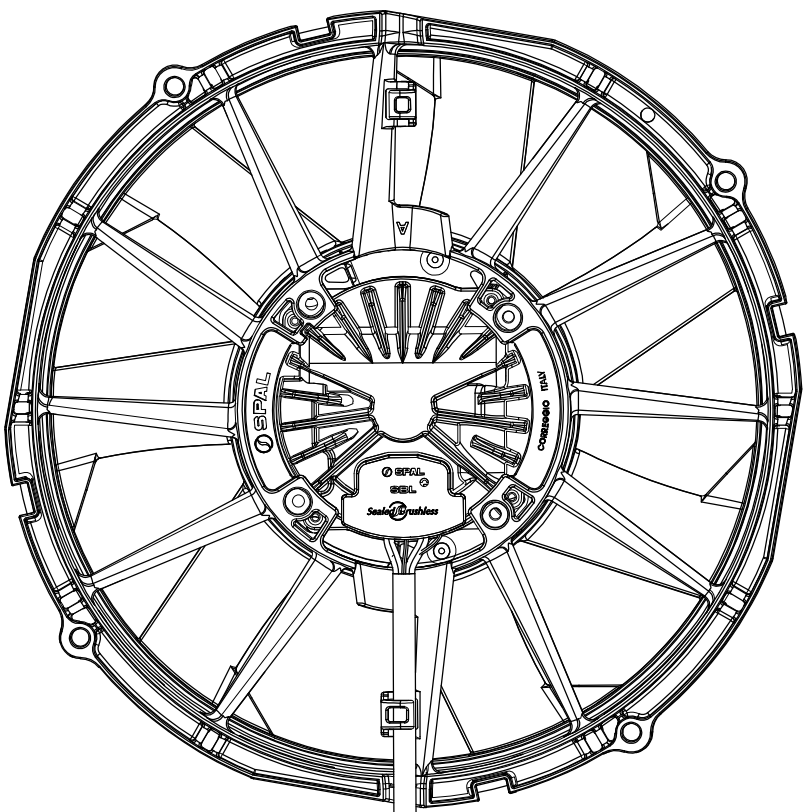
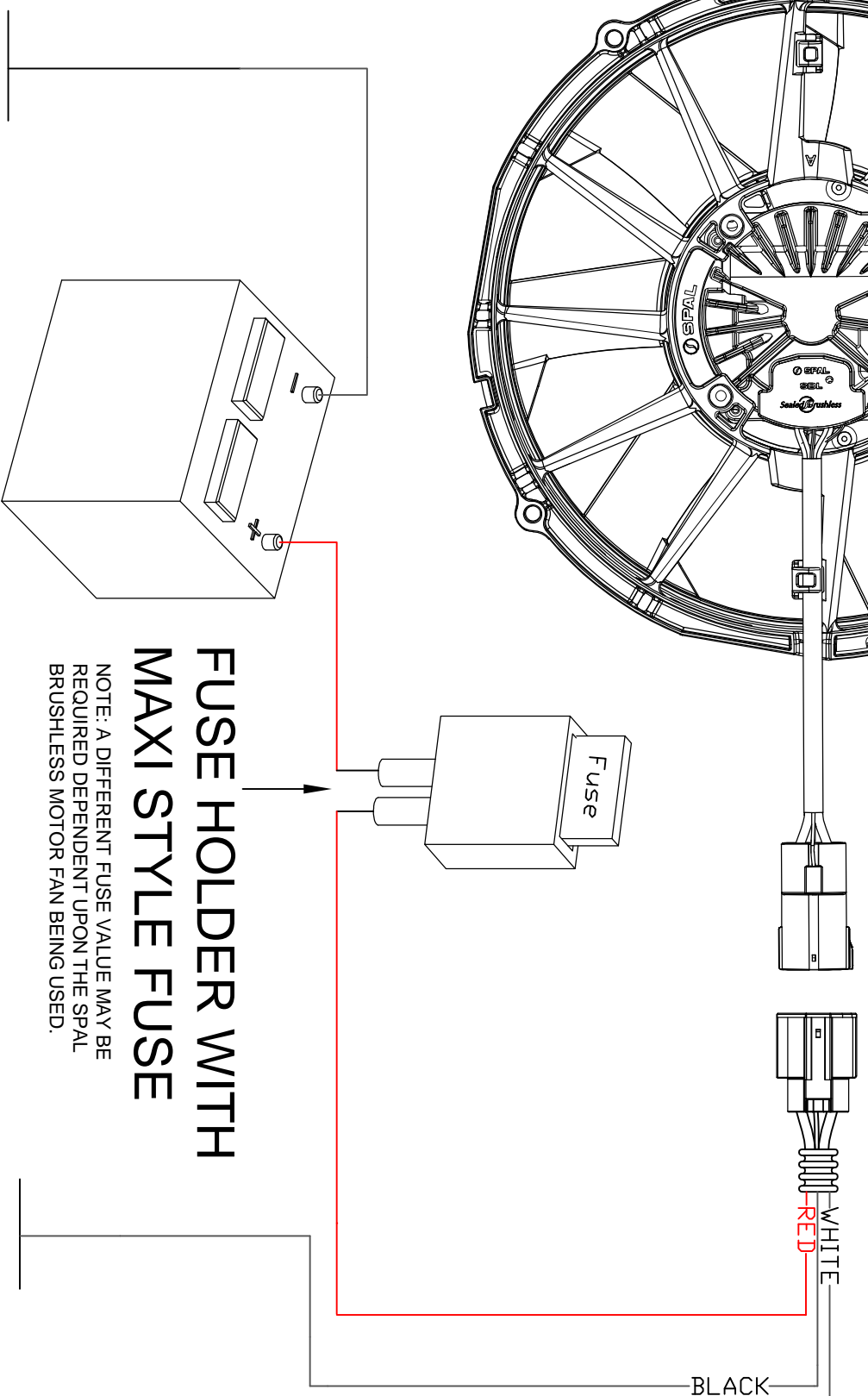


SPAL BRUSHLESS 12VDC MOTOR FAN



SBL-YAZ-PT

Note: The yellow wire is not used!

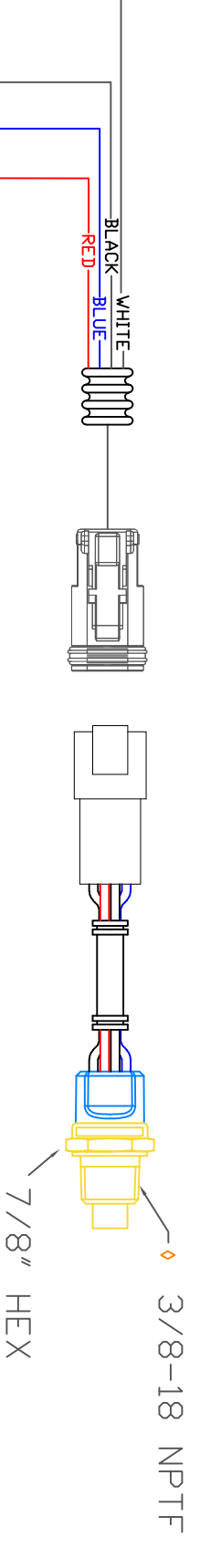


**FUSE HOLDER WITH
MAXI STYLE FUSE**

NOTE: A DIFFERENT FUSE VALUE MAY BE
REQUIRED DEPENDENT UPON THE SPAL
BRUSHLESS MOTOR FAN BEING USED.

FAN TO CHASSIS GROUND.

SBL-TS-HARN



FUSED SWITCHED IGNITION SOURCE

**OPTIONAL OVERRIDE
SWITCH (POSITIVE TRIGGER)**
12 VDC(+) Switch on gives full speed.

SENSOR TO CHASSIS GROUND.