

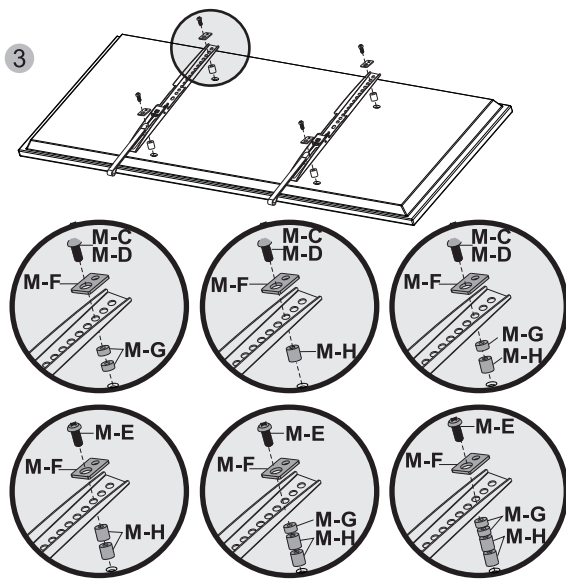
Step 5B: Install Your TV

3 Add the spacers installing and tightening the screws.

Tools Required:



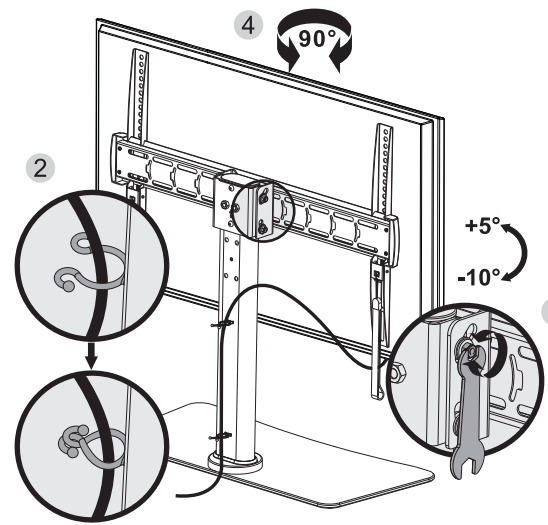
11



Step 7B: Cable Management

- Put cables through cable clamp (A14), snap cable clamp (A14) into place.
- Use wrench to loosen the nuts, adjust Horizontal Plate for appropriate tension for tilting TV. Tighten the nuts.
- Use hands to adjust the swivel range for best view.

14



Model : TTL-6644TS

STANLEY

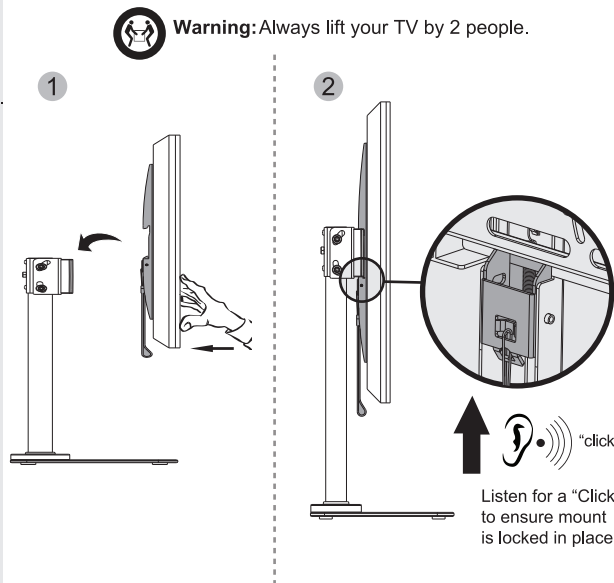
Adjustable TV Stand Installation Guide

Thank you for choosing Stanley – the hardware of choice for Architects, Contractors, and Home Owners for its quality, performance and dependability.

Enclosed are your step-by-step instructions for an install made easy.

Step 6: Hang your TV

- Pull the rope on TV bracket (B5). Lift the TV and secure it with the hook on the TV bracket. Always have two people lift TV.
- After the TV is hanging properly on Horizontal Plate (B3). Check and press on the bottom edge of the TV towards the horizontal plate (B3) to lock it in place.



12

SUNCRAFT SOLUTIONS INC. LIMITED WARRANTY

SUNCRAFT SOLUTIONS INC. LIMITED WARRANTY

SUNCRAFT SOLUTIONS, INC. warrants its products to be free of defects in material and workmanship for the product's Warranty Period. The Warranty Period commences on the original purchase date of the product and the sales receipt serves as proof of purchase.

All SUNCRAFT SOLUTIONS, INC. products are covered by a limited product warranty of three (3) years for all metal mounts and fixtures and non electrical items.

This Limited Warranty extends only to the original purchaser and is non-transferable. It is automatically void if your SUNCRAFT SOLUTIONS, INC. product is modified or altered in anyway, improperly or incompletely installed, usage of non-supplied hardware and used in a non-conventional method, exceeding the weight capacity or size restrictions. All SUNCRAFT SOLUTIONS, INC. products are intended for indoors consumer or commercial use only and any outdoor or use in areas subject to weather and high humidity, water vapor or exposure to the elements use voids this Limited Warranty. The Limited Warranty for all mounts is void if the mount is transferred from one location to another. To the maximum extent permitted by applicable law, SUNCRAFT SOLUTIONS, INC. disclaims any other warranties,

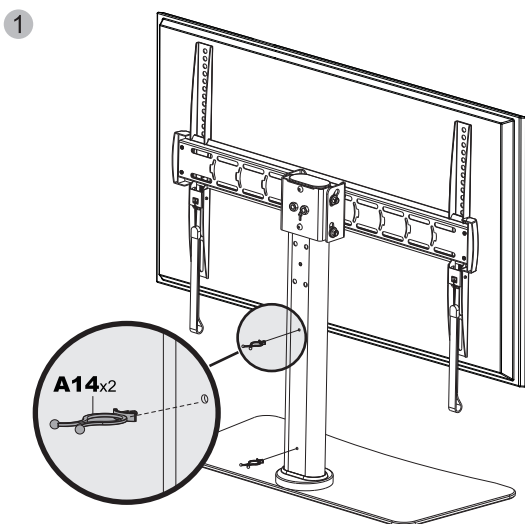
express or implied, including warranties of fitness for a particular purpose and warranties of merchantability, SUNCRAFT SOLUTIONS, INC. will not be liable for any damages whatsoever arising out of the use or inability to use its products, even if SUNCRAFT SOLUTIONS, INC. has been advised of the possibility of such damages. To the maximum extent permitted by applicable law, SUNCRAFT SOLUTIONS, INC. disclaims any responsibility for incidental or consequential injuries, damages to persons, properties and other items.

For warranty claims made during the stated warranty period, SUNCRAFT SOLUTIONS, INC. will replace any defective product part free of charge. Contact SUNCRAFT SOLUTIONS, INC. at 1-855-816-6868 to make a warranty claim or e-mail warranty@suncraftsolutions.com. Proof of warranty is required. This Limited Warranty does not cover the costs of removing and replacing defective parts from your SUNCRAFT SOLUTIONS, INC. product. SUNCRAFT SOLUTIONS, INC. assumes no liability for any installation, adjustment or other costs.

15

Step 7A: Cable Management

- Install two Cable clamp (A14) by snapping into the holes of Pole (B2).



13

GENERAL DISCLAIMER

General Disclaimer

Disclaimer – Suncraft Solutions Inc. has extended every effort to ensure to accuracy and completeness of this manual. However, Suncraft Solutions Inc. does not claim that the information covers all installation, situational or operational variables. The information contained in this document is subject to change without notice or obligation of notification of any kind. Regarding the information contained herein, Suncraft Solutions Inc. makes no representation of warranty, expressed or implied, and assumes no responsibility for accuracy, sufficiency, or completeness of the information contained in this document.

WARNING: FAILURE TO READ, THOROUGHLY UNDERSTAND, AND FOLLOW ALL INSTRUCTIONS CAN RESULT IN SERIOUS PERSONAL INJURY, DAMAGE TO PERSONAL PROPERTY, OR VOIDING OF LIMITED WARRANTY!

It is the responsibility of the installer of this product to ensure all components are properly assembled and installed using the instructions provided. If you do not understand these instructions or have any questions or concerns, please contact customer service at 1-855-816-6868 or service@suncraftsolutions.com. Do not attempt to install or assemble this product if the product or hardware

is damaged or missing. In the event that replacement parts or hardware are needed, please contact Customer Service at 1-855-816-6868 or service@suncraftsolutions.com. International customers needing assistance should contact the Dealer from which they purchased the product.

The included hardware is designed for use on vertical walls constructed of wood studs or solid concrete. A wood stud wall is defined as consisting of a minimum of 2x4 wooden studs (1.5" wide by 3.5" deep 51 x 102 mm) with a maximum of 5/8" (16 mm) drywall. The included hardware is not designed for use with metal studs or cinderblock walls. If you are uncertain or unknowledgeable about the construction of your wall, then please consult a qualified contractor or professional installer for assistance. The wall you are mounting to must support 4 times the weight of the total load. The load is defined as the TV and Mount along with anything else suspended from the mount. If not, then the surface must be reinforced to meet this standard. The installer is responsible for verifying that the wall structure and hardware used in any installation method will safely support the total load.

16



If you get stuck, give customer service a call at 1-855-816-6868
You can also reach us at contact@suncraftsolutions.com

www.stanleymounts.com

A

Caution: Please read the entire manual before proceeding
View warranty and disclaimer on page 17

Getting Started

Before we start lets make sure we have the correct mount and all the required tools and hardware to complete the installation.

- ✓ The TV is a Flat Panel TV between 32" - 70" and weighs no more than 85lbs.
- ✓ You have all of the following tools:



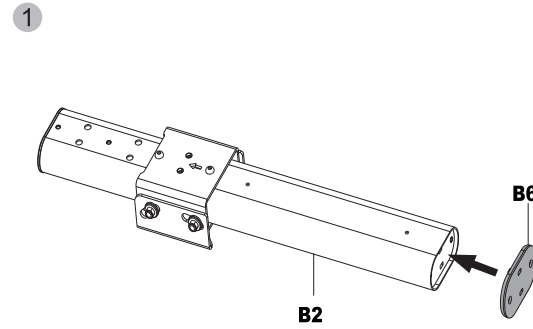
Check out our free level app in the app store!

If you answer "Yes" to all the questions above then you are ready to begin the TV Mount installation!

2

Step 2A: Preparation The Pole Assembly

- 1 Pole Plate(B6) snap into Pole(B2) bottom.



5

Step 3B: Adjust The Fixed Plate Height

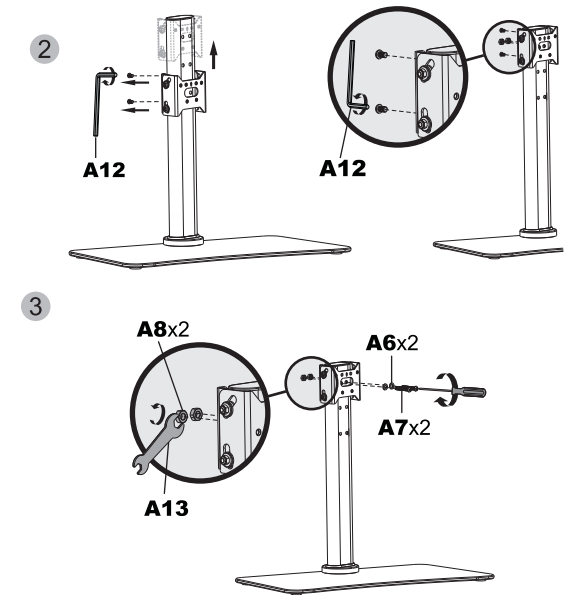
- 2 Loosen screws,remove the fixed plate,then tighten screws.
- 3 Tighten nuts and screws.

Note: Adjust the fixed plate height according to the TV size.

Tools Required:



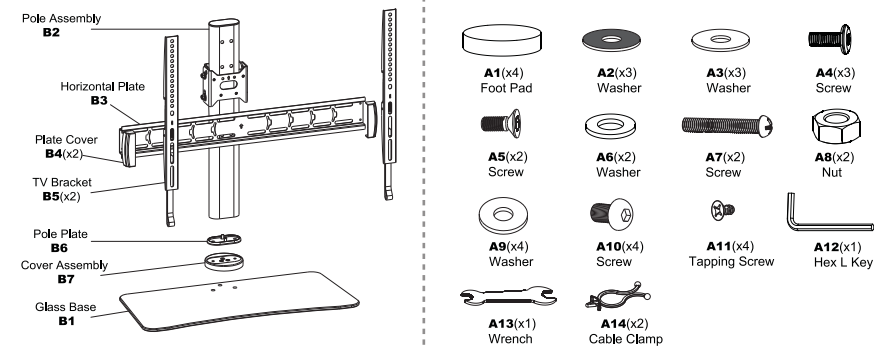
8



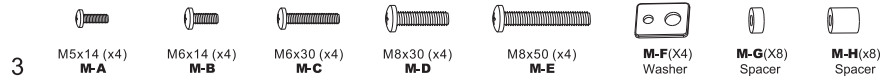
Caution: This product contains small items that could be a choking hazard if swallowed.

Parts & Hardware

Caution: Before starting assembly, verify all parts are included and undamaged. If any parts are missing or damaged, do not return the damaged item to your dealer; contact Customer Service. Never use damaged parts or previously used parts!



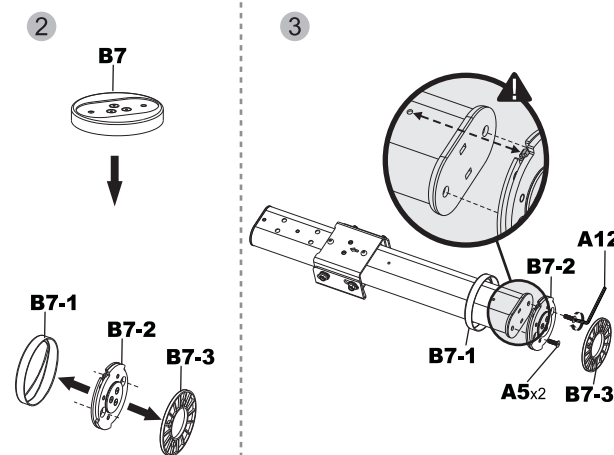
For Attaching TV to Mount



3

Step 2B: Preparation The Pole Assembly

- 2 Detach Cover Assembly(B7) to 3 parts (B7-1\B7-2\B7-3).
- 3 Install Cover(B7-1) onto Pole(B2); Align metal plate (B7-2) with Pole Plate on the bottom by inserting 2 screws (A5), tighten with hex key (A12). Snap (B7-3) onto (B7-2 & B7-1).



6

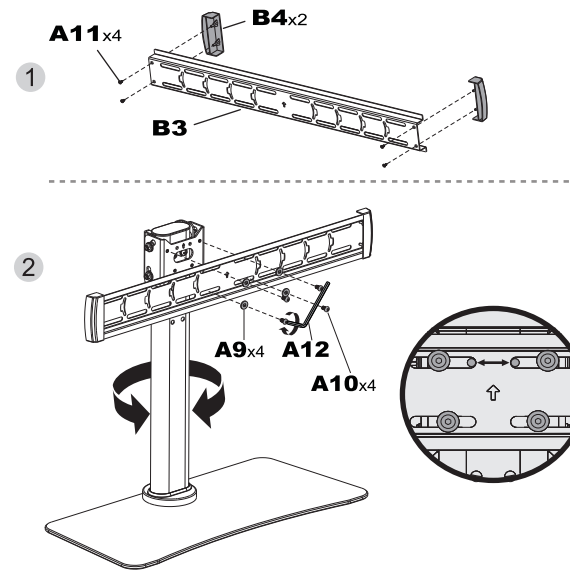
Step 4: TV Plate Assembly

- 1 Snap TV plate cover(B4) onto to Horizontal plate(B3). Insert screws(A11). Tighten by Screw Driver.
- 2 Align Horizontal Plate(B3) with Pole(B2), insert screw(A10) with washer(A9). Tighten by Hex key(A12).

Tools Required:

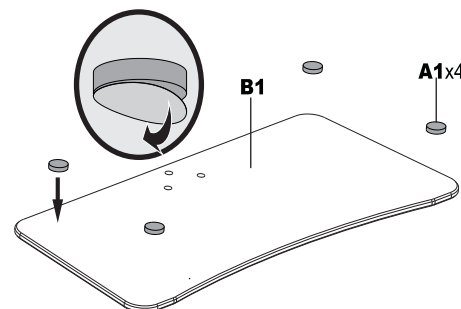


9



Step 1: Preparation

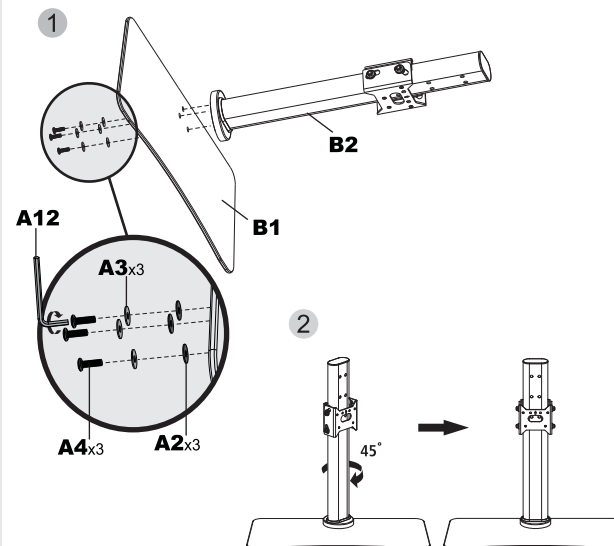
- 1 Foot Pads(A1) apply to Glass Base(B1) with adhesive side.



4

Step 3A: The Pole Assembly

- 1 Connect Pole onto Glass Base (B1) with two type Washers (A2,A3) and Screws(A4), tighten by hex key(A12).
- 2 After connecting, rotate the pole by 45 degrees.



7

Step 5A: Install Your TV

- 1 Check what screw size fit in your TV (M-A,M-B,M-C, M-D,M-E).
- 2 Align the TV bracket onto the back of the TV and install with the appropriate hardware and tighten.

Tools Required:



10

