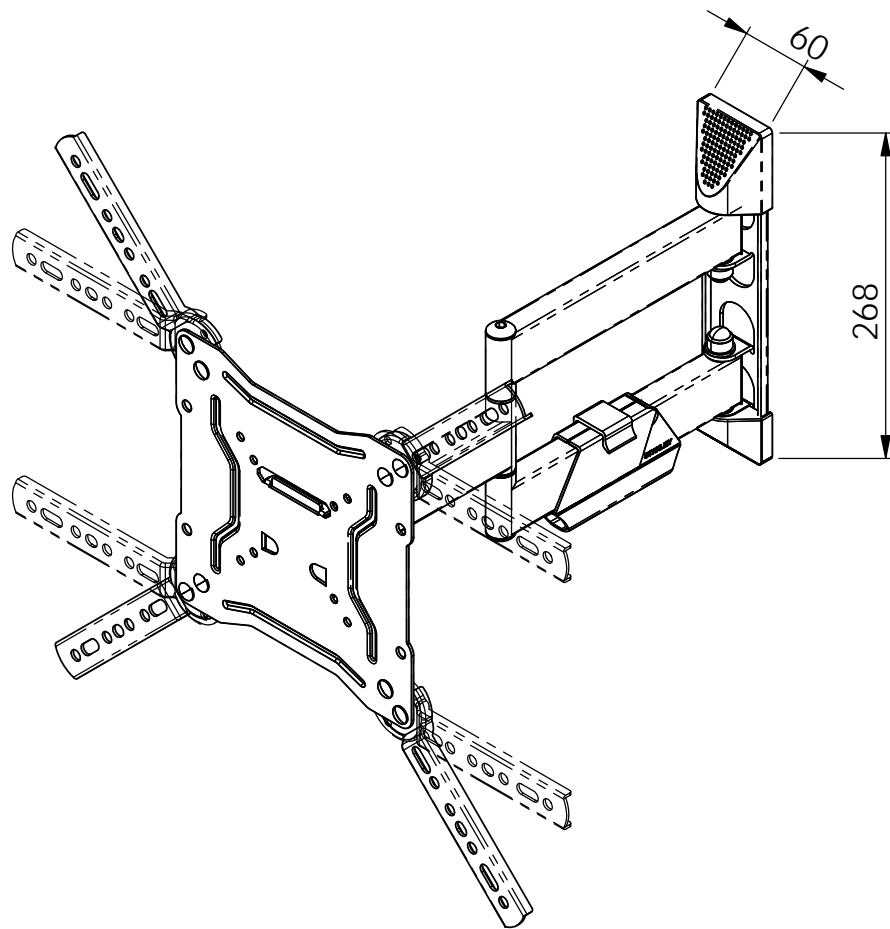




△ A 关键尺寸

△ B 重要尺寸

⓪ 版本号



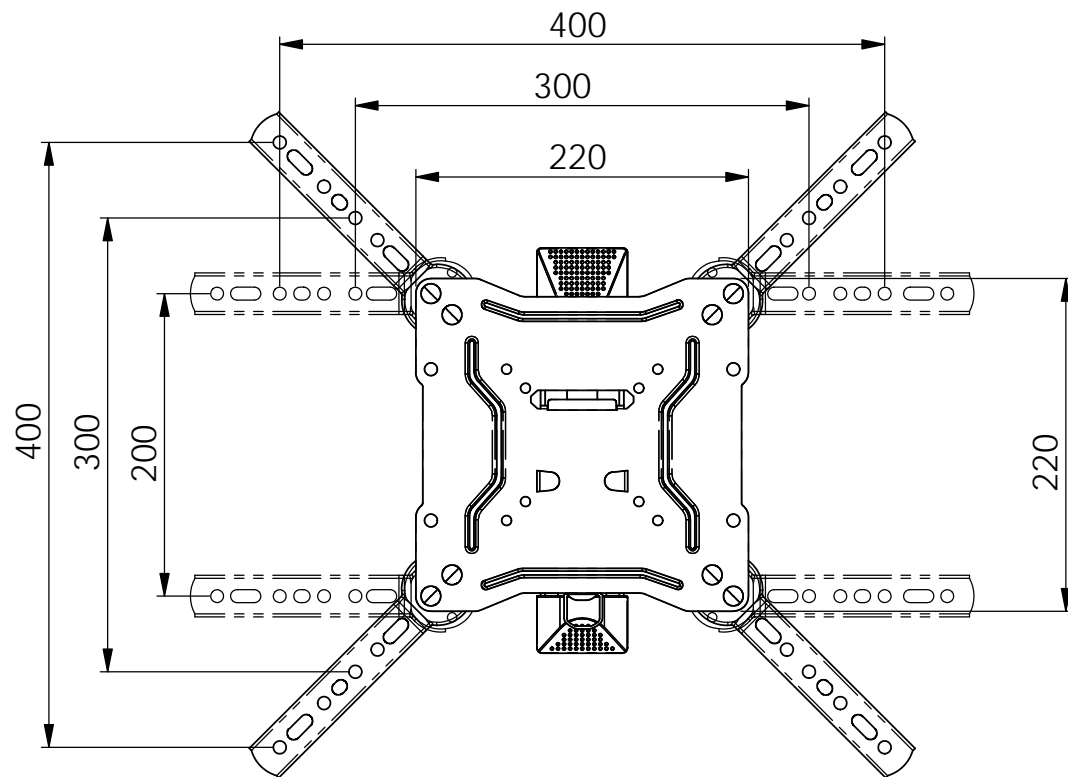
比例 1 : 5

DRAWING NO.		TOL UNLESS SPECIFIED 1 PLC DEC: ±0.25 2 PLC DEC: ±0.10 ANGLES: ±0.5°		 					
SCALE	REV	SIZE	SHEET	PART		REV	ECN	SIGN	DATE
NO SCALE	0	A4	1/1						
Suncraft				MATERIAL: SEE NOTE		DESIGNED	SUNCRAFT		
						DRAWN	Kate	2014.07.31	
						CHECKED			
						APPROVED			

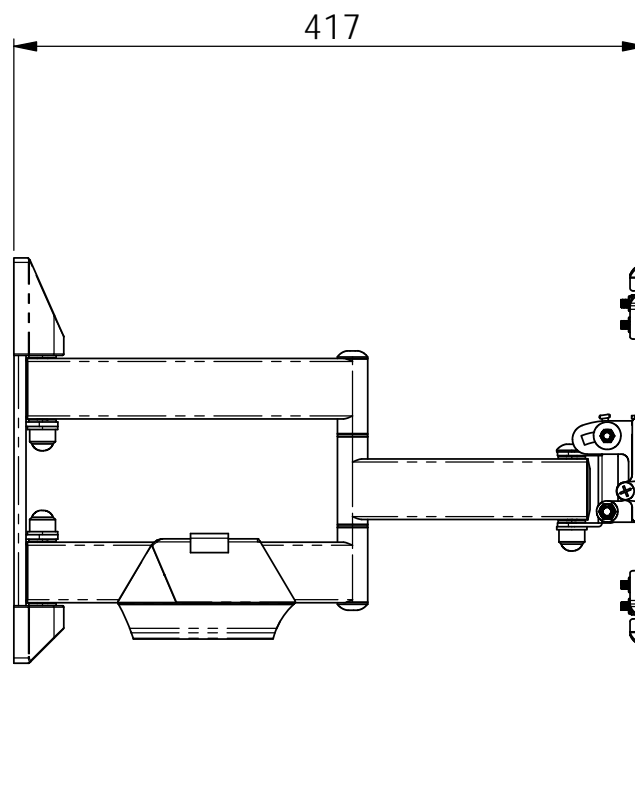
△ 关键尺寸

△ 重要尺寸



⑥ 版本号



比例 1 : 5



比例 1 : 5

DRAWING NO.		TOL UNLESS SPECIFIED 1 PLC DEC: ±0.25 2 PLC DEC: ±0.10 ANGLES: ±0.5°		 					
SCALE	REV	SIZE	SHEET	PART		REV	ECN	SIGN	DATE
NO SCALE	0	A4	1/1						
<h1>Suncraft</h1>				MATERIAL:		CHECKED			
				SEE NOTE		APPROVED			
						DESIGNED	SUNCRAFT		
						DRAWN	Kate	2014.07.31	