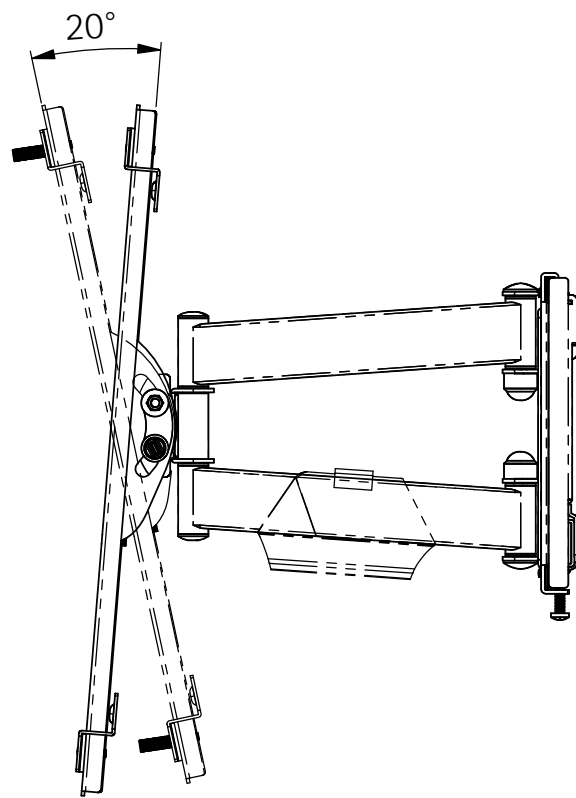


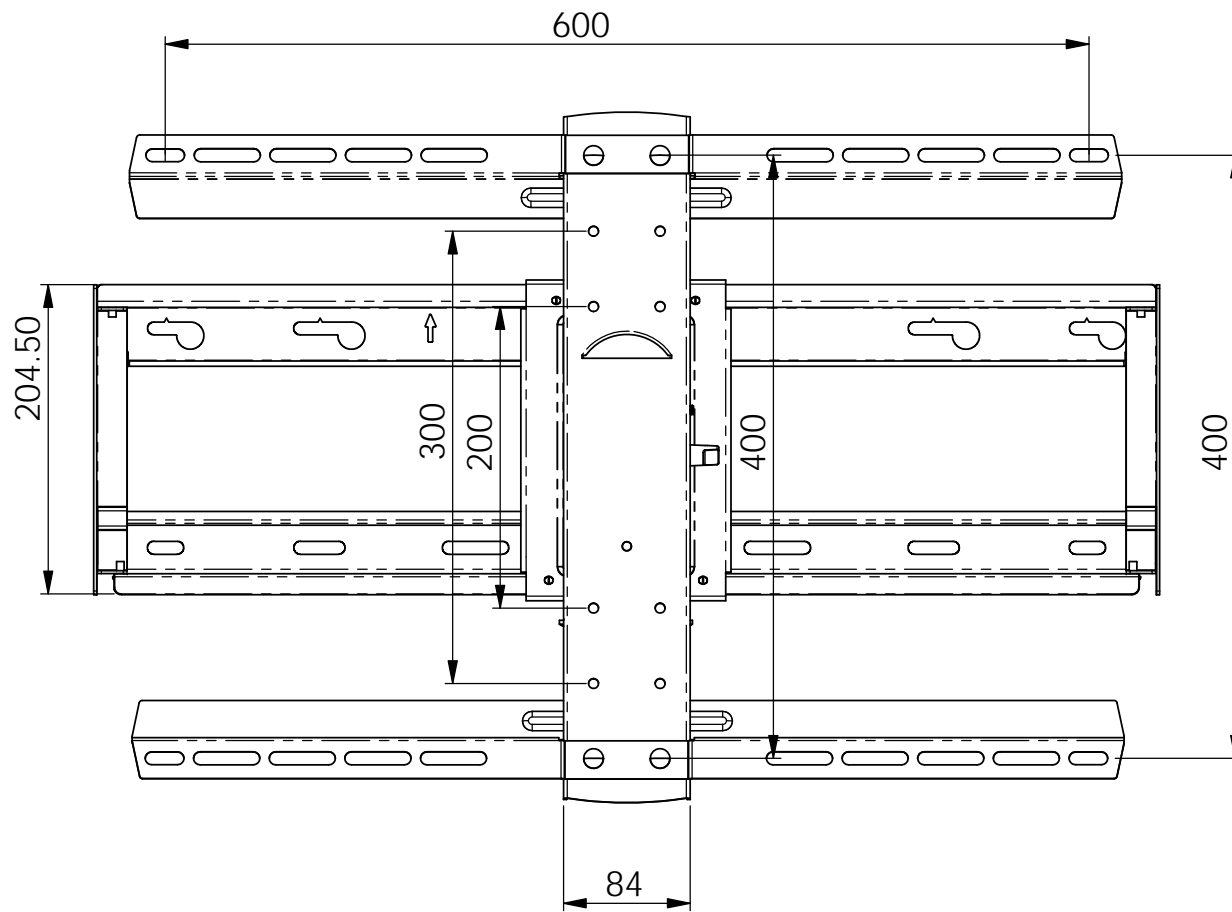
△ 关键尺寸

△ 重要尺寸

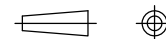
Ⓢ 版本号



比例 1 : 5



DRAWING NO. 比例
 TOL UNLESS SPECIFIED
 1 PLC DEC: ±0.25
 2 PLC DEC: ±0.10
 ANGLES: ±0.5°



SCALE	REV	SIZE	SHEET	PART
NO SCALE	0	A4	1/1	

Suncraft

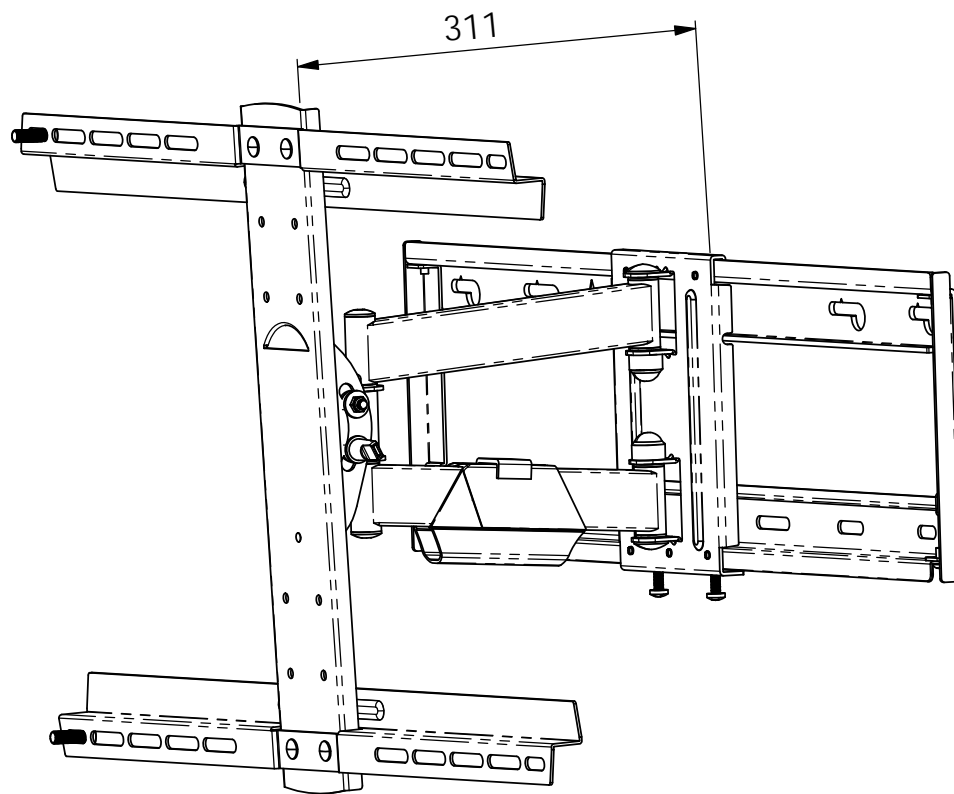
MATERIAL:
SEE NOTE



REV	ECN	SIGN	DATE
DESIGNED	SUNCRAFT		
DRAWN	Kate		2014.07.31
CHECKED			
APPROVED			

△ A 关键尺寸

A △ B 重要尺寸

⓪ 版本号



DRAWING NO.		TOL UNLESS SPECIFIED 1 PLC DEC: ±0.25 2 PLC DEC: ±0.10 ANGLES: ±0.5°		 					
SCALE	REV	SIZE	SHEET	PART		REV	ECN	SIGN	DATE
NO SCALE	0	A4	1/1						
Suncraft				MATERIAL:		CHECKED			
				SEE NOTE		APPROVED			

比例 1 : 5

F

F