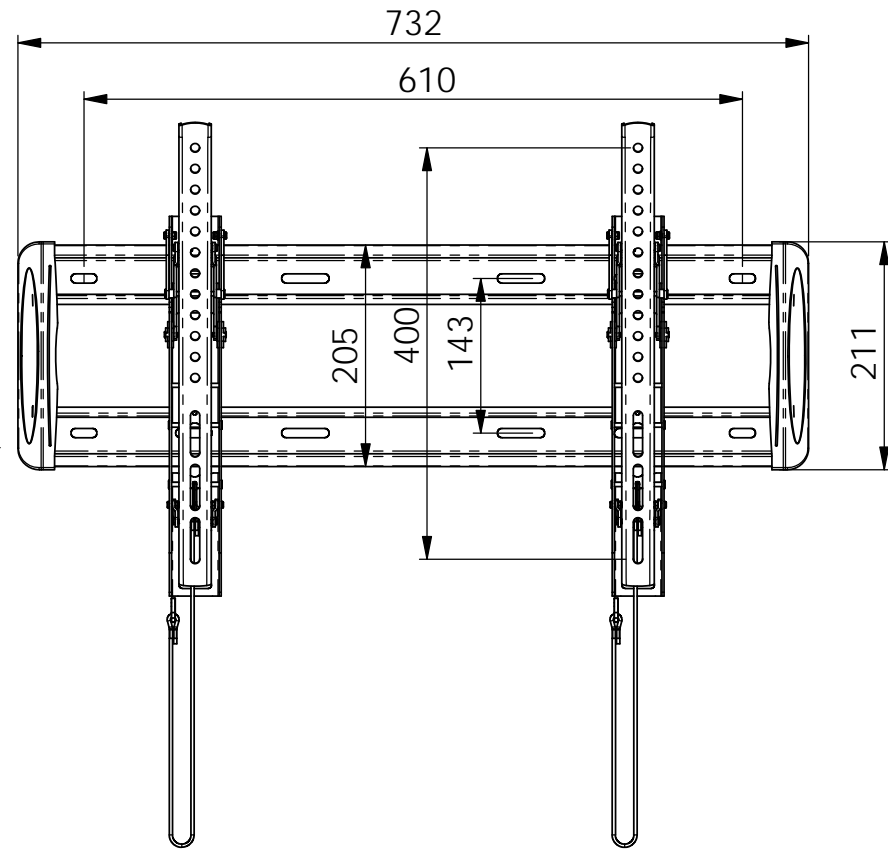
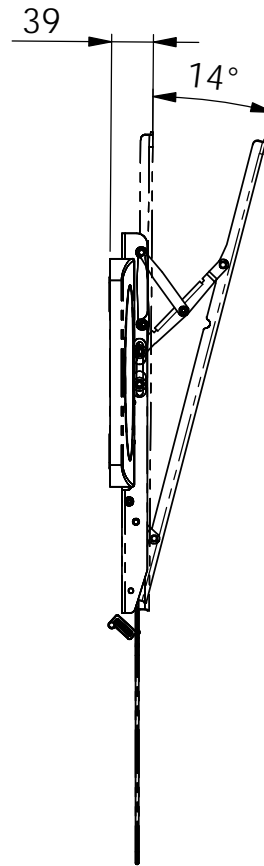


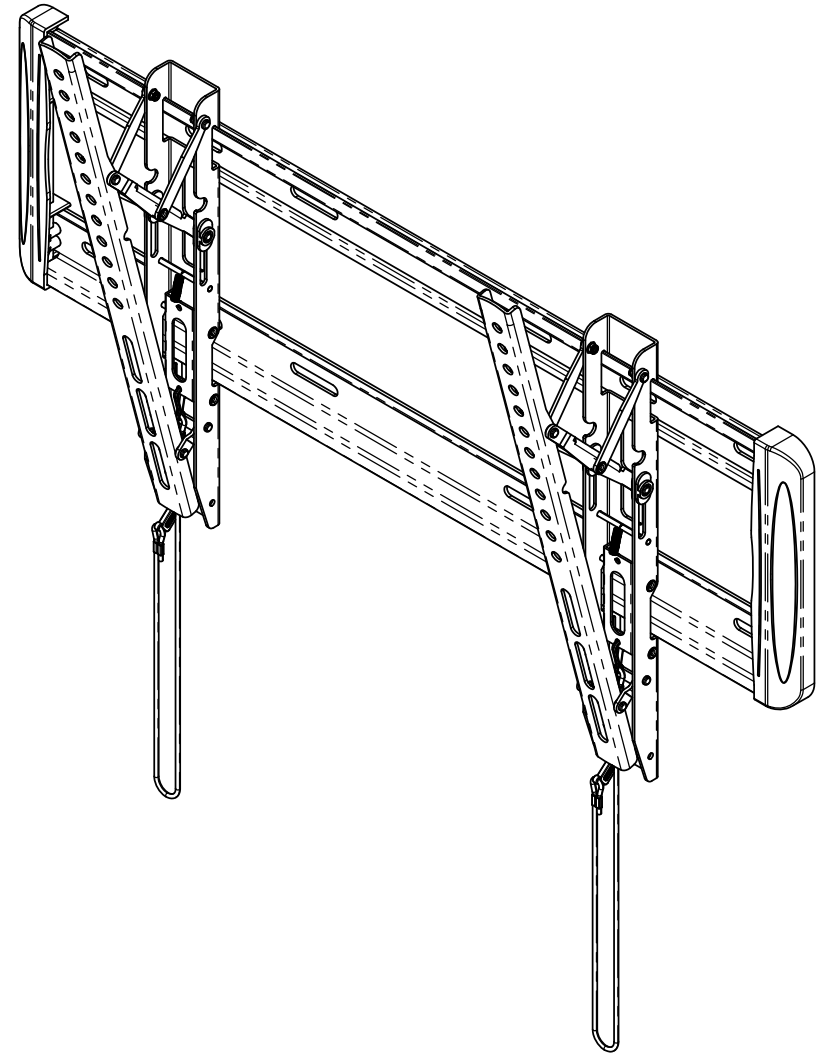
- △ A 关键尺寸
- △ B 重要尺寸
- Ⓞ rev 0 版本号



比例 1 : 7



比例 1 : 7



DRAWING NO.		TOL UNLESS SPECIFIED 1 PLC DEC: ±0.25 2 PLC DEC: ±0.10 ANGLES: ±0.5°		PART		REV	ECN	SIGN	DATE
SCALE	REV	SIZE	SHEET	PART		DESIGNED	SUNCRAFT		
NO SCALE	0	A4	1/1			DRAWN	Kate		2015.08.10
Suncraft 比例 1 : 5						CHECKED			
						MATERIAL: SEE NOTE			