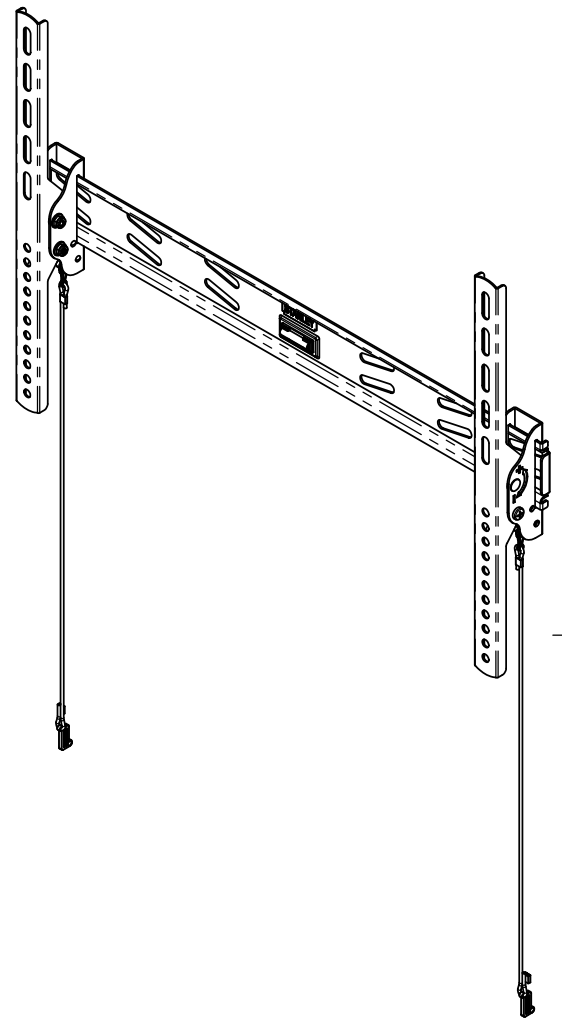
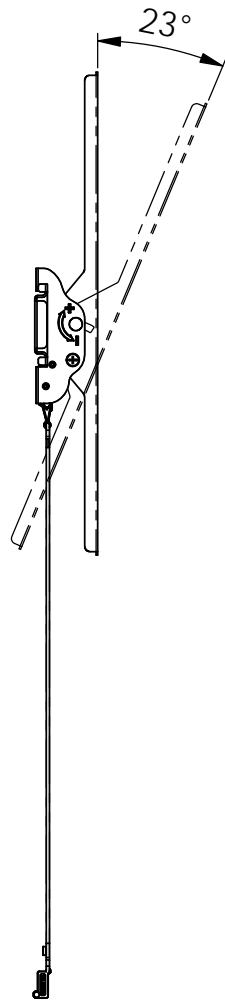
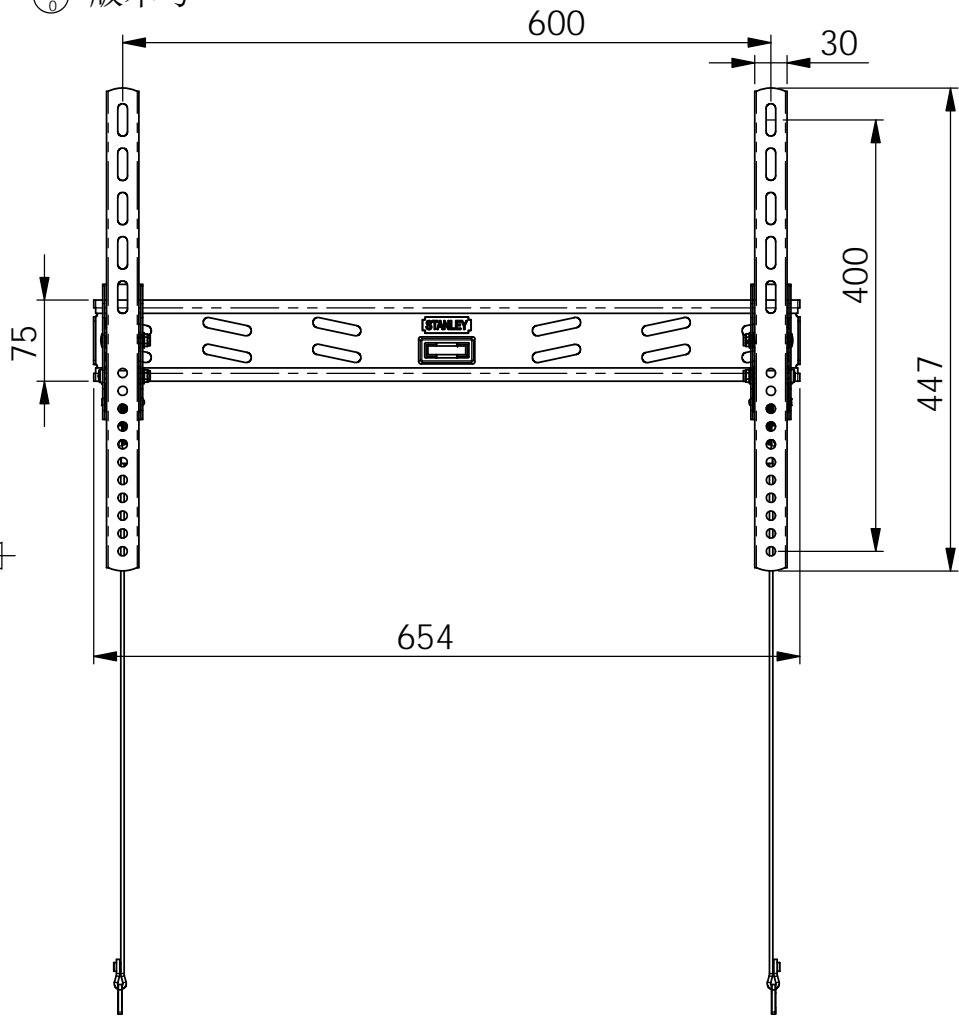


- △ 关键尺寸
- ▢ 重要尺寸
- Ⓢ 版本号



比例 1 : 7

比例 1 : 7

| | | | | | | | |
|-------------------|-----|----------------------|-------|-----------|----------|------|------------|
| DRAWING NO. | | TOL UNLESS SPECIFIED | | 比例 1 : 7 | | | |
| | | 1 PLC DEC: ±0.25 | | | | | |
| | | 2 PLC DEC: ±0.10 | | | | | |
| | | ANGLES: ±0.5° | | | | | |
| SCALE | REV | SIZE | SHEET | PART | | | |
| NO SCALE | 0 | A4 | 1/1 | | | | |
| <h1>Suncraft</h1> | | | | MATERIAL: | | | |
| | | | | SEE NOTE | | | |
| | | | | REV | ECN | SIGN | DATE |
| | | | | DESIGNED | SUNCRAFT | | |
| | | | | DRAWN | Kate | | 2015.08.10 |
| CHECKED | | | | | | | |
| APPROVED | | | | | | | |