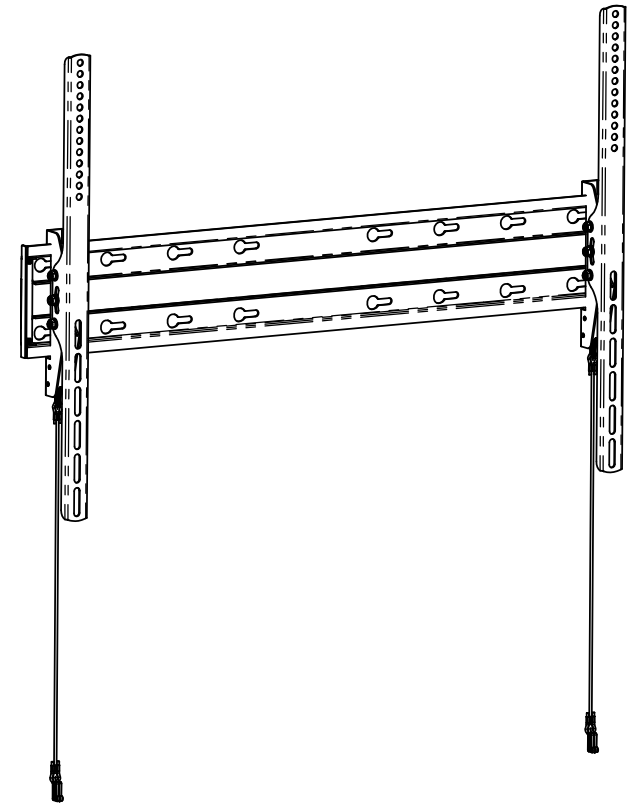
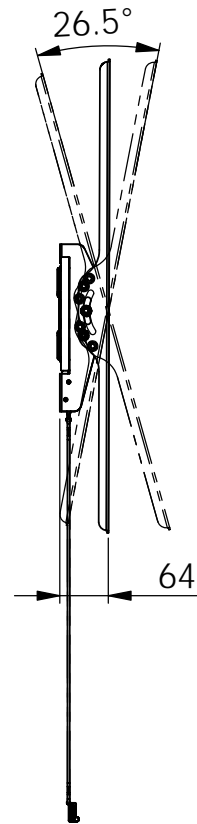
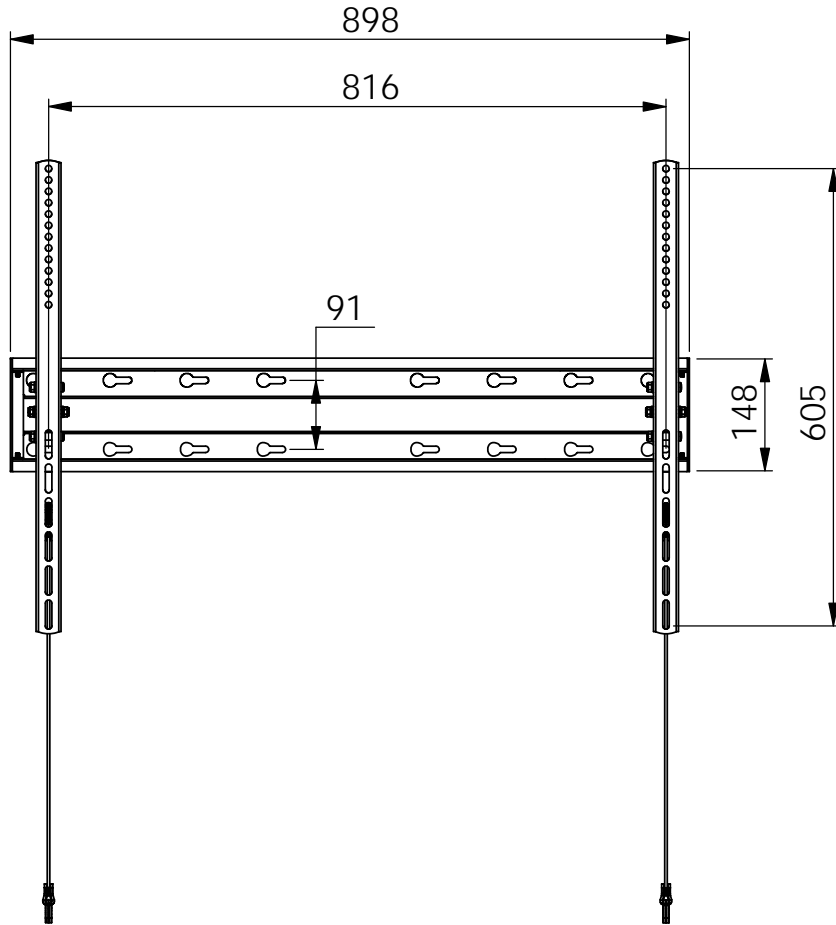


△ A 关键尺寸

△ B 重要尺寸

Ⓢ 0 版本号



DRAWING NO.		TOL UNLESS SPECIFIED 1 PLC DEC: ±0.25 2 PLC DEC: ±0.10 ANGLES: ±0.5°		PART		REV	ECN	SIGN	DATE
SCALE	REV	SIZE	SHEET	THR-EC3816		DESIGNED	SUNCRAFT		
NO SCALE	0	A4	1/1			DRAWN	Kate		2018.11.01
MATERIAL:				SEE NOTE		CHECKED			
						APPROVED			

Suncraft

THR-EC3816

SEE NOTE

REV: 0
ECN:
SIGN: Kate
DATE: 2018.11.01