

RACHING



**ShenZhen Raching Technology Co.,Ltd**

Manufacturer Address: No.7, Second road,Xiakeng Industry,  
ChangpingTown, DongGuan City,GuangDong,China

www.rachingglobal.com    Made In China

RACHING



**RACHING**  
FOR AGING

## Precise Electronic Cigar Cabinet User Manual

Thanks for choosing Raching cigar cabinet, before using it, pls read this  
instructions carefully and keep it for future reference.

# Contents

01	Structure Diagram	P1
02	Product Features	P2
03	Safety Precautions	P3
04	Installation	P4
05	Run & Control Settings	P7
06	Daily Maintenance	P9
07	Common Faults Handling	P9
08	Electric Circuit Diagram	P11
09	Technical Data	P12
10	After-Sales Service	P13

# RACHING

## Dear Customer:

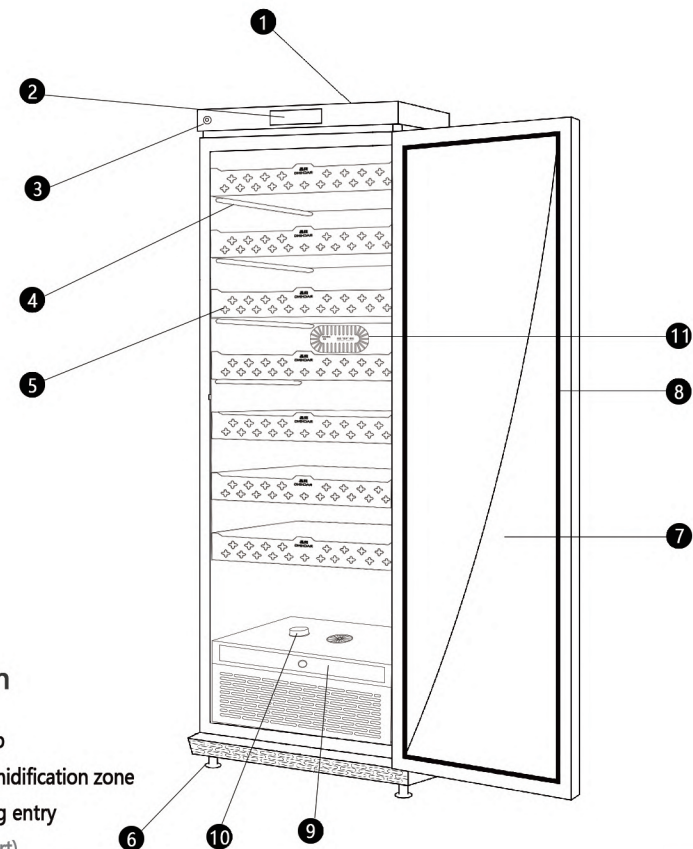
Thanks for choosing Raching Horizontal Line Precise Smart Cigar Cabinet humidor. You will get a professional quality service. For your convenience, please read this instructions carefully and operate as per the steps, this will help you to use it more smoothly.

Due to product updates, the cigar humidor which you purchased may not be exactly the same as the one described in this manual, and we apologize for this.

## 01 Structure Diagram

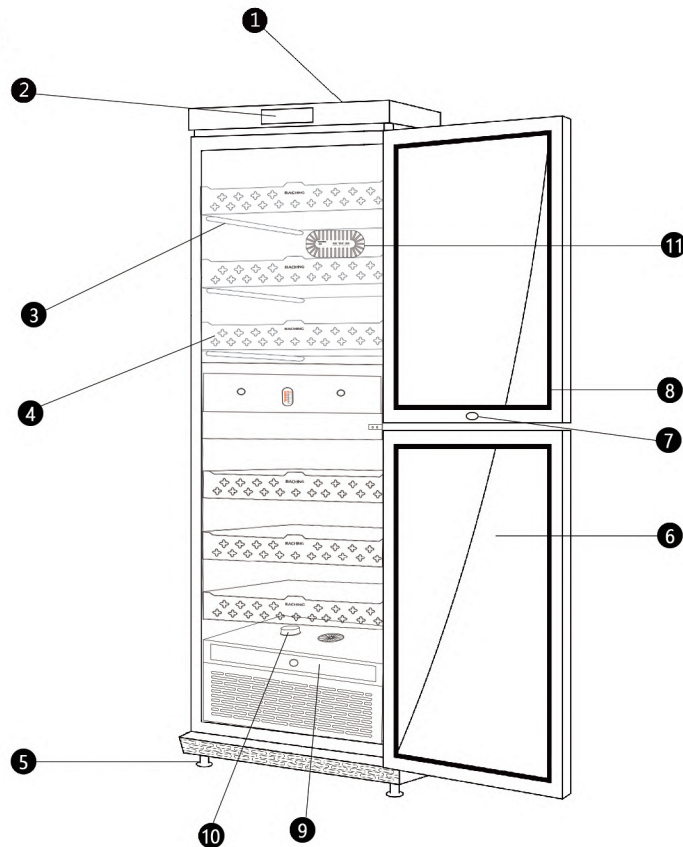
### Raching Dual-zone Humidor Structure Diagram

- |                      |   |                                     |
|----------------------|---|-------------------------------------|
| ❶ Cigar cabinet body | ❺ Cedar shelf   | ❽ Door sealing strip                |
| ❷ Screen             | ❻ Adjustable cabinet feet   | ❾ Cigar quick dehumidification zone |
| ❸ Lock               | ❼ Heatproof hollow glass door   | ❿ Pure water-adding entry           |
| ❹ Cedar shelf        | ⓫ Raching Ammonia Removal Module (Option part)<br>(For model MON800A, it will be conceal installed in the ceiling of the cabinet) |                                     |



## Raching Dual-zone Humidor Structure Diagram

- ① Cigar cabinet body
- ② Screen
- ③ Cedar shelf
- ④ Cedar shelf
- ⑤ Adjustable cabinet feet
- ⑥ Heatproof hollow glass door
- ⑦ Lock
- ⑧ Door sealing strip
- ⑨ Cigar quick dehumidification zone
- ⑩ Pure water-adding entry
- ⑪ Raching Ammonia Removal Module



## 02 Product Features

### PID Precise Smart Frequency Conversion

The entire process of constant control in temperature and humidity is linear, "Horizontal line" high precise constant humidity.

### Dual core system

Dual system without stuck, linear automatic switching, rebuilt a precise "cigar temperate zone" microclimate inside.

### Submarine-style water cooling 0 dehumidification

The whole cooling process of the evaporator is under water, zero contact with the air in the cabinet, zero dehumidification, no dry-frozen.

### Hydrophilic evaporator cloud humidification

Hydrophilic copper tube condensation nucleus, nano-scale invisible humidification.

### Fresh water humidification

Water cooling circulation technology, bacteria and microbes are difficult to survive inside the humidor.

### Multi-sensors of temp & humidity tour inspection

Multi-sensors of temp & humidity inside of the cabinet, no blind area, the temp & humidity control is more precise and stable.

### Independent cigar quick dehumidification zone

Creating integrated dual function of cigar aging and smoking, activating the original extraction of cigar quickly.

### Spanish cedar for liners

Full Spanish cedar for liners and shelves, better for aging cigars.

### Raching Ammonia Removal Module (Option part)

Global initiative radio water ion ammonia removal technology Core accessories imported from Japan, make the cigar taste be more mellow and pure.

## 03 Safety Precautions

### Please abide by the following rules when you use it:

- Please check whether the voltage on the label is consistent with that of household. If the voltage fluctuates largely, it might cause cannot start and the control board and compressor burned or compressor works with abnormal noise.
- It shall use independent and professional socket for reliable grounding connection.
- Unplug before cleaning, changing components or stopping using it. Do not unplug with wet hands.
- Do not damage power cord or pull the power cord to unplug it. Please hold the plug and unplug it.
- Do not press or trample the power cord. Be careful when moving this cigar cabinet humidor to avoid damage the cord.
- Do not hang the cord at table, counter or close to the hot surface.
- Keep it away from the heat. Please ensure that it keep at least 10 cm away from the wall or the objects that obstruct ventilation.
- Do not place any flammable and explosive products or acids, bases ect strong corrosive items in the cabinet.

- If there is flammable gas leaks, please turn off the valve and open the door and window.
- Do not let the children climb the cabinet, to avoid any injury causing of it overturned.
- Do not place any heavy objects or some containers filled with water on the top of the cigar cabinet.
- This product is specially for cigar storage, it cannot be used for other purposes, such as storing blood, medicine or biological products etc.

### [CAUTION]

- This cigar humidor can only be repaired by the manufacturer or the appointed professional staff.
- Keep good ventilation, clean out obstructions.
- Please do not put other electrical appliance in the cigar humidor.
- Do not disassemble, reconstruct this cigar humidor. It shall be forbidden to damage the refrigeration pipe line.
- The interior and exterior of this cigar humidor are made of wood, please pay attention to waterproof and moisture-proof. Do not spray or flush the cigar humidor with water, and do not place the cigar humidor in a humid, splashy place, to avoid the corrosion or damage the insulation of the cigar humidor.

**Do not move the cigar humidor when it's working normally, to avoid the inside water spilling over. If it needs to be moved, please power off and then use the provided syphonage pumping device to pumping the water inside of the humidor.**

## 04 Installation

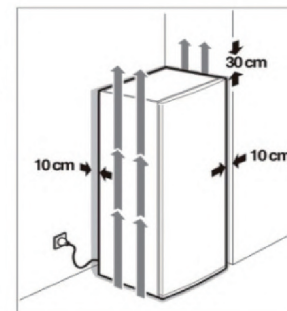
Please check whether the product is undamaged once you receive it.

**Please NOTE:** Due to the exterior of the cigar humidor is made of natural veneers, different batches of products will have color difference, which is not the product quality problem

### 1. Placement:

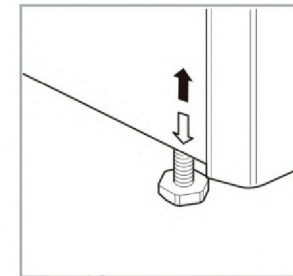
Place the cigar humidor in where you would like to installation, and this place shall be,

- Away from the heat, good ventilation.
- Not damp.
- Flat surface, and make sure there is a distance of 10 cm at least between the cigar humidor and surroundings.
- With power supply (standard power socket, rating voltage, 10A current, grounded).



### 2. Adjustable Feet

- Adjust the four screws at the bottom of the humidor to a suitable height.
- Make the feet stand on a same level to avoid shake and noise
- Turn clockwise, the screw will be tight. Turn anti-clockwise, it will be loose.



### 3. Usage

- Open the door to check whether the interior is intact. Remove the protective materials in the cigar humidor, and adjust the racks as per your needs.

**For your first time to use this cigar humidor, please ensure it is power on and keep adding pure water until this icon "Add water" on the screen go out, then stop adding water.**

- After adding water, please adjust the temperature and humidity as your needs, and then keep the empty cigar humidor run for 5 hours before storing cigars.
- If you need to move the cigar humidor, the angle of inclination shall be less than 45°. If there are objects inside of the humidor, please take them out.

**Please keep the cigar cabinet humidor stand still for 5 hours before power on, if it is brand new or just after handling.**

#### 4. How to add or pump water for your cigar cabinet humidor

##### Fill in the water tank of dual-zone humidor's lower zone (Or Raching single-zone humidor):

- Power on your cigar humidor, turn on the inside LED light if needed.
- Open the door and take the bottom shelf out.
- Take the white sealing cover out (See picture 1)
- Put the accessory funnel in the water-adding entry (See picture 2)



Picture 1



Picture 2

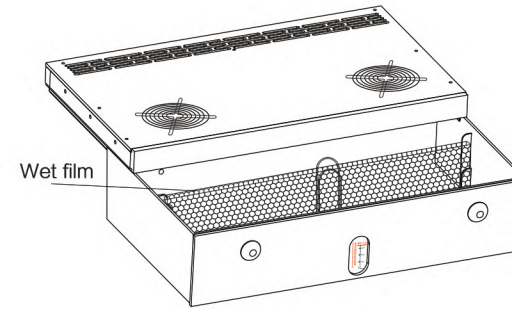
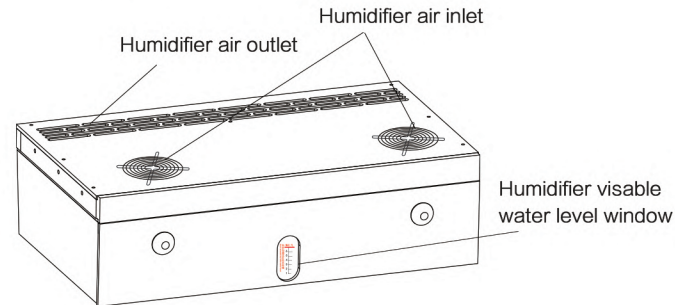
Pls add pure water or distilled water through the funnel;

**NOTE:** The max water is 7.2L, do not operate it until the water up to 3.8L.

- The icon “Add water” will flicker during adding water. Pls stop adding water when the inside LED lights flicker once and a squeal by the buzzer, the icon disappear.
- The icon “Add water” will disappear after topping up with water, please stop adding water to avoid the water flowing out and damage the cabinet.
- If the icon “Add water” flickers, it means this cigar cabinet humidor lack of water slightly but it stil can work, please add pure water or distilled water as the above method.

##### Fill in dual-zone humidor's upper zone:

- First of all, open the door of the upper zone.
- Pull out the water tank in the upper zone.
- Add some distilled water or purified water inside, make sure the water level is under a red line on the water tank.
- After adding water, please push the water tank and put it to its original position.



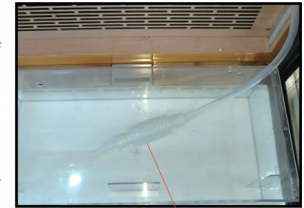
##### To replace the wet film:

The wet film (humidifier cotton) of this humidor is a consumable material, in order to prevent the spread of bacteria and ensure the humidifying performance is perfect, please replace the wet film every 3 months.

##### Method of pumping water:

- Power off the cigar cabinet humidor
- Open the door and take out the bottom shelf of the cigar cabinet humidor.
- Remove the white color rubber plug.
- Prepare a container, use the siphon pumping device to insert the bottom of water tank (please see the below photo), put side down the extrusion head of the siphon pumping device at the bottom of the water tank, press the extrusion head repeatedly until the water drained from the extrusion head, then stop ex-trusion press, the water will flow out from the water tank into the container.

- To ensure the water can be drained smoothly, the height of the container do not exceed 15 cm.
- Pls note: It adopts the principle of siphon, to ensure pumping water smoothly, the container shall be placed a lower position than the water tank of the cigar cabinet humidor.



Extrusion head

#### 5. How to install and use the shelves of the cigar cabinet humidor?

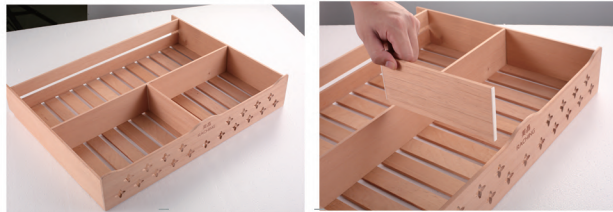
- There are two different types and materials of the shelves for the user option.



- To make the adjustment of shelves be more convenient, the underneath of the shelves use wooden rails, do not make it come off when draw out the shelves.



- The shelves in the top area with cross baffle, it can be taken as a naked cigar storage area for short and medium term, also it can be removed freely to store cigar with boxes.



- The shelves are removable and adjust the up-down space.



## 6. Suggestions for display and storage

The cigar cabinet humidor is designed for store a large number of cigars base on safety, to ensure store your cigars better, please take note the following points:

- Place the cigars on the shelves evenly.
- When place the cigar boxes, in favor of air circulation, please leave a gap between each box.
- Do not exceed the edge of the shelves when place the cigars, keep at least 30mm distance between the top point of those cigars placed on each shelf and the bottom of the upper shelf.

## 7. Safety Lock

The cigar cabinet humidor is equipped with a safety lock and corresponding keys. Keys are in the plastic bags together with the User Manual.

Plug the key into the lock pin, turn anti-clockwise, the door open, and vise versa.

# 05 Run & Control Settings

To ensure it work stably to protect your cigars better, please use this cigar cabinet humidor under the temperature range 8-35°C.

Suggestions for different cigars' storage temperature and humidity:  
In a broad sense, the temperature and humidity range of cigar storage:

- Temp.: 16°C – 20°C
- Humidity: 65% – 70%

In a narrow sense, the temperature and humidity range of cigar storage:

- For the fresh cigars (within 5 years):
- Temp.: 20°C Humidity: 70%
- For the aged cigars (above 5 years):
- Temp.: 16°C-18°C , Humidity: 70%.

## 1. Cigar Cabinet Humidor Set Up

Single-zone MON Series Cigar Humidor



NOTE: Temp.: 16°C – 20°C Humidity: 65% – 70%

Dual-zone MON Series Cigar Humidor



NOTE: 1. Setting of the upper zone: 20-22°C 70-75%  
2. Setting of the lower zone: 16-20°C 60-70%

### Humidity setting:

Click the "Setting" key repeatedly, values on the LCD screen will be twinkling one by one. Please click "+" or "-" to set the humidity or temperature when its value is twinkling.



### Dehumidifying Mode

The optimal temp and humidity of smoking cigar is, temp between 20–30°C, humidity between 55–60%.

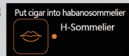
Raching cigar cabinet humidor can realize this condition in a short time. (It will be a regular

storage function area if the dehumidifying mode is not started up.)



### Please note:

If quick dehumidification is needed, please take out the cigars from the upper storage areas and put them into the quick dehumidifying area. Shut the drawer and touch “Put cigar into habanosommelier” on the screen.



### Odor-removing and degerming(Ammonia removal)

Raching Dual-zone cigar humidor, the default configuration is equipped with ammonia removal device, it can remove ammonia gas inside the humidor.

Users can click a key on the LCD screen to start or stop this ammonia removal function.

### Bare Mode

Bare Mode is suitable for those cigars stored for short and medium term. If the cigars need to be stored in a long term, it is suggested that to store them with box.

### Lighting Mode

Press the “Light” , the LED strips light up (it will turn off automatically after 30 mins). If you need the LED strips keep lighting up, please press this button twice.

## 06 Daily Maintenance

### 1. Humidor Preservation:

Remind: The interior and exterior of this cigar cabinet humidor are made of wood, please be cautious of the following points:

- The surface of this cigar cabinet humidor is one layer of protective substance, which is dealt with paint crafts. So please do not use harsh detergents or solvents, petrol or alcohol to clean it.
- Keep the cigar cabinet humidor away from direct sunshine.
- Do not knock the cigar cabinet humidor or scrape the surface with heavy objects.
- Use clean and soft cloth with little drips to do the cleaning.
- Do not place the cigar humidor in places that are too humid or too dry.
- If you need to place the cigar humidor on damp floor, please elevate the feet to a suitable height, otherwise the bottom part maybe corroded.

### 2. Deactivating the cigar cabinet humidor

If this cigar cabinet humidor will not be used in a long term, please drain out the water inside of the cigar humidor by the siphon pumping device, clean up all the objects inside, clean and dry it. To inhibit the odor and mould , please unlatch the door or keep it open if possible.

## 07 Common Faults Handling

### Cigar cabinet humidor does not work?

- Not power on.
- Circuit breaks down or fuse burns out.

### Cigar cabinet humidor can not reach the desired temperature and humidor?

- Check the temperature setting.
- Surrounding temperature is too high or ventilation is not good.
- The door is opened too frequently.
- The door does not close tightly
- Check the water volume of the cigar humidor.

### Cigar cabinet humidor restarts frequently?

- Indoor temperature is too high.
- Too many objects are stored in the cigar cabinet humidor.
- The door is opened frequently.
- The door does not close tightly.
- Temperature is not set properly.
- The sealing strip does not seal perfectly.

## The light built-in does not work?

- Not power on.
- Circuit breaks down or fuse burns out.
- The bulb burns out.
- The power does not switch on.

## Vibration?

- Check and make sure the humidor is placed levelly.

## Noise?

- It's normal if the cigar cabinet humidor is noisy when it starts up to work or stops working.
- Check whether there are other objects placed on the top of the cigar cabinet humidor.;
- If the cigar cabinet humidor is installed on wooden floor, maybe there is noise during running process.

## Cautions:

Under any circumstances, it shall unplug the power plug first if the cigar cabinet humidor cannot work, then ask for professional repairman to maintain it.

The cigar humidor shall be checked and maintained by professional repairman only. Please check whether the cabinet leaks current before re-usage.

## Several non-fault symptoms:

### The surface of the cigar cabinet humidor or its glass door frosted:

- When it installed in a humid environment or in a rainy day, condensation may form on the surface of the cigar cabinet humidor, especially on the outer surface of the glass door. This is due to the moisture in the air contact with the surface of the cigar cabinet. Please use dry and soft cloth to dry it.
- Please check whether the magnetic door are tightly sealed.

### Hear a sound like running water:

- The sound of the cigar cabinet humidor when it stops working
- The sound of refrigerant flowing in a refrigeration system
- The sound of evaporation of the refrigerant in the evaporator
- The sound of shrinking or expanding parts due to changes in the internal temperature of the cigar cabinet

### The LCD temperature and humidity shown on LCD screen is jumping up and down

- It indicates the changes of temperature and humidity

### Compressor is hot:

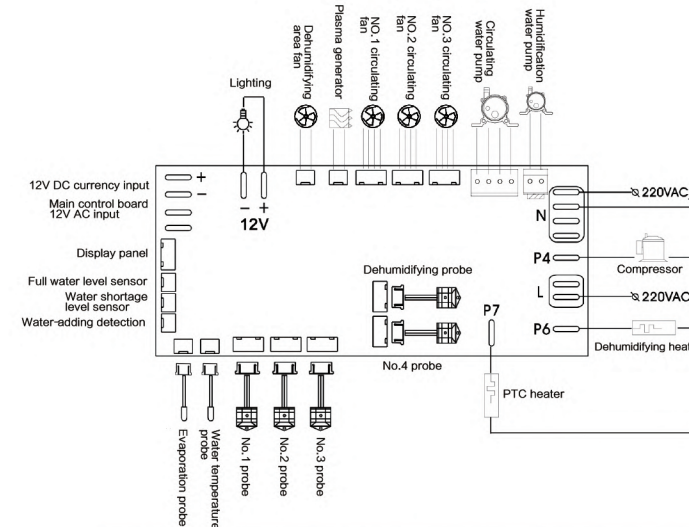
- When the cigar cabinet humidor is working in a place with relatively high ambient temperature, the temperature of the compressor casing will be high, and the temperature can reach to 85 ° C, which is a normal phenomenon.

# 08

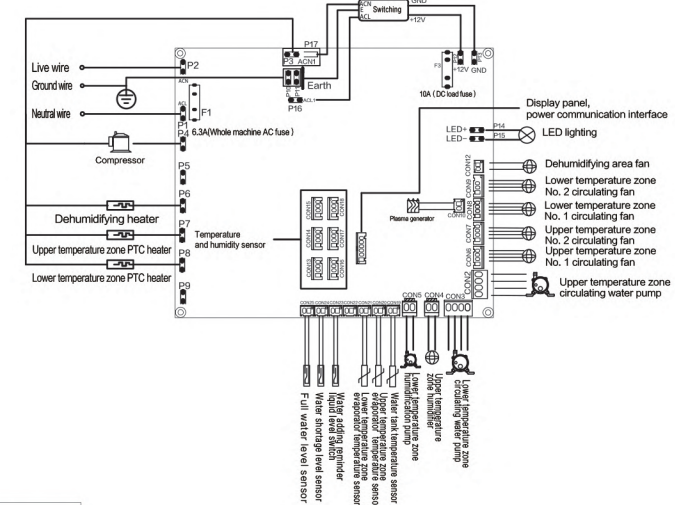
# Electric Circuit Diagram

## Wiring diagram of cigar cabinet humidor:

Main control board of single temp and humidity cigar cabinet



Main control board of dual temp and humidity cigar cabinet



This device uses an embedded complete 2.4GHz wireless LAN module  
Model: ESP-WROOM-02 Model approval code: CMIIT ID 2016DP3252



## 09 Technical Data

Model	Power / Frequency	Volume	Product Size (Height, Depth, Width)	Refrigeration Temperature	Rated Power	Lighting Power	Max Heating Power	Refrigerant	Net weight
MON800A	220V 50Hz 220V 60Hz	150L	820*600*610	16-22℃	129(20-340)W	10W	200W	R600a 35g	59kg
MON1800A		230L	1220*600*610		129(20-350)W	16W	200W	R600a 35g	75kg
MON2800A		330L	1620*600*610		142(24-410)W	25W	250W	R600a 65g	90kg
MON2800B		330L	1620*600*610		154(36-569)W	25W	400W	R600a 65g	95kg
MON3800A		380L	1820*600*610		145(24-410)W	25W	250W	R600a 68g	97kg
MON3800B		380L	1820*600*610		157(36-572)W	25W	400W	R600a 68g	105kg
MON5800A		580L	1865*690*700		155(20-505)W	20W	350W	R600a 45g	131kg
CT48A		450L	1850*690*700		155(20-505)W	20W	300W	R600a 45g	145kg
MON800A		110V 60Hz	150L		820*600*610	16-22℃	141(20-352)W	10W	200W
MON1800A	230L		1220*600*610	145(20-366)W	16W		200W	R600a 37g	75kg
MON2800A	330L		1620*600*610	150(24-410)W	25W		250W	R600a 62g	90kg
MON2800B	330L		1620*600*610	162(36-569)W	25W		400W	R600a 62g	95kg
MON3800A	380L		1820*600*610	165(24-430)W	25W		250W	R600a 65g	97kg
MON3800B	380L		1820*600*610	177(36-592)W	25W		400W	R600a 65g	105kg
MON5800A	580L		1865*690*700	155(20-505)W	20W		350W	R600a 45g	131kg
CT48A	450L		1850*690*700	155(20-505)W	20W		300W	R600a 45g	145kg

## After-Sales Service

Thank you for choosing our smart cigar cabinet humidor, you will get a professional and high-quality service. Our company promises the following services:

- From the date of purchase, if the product has any performance failure, the whole machine is guaranteed for one year, and the compressor is guaranteed for three years.
- Any damage caused by the following reasons shall not be guaranteed, and charging for the repair.
  - Damaged by improper handling, installation, use, maintenance, and storage.
  - Damaged by using a power supply voltage lower or higher than the local standard.
  - Warranty period is overdue.
  - Damage caused by disassembled, modified, or repaired the machine by the user himself/herself.
  - Failure or damage caused by force majeure (fire, earthquake, lightning strike, etc.).
- Damage caused by the operating environmental and condition, such as power supply, water source, temperature, humidity, etc factors which beyond the company's control, are not covered by the free warranty.
- Technicians need to get the corresponding machine information to provide you with faster service. Please provide:
  - Fault description
  - Purchase date
  - Cigar cabinet model

**This appliance is applicable to home use and similar purposes, such as**

- Stores, offices or other workplaces
- Farmland, hotels, motels and residential environments
- Family hotel, clubhouse environment
- Restaurant and similar non-retail applications

**Warning: Other appliances or electronic equipment shall not be used in the wine cooler unless the one recommended by the manufacturer**

#### **Related matters/regulations about abandonment**



This cooler adopts R600a refrigerant methyl formate foamed materials are flammable materials, waste freezers should be isolated from the fire source, and it can not be burned. Please hand it to a qualified professional recycling company to deal with, to avoid any hazards to the environment.



When the freezer is discarded, please remove the freezer door and the door seal, and place the door in a suitable position to avoid accidents when the child is playing.

For the compressor appliances that use flammable refrigerants, the user manual should include information about how the apparatus is installed, handled, repaired and handled.

The user manual of the compressor appliances that use flammable refrigerants shall include the below warnings:

**Warning:** There are no obstructions around the appliance or in the embedded structure, keep ventilation.

**Warning:** It is not allowed to use any mechanical equipment or other means to accelerate the defrosting process except the one recommended by the manufacturer.

**Warning:** Do not damage the refrigeration circuit.