



Leader Of The Climate-
controlled Cigar Cabinet

And any questions or suggestions please contact us in below ways.

Instagram: [rachinghumidor](#) E-mail: sales@raching.com

Facebook: <https://www.facebook.com/rachingofficial/>

WWW.RACHINGGLOBAL.COM Made In China

RACHING 
FOR AGING

**Constant Temperature
And Humidity Wooden
Cigar Humidor**

User Manual

Thanks for choosing Raching cigar humidor, please read this user manual before using it and keep it for future reference

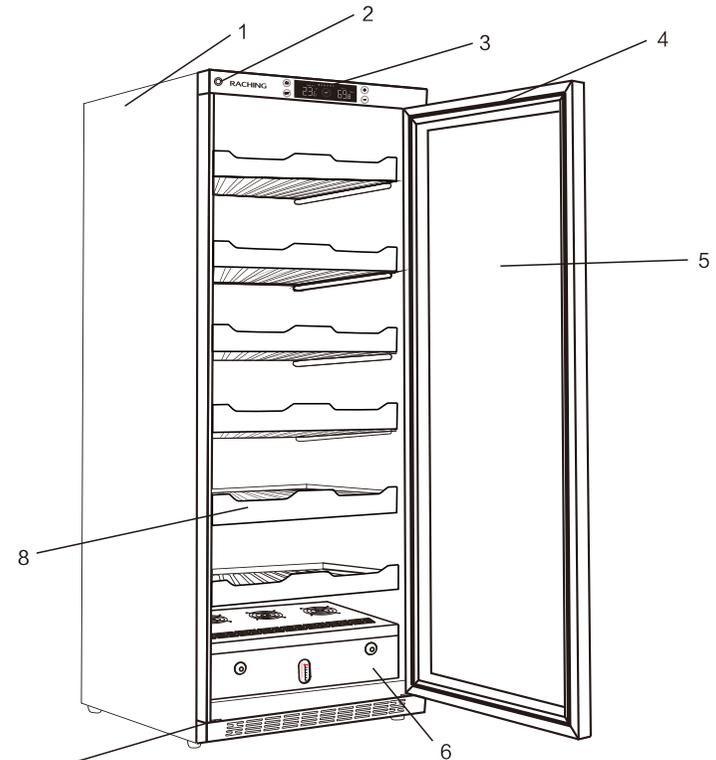
Contents

01 Structure Diagram	1
02 Safety Precautions	2
03 Installation Instruction	3
04 Operation And Setup	5
05 Daily Maintenance	7
06 Common Faults Handing	8
07 Electric Circuit Diagram	10
08 Technical Data	11
09 Parts List	11
10 After-Sale Service	12

Dear Customers:

Thanks for choosing Raching constant temperature and humidity control cigar humidor. You will get a professional and quality service. For your convenience, please read this instructions carefully and operate as per the steps, this will help you to use it more smoothly. Hope our product will bring you a highly quality life.

01 Structure Diagram



- 1.Cigar humidor body
- 2.Safety lock
- 3.LCD display control panel
- 4.Door sealing strip

- 5.Glass door
- 6.Humidifier
- 7.Door holder
- 8.Wood rack

02 Safety Precautions

Please obey the below rules when you use this cigar humidor:

- Check whether the voltage on the nameplate consists with that of house hold. If the voltage fluctuates exceeds the range (220V/50Hz version, exceeds 176~242V, Or, 110V/60Hz version, exceeds 99~121V). it may cause the humidor don't start, control panel and compressor burned or compressor work with abnormal noise etc.
- Please use an independent three-hole socket exclusively for the cigar humidor and grounded.
- Unplug before cleaning, changing components or stop using. Do not unplug with wet hands.
- Do not damage cords, or pull the cord, unplug the plug by clenching it.
- Do not press the cord or step on it. Be careful when moving the cigar humidor.
- Do not hang the cord at table, or close to heat places.
- Keep the humidor away from heat. Keep at least 10 cm from the wall or objects that obstruct ventilation.
- Do not place explosive and corrosive substances in cigar humidor.
- If gas leaks, turn off the valve and open the door and window.
- Keep children away from the humidor, in case of overturn of the humidor body and any injuries.
- Do not place heavy objects or container with water on the humidor.
- This series of products is specialized for storing cigar. Do not place other substances in, such as blood, medicine, biological products etc.
- In case of power failure or cleaning, the power plug should be turned off and the power supply can be turned on again after at least five minutes interval, so as to prevent damage to the compressor due to continuous starting

CAUTION:

- The humidor can only be repaired by the appointed professional staff.
- Keep good ventilation, clean out the blocks in and out of the humidor
- Please do not put other electrical appliance in the humidor.
- It's prohibited to self-disassemble, reconstruct the humidor.

The interior and exterior of this humidor are made of wood, please pay attention to waterproof and moisture-proof. Do not pour or wash the humidor with water, and do not place the humidor in humid, splashy place to avoid the corrosion and mould, which will affect the insulativity of the humidor.

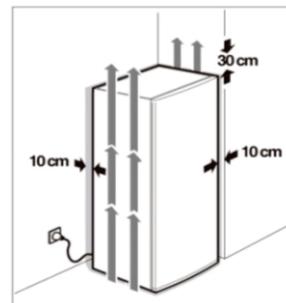
03 Installation Instruction

Once you receive your cigar humidor, please check that the humidor is undamaged.

Note: As the exterior of the cigar humidor is made of natural veneers, different batch of products may differ a bit in color, which does not belong to deficiency.

Placement:

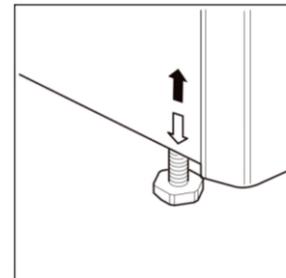
1. Keep the cigar humidor away from heat and humidity.
2. Put it in a place with good ventilation.
3. Put the cigar humidor on a flat surface, and make sure there is a distance of 10 cm at least between the cigar humidor and surroundings.
4. Place it in a place with power supply (standard power socket, rating voltage, 10 A current, grounded)



The black condenser at the back is used for heat dissipation, in order to have a better humidifying effect and reduce current consumption, please keep a distance for 10 cm at least away from other objects.

Adjustable Feet:

- Adjust the four screws at the bottom of the humidor to a suitable height.
 - Turn clockwise, the screw will be tight.
 - Turn Anti clockwise, it will be loose.
 - Make the feet stand on a same level to avoid shake and noise.



Usage:

- Open the door to check whether the interior is intact.
- Remove the protective materials in the cigar humidor, and adjust the racks according to your needs.
- If this is your first time of usage (or reuse after a long time outage), please keep the cigar humidor run for 5 hours before storing cigars. Then adjust the temperature according to your needs.

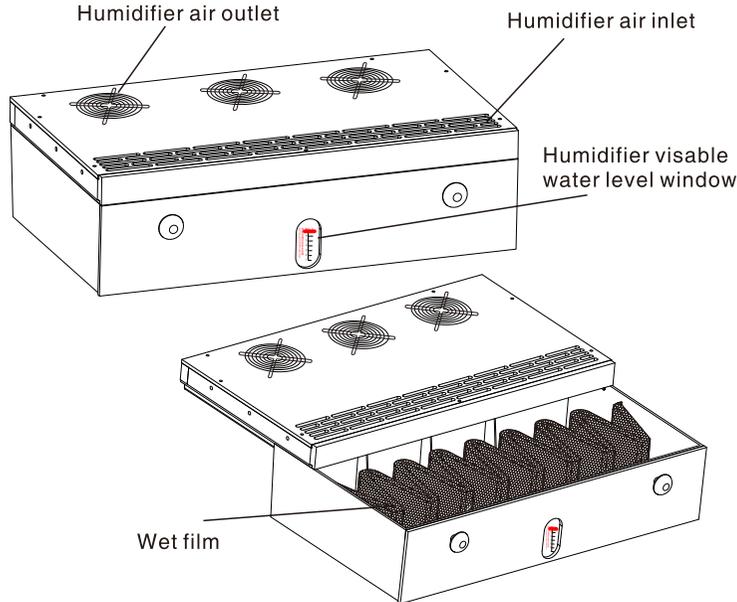
Cautions:

If you need to relocate the cigar humidor, the angle of inclination should be less than 45°. If there are objects inside the cigar humidor, please take them out.

How to add water :

First open the humidor door, and fill with pure water into the water inlet of the humidifier. The water level shall not exceed the alarm line of the humidifier.

Sketch map:



Replace wet film:

The wet film in this cigar humidor is a consumable item. For the humidification effect of the humidor and to avoid the growth of mold, it is recommended to replace the wet film every 3 months.

When replacing a new wet film, please put it in a S-shape according to the fixed position in the water tank to increase the humidification area of the wet film.

Suggestions for display and storage:

- Put the cigars on the rack evenly
- Cigars should be kept away from the rear and bottom of the interior part of the cabinet.
- Do not overstore cigars, which will affect the cooling and air-cycling effect.
- Do not place cigars or other things on the top of the humidification water box to avoid blockage to the vents.
- Do not place cigars or other things in front of the humidification water box to avoid blockage to the vents.

The space at the rear of the racks is used for air circulation, please keep at least 3 cm distance. Also the cigar boxes should not touch the inside wall of cigar humidor.

Safety Lock:

- Each humidor is equipped with safety lock and corresponding keys. Keys are in the plastic bag together with User Manual.
- Plug the key into the lock pin, turn anti-clockwise, the door is unlocked, and vise versa.
- Unplug the key and keep it properly

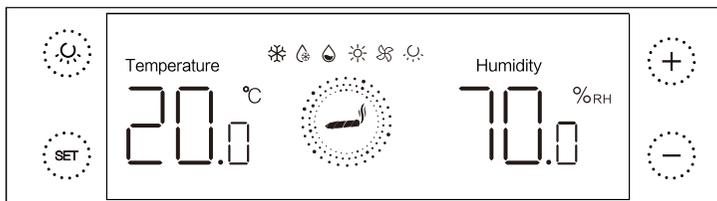
04 Operation And Setup

Please use the humidor under the temperature range 5-35 °C . If the temperature lower or higher than that range, the temperature in the cigar humidor may fluctuate.

Suitable temperature and humidity range for cigar storage:

Temperature:16°C—22°C Humidity: 65%—75%

1.Cigar cabinet temperature and humidity control method:



Indicator light:

☼—Refrigeration ❄—Defrost 💧—Humidification ☀—Heating 🌀—Evaporator fan 💡—Lighting

Temperature adjustment:

· After the humidor turns on, the figure on the left of the LCD screen will show the factory temperature default setting 20°C. If no button operation is performed, the cigar humidor temperature will drop to 20°C.

· After the cigar humidor turns on, the figure on the right side of LCD display will show the current ambient humidity of the inner cabinet.

· In order to adjust the temperature of the humidor, please press  once, the figure on the left side of LCD display will flicker. Then press  or  to adjust a suitable temperature you need. For every time you press, the temperature will increase(or decrease) 0.1°C. If long-time pressing, the temperature will keep increasing/decreasing continuously and quickly .

· In order to adjust the interior humidity, please lightly press  twice, the right figure on LCD display will subsequently start twinkling. Then press  or  to adjust a suitable temperature you need. For every single pressing, the humidity will increase(or decrease) 0.1%. If long-time pressing, the humidity will keep increasing/decreasing continuously and quickly .

Tips:

Please restart the cigar humidor after the power is cut-off for 3-5 minutes. Otherwise, the cigar humidor will start a self-protection system automatically and does not work.

Lighting:

Press  key to turn on (or turn off) the light.

· The internal lights will turn off automatically after 20 minutes.

Please press the key again to light it up if necessary.

05 Daily Maintenance

Cleaning:

- Please clean the condenser(the metal net on the rear of the cabinet) twice a year.
- Unplug the cabinet before cleaning or moving the humidor
Use clear water or mild detergents to clean the humidor once a year.

Protection of cabinet:

Note: Both the inner and outer parts of this cabinet are made of wooden materials, please cautiously follow some hints below while using it:

- The surface of this cabinet has a lacquered protective layer, do not clean it with harsh detergents, solvents, ethyl alcohol or petrol.
- Do not directly expose this cabinet under strong sunshine.
- Do not scrape, knock or squeeze the surface of this cabinet with heavy objects.
- Use soft cloth to clean the cabinet, please get it wet and wrung before wiping the cabinet.
- Do not put this cabinet in a place that's too moist or too dry, keep it away from stove, heater, etc.
- If the floor gets wet, please elevate the cabinet to a higher position, to avoid any possible corrosion appearing at bottom part of this cabinet.

Deactivating the cigar humidor:

If this cigar humidor will not be used for more than one week, please take out all objects from the cabinet and remove all water from the water tank. Then clean up the cabinet and keep it dry. To inhibit the odor and mould, please unlatch the door or keep it open if possible

06 Common Faults Handling

Humidor cannot work?

- Humidor is not running
- Power cord unplugged or No power to unit
- The circuit faults or a fuse blew out

Refrigeration is not good?

- Check the temperature control setting
- The ambient temperature is too high or bad ventilation
- The door is open frequently
- The door is not closed completely
- Check the water level of the humidifier

Frequent startup?

- Room temperature is too high
- Too many items in the cigar humidor
- Frequent door opening and closing
- The door is not closed tightly
- Temperature control is not set normally
- The door can't be closed properly

The built-in light is not on?

- Not plugged in
- Circuit failure or fuse burn out
- The bulb has been burnt out
- The switch is not on
- The cigar humidor vibrates
- Cigar humidor is placed safely

Too much noise?

- It is normal phenomenon that the humidor is noisy when it starts up or stops working.
- Check if there is some object placed on the top of humidor
- The humidor be placed in wooden floor, it might cause noise when running.

Please note:

The humidor shall be repaired by a professional maintenance staff, and ensure that there is no electric leakage before using again. In any case, if the humidor could not work, to ensure safety, please unplug the power cord, then ask a professional maintenance staff to repair it.

Several non-failure phenomena

The surface of the humidor or the glass door with dew

- Installed in a damp environment or a rainy day, condensation may form on the surface of the humidor, especially the surface of the glass door, which is caused by the moisture in the air contact with the surface of the humidor, please dry it with a soft cloth.
- Please check whether the door is tightly sealed between the gasket and the cabinet.

Hear a sound like running water:

- The sound of humidor when it stops working
- The sound of refrigerant flowing in a refrigeration system
- The sound of evaporation of the refrigerant in the evaporator
- The sound of shrinking or expanding parts due to changes in the internal temperature of humidor

Frosting in refrigerated room:

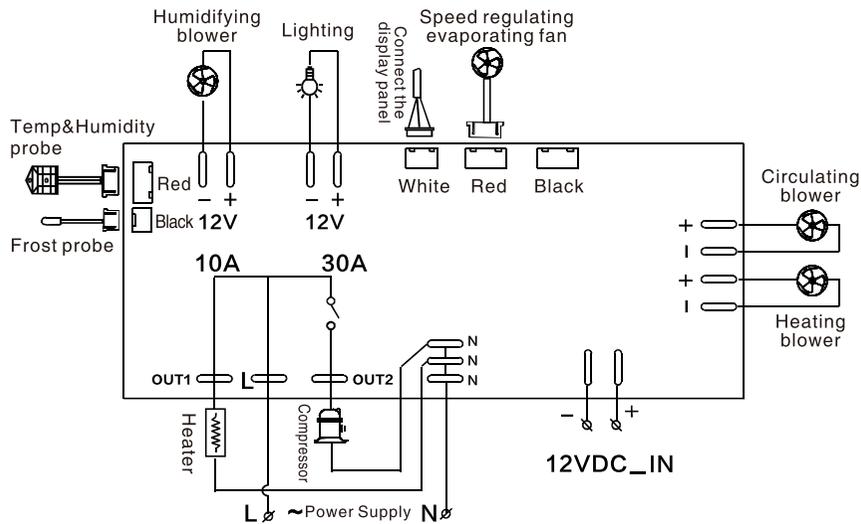
- If humidor is installed in a damp environment and it's opened too long time or many times, it is easy to be caused frost on the wall of the refrigerator
- Please try to reduce times to open the humidor door, and check the sealed door that whether magnetic door seal and the cabinet body are tightly closed or not.
- The temperature and humidity shown on the LCD screen is jumping up and down:It indicates the changes of temperature and humidity.

Compressor is hot:

- When the humidor is working in a high ambient temperature place, the temperature of the compressor casing will be high, and the temperature can reach to 85°C, which is a normal phenomenon.

07 Electric Circuit Diagram

Cigar humidor wiring diagram



08 Technical Data

Model	Climate Type	Effective Volume (L)	Item Size (HxWxD)mm	Refrigerant Temp (°C)	Rated Power(W)	Refrigerant (g)	N.W. (Kg)
MA50	N	100L (300-500Pcs)	950*500*550	15-22°C	75W	R600a/25g	47
C150A	N	150L (200-400Pcs)	820*600*610	15-22°C	95W	R600a/32g	45
C230A	N	230L (500-700Pcs)	1220*600*610	15-22°C	95W	R600a/32g	70
C280A	N	280L (1000-1200Pcs)	1220*600*610	15-22°C	95W	R600a/32g	85
C330A	N	330L (700-950Pcs)	1620*600*610	15-22°C	123W	R600a/57g	85
C380A	N	380L (800-1150Pcs)	1820*600*610	15-22°C	140W	R600a/60g	95
C600A	N	600L (3000-4000Pcs)	1850*690*700	15-22°C	103W	R600a/50g	101

09 Packing List

Model	Solid Wood Racks (unit)	Key (pcs)	User Manual (pcs)
Ma50	4	1	1
C150A pro	3	1	1
C230A pro	5	1	1
C280A pro	5	1	1
C330A pro	6	1	1
C380A pro	7	1	1
C600A pro	8	1	1

10 After-Sales Service

Dear Customers,

Thank you for choosing Raching climate-controlled humidor cabinet. We will offer you warm, timely, satisfy and professional after-sales service. We promise to offer you the service below:

1. From the date of purchase, if the product has any performance failure, the whole machine is guaranteed for one year, and the compressor is guaranteed for three years.
2. Any damage caused by the following reasons shall not be guaranteed, and charging for the repair.
 - (1) Damaged by improper handling, installation, use, maintenance, and storage.
 - (2) Damaged by using a power supply voltage lower or higher than the local standard voltage range.
 - (3) Warranty period is overdue.
 - (4) Damage caused by disassembled, modified, or repaired the machine by the user himself/herself.
 - (5) Failure or damage caused by force majeure (fire, earthquake, lightning strike, etc.).
4. Damage caused by the operating environmental and condition, such as power supply, water source, temperature, humidity, etc factors which beyond the company's control, are not covered by the free warranty.
5. Technicians need to get the corresponding machine information to provide you with faster service. Please provide:
 - (1) Fault description
 - (2) Purchase date
 - (3) Humidor model

The C-series Raching Climate Control humidor cabinet match UL60335-1 the general requirements for electrical safety.

This appliance is applicable to home use and similar purposes, such as

- Stores, offices, kitchens, bars
- Farms, hotels, motels and residential buildings
- Family hotels, Inn and clubhouses
- Catering and other similar non-retail business applications

Warning:

Other appliances or electronic equipment shall not be used in the humidor unless the one recommended by the manufacturer

Related matters/regulations about abandonment



This humidor adopts R600a refrigerant methyl formate foamed materials are flammable materials, waste freezers should be isolated from the fire source, and it can not be burned. Please hand it to a qualified professional recycling company to deal with, to avoid any hazards to the environment



When the freezer is discarded, please remove the freezer door and the door seal, and place the door in a suitable position to avoid accidents when the child is playing.

The user manual of the compressor appliances that use flammable refrigerants shall include the below warnings:

Warning: There are no obstructions around the appliance or in the embedded structure, keep ventilation.

Warning: It is not allowed to use any mechanical equipment or other means to accelerate the defrosting process except the one recommended by the manufacturer.

Warning: Do not damage the refrigeration circuit.