

Pet Bathtub

User Manual

WARRANTY

Please read the instructions carefully before using this product for the first time, and this will help you to use and maintain the machine safely and correctly, so as to avoid unnecessary losses!

Under normal operations according to the instructions for use, if the product fails or has quality problems, the company will provide you with warranty service. Within one year, you will enjoy free warranty service. After the warranty period, you may pay for repair service. When the pet hair dryer fails (non-man-made damage), it must be repaired by professional repair stores or professional personnel designated by the manufacturer. If you have any comments on or questions about after-sales service, please contact our company.

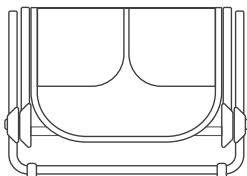
The following situations are not covered in the scope of warranty service or replacement:

- Fail to fill in the correct product model, purchase address and purchase date and other information.
- Product malfunction and damage caused by your failure to follow the instructions
- Product failure and damage caused by collisions, falling, water leakage, etc.
- Product failure and damage caused by natural disasters such as fires, earthquakes, lightnings, typhoons, and floods.
- For product damage caused by the repair that is not allowed by our company, the warranty service will be automatically terminated.

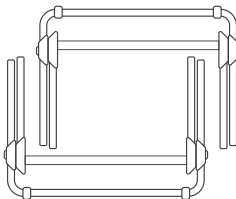
INSTRUCTIONS

1. Open the carton box and take out the bathtub

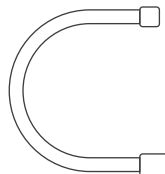
① Bathtub frame



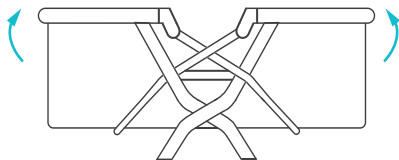
② The legs ×2



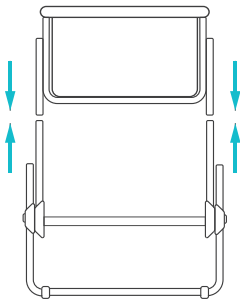
③ The drain hose



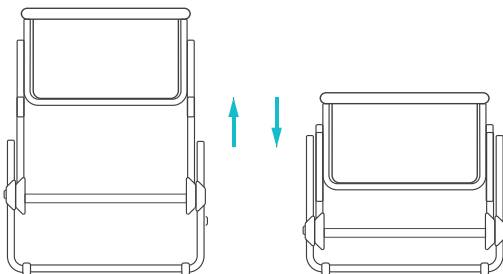
2. Unfold the frame and place it on a ground surface, adjust the bottom button to the second hole.



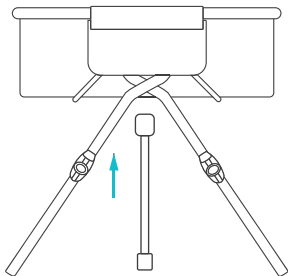
3. Connect the bathtub legs to the bathtub frame by pushing in the buttons and inserting the leg into the frame until the buttons pop out. Ensure the buttons pop out of the frame and gently pull on the leg to confirm it is locked in place. Repeat for the other leg.



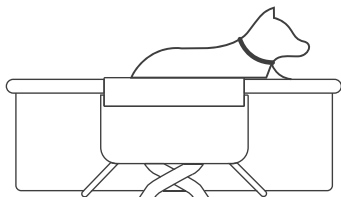
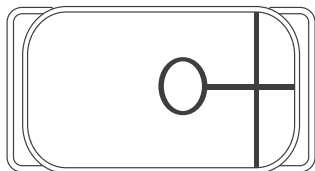
4. When you use the bathtub on the flat ground, you can adjust 5 level of height to suit different bathing needs.



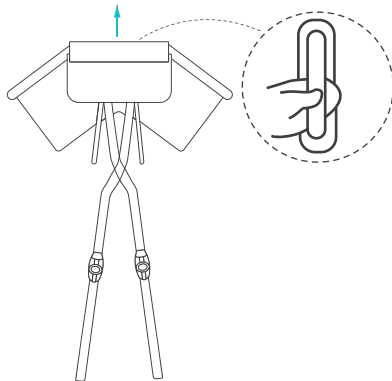
5. Set up the flexible drain hose to drain into a suitable receptacle, or use the stopper and drain the tub after use .



6. Place your pet in the tub and attach the safety harness.



7. Once finished bathing, drain the tub, wipe off any remaining water, and pull the handle in the middle to fold it up.



SAFETY INSTRUCTIONS

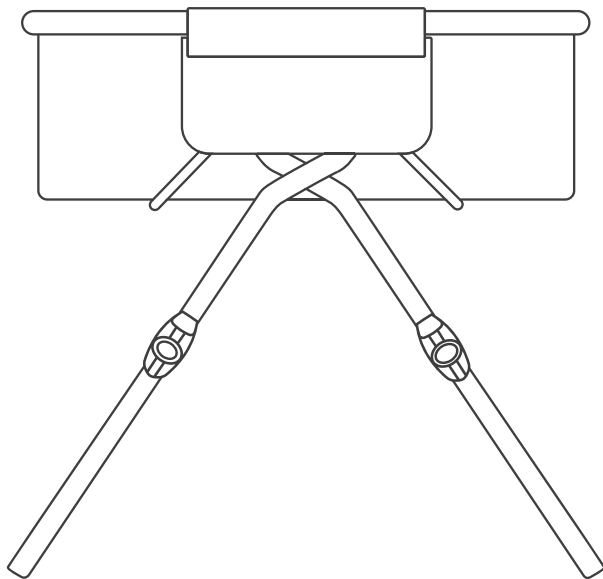
1. Users and guardians should read this manual carefully before use and keep it for future reference. If not follow this manual may affect the safety of pets.
2. The guardian should not leave when the pet is in the tub.
3. Do not let pets stand in the tub alone.
4. Overloading or incorrect folding, as well as the use of incorrect parts, can cause the bathtub to be damaged or unsafe.
5. To avoid suffocation, keep the plastic cover away from the pet.
6. Don't get close to the fire.
7. Do not carry pets over 15KG.
8. Do not place items over 2KG into the side pockets.
9. This product cannot be used with any accessories not from our factory.

WARRANTY CARD

(Please keep it for yourself)

Name		Contact Number	
Purchase Address / Store Name		Product Model	
Repair Reasons (Repair & Replacement)			Repair Date
Detailed Faults			

Thanks for purchasing our products.



Pet Bathtub

Please read this user manual thoroughly before using the product