

Model 401-1014

Full product specifications: www.humancentric.com/401-1014

Need help? Contact support: support@humancentric.com



WARNING



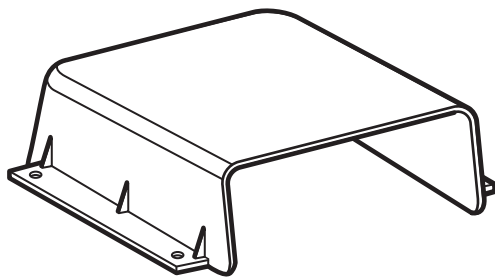
To reduce the risk of injury to persons, read all important precautions and warnings listed below. HumanCentric assumes no responsibility for personal injury or property damage sustained by or through the use of this product:

1. Read all instructions carefully.
2. Incorrect installation may lead to damages or serious injury. Ensure the product is secured before use.

ADDITIONAL TOOLS REQUIRED

Phillips Head Screwdriver (if mounting with screws)

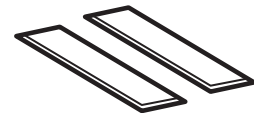
PARTS INCLUDED



Shelf (x1)



Alcohol Swab (x1)



VHB Strips (x2)



Mounting Screws (x4)



Cable Clips (x2)

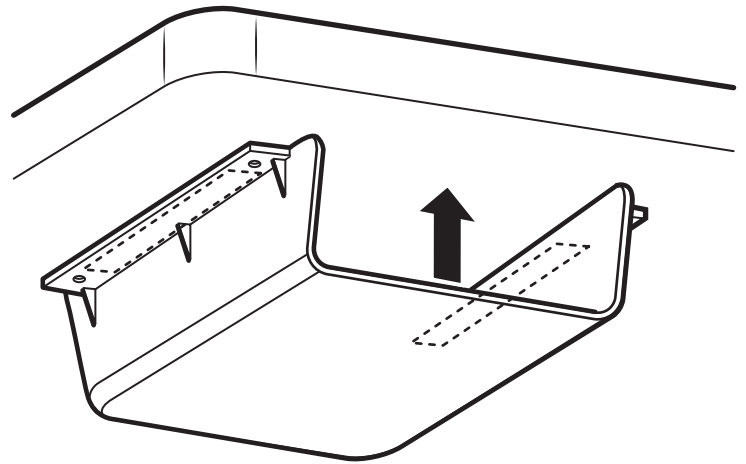
1. MOUNT STORAGE SHELF UNDER THE DESK

OPTION A: Mount using the VHB adhesive tape

Note: The VHB (Very High Bond) adhesive will hold over 40 lbs of adhesion to clean and finished surfaces.

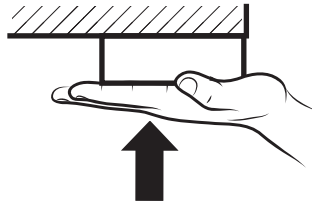
Important: It will not hold to unfinished wood, bare MDF, or if the surface feels fibrous. If the bottom of your desk isn't finished, we recommend either putting some finish (polyurethane works well) on or screwing it in.

Make sure the surface is clean, dry, and oil free. Use the provided alcohol prep pad to clean the area on your desk where the VHB adhesive will be applied.



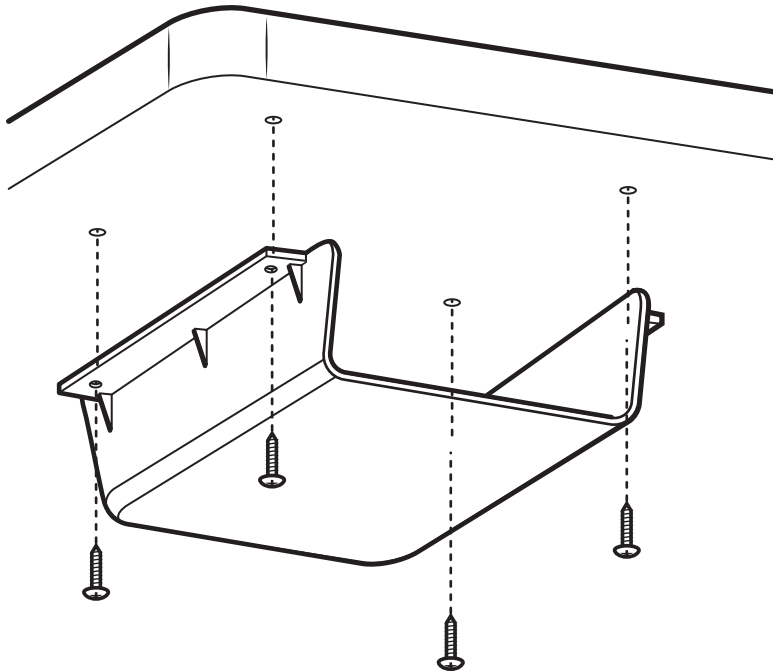
Important note: Use the VHB test adhesive strips to test if the bottom of your desk will support mounting via a VHB adhesive. If not, please use wood screws.

Firmly press the Shelf to your desk for the best adhesion. It takes 24 hours for the adhesive to fully cure to max strength.

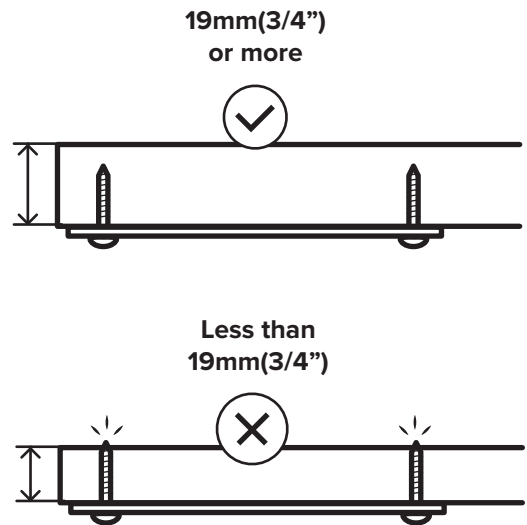


1. MOUNT STORAGE SHELF UNDER THE DESK

OPTION B: Mount using the wood screws



Note: Use a 3/32" drill bit to drill 5/8" deep hole



2. USE CABLE CLIPS TO MANAGE ANY WIRES

