

Model 101-2095, 101-2108

Full product specifications: www.humancentric.com/101-2095

Need help? Contact support: support@humancentric.com



WARNING



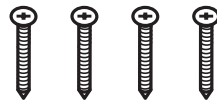
To reduce the risk of injury to persons, read all important precautions and warnings listed below. HumanCentric assumes no responsibility for personal injury or property damage sustained by or through the use of this product:

1. Read all instructions carefully.
2. Incorrect installation may lead to damages or serious injury. Ensure the product is secured before use.
3. Make sure the wall this console will be mounted to can support the combined weight of the console and adapter.

PARTS INCLUDED



A (x1)



B (x4)



D (x1)



E (x1)



C (x4)

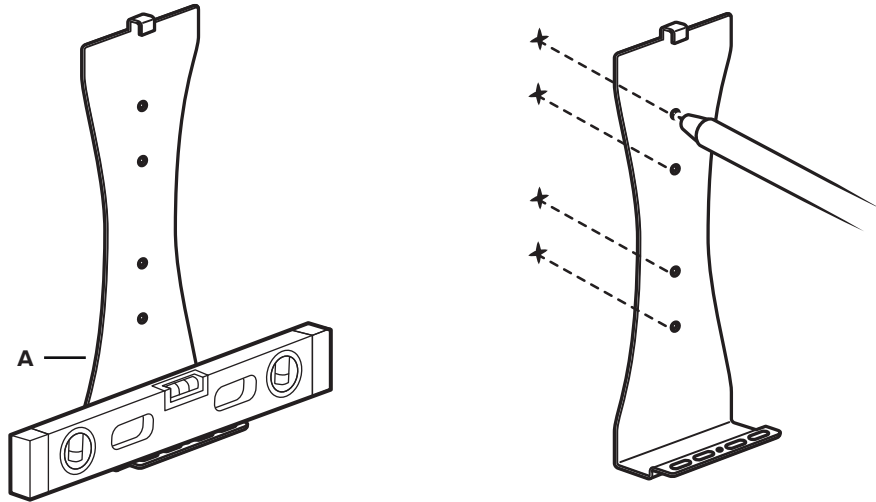
TOOLS NEEDED FOR INSTALLATION

Pencil

Phillips Head Screwdriver

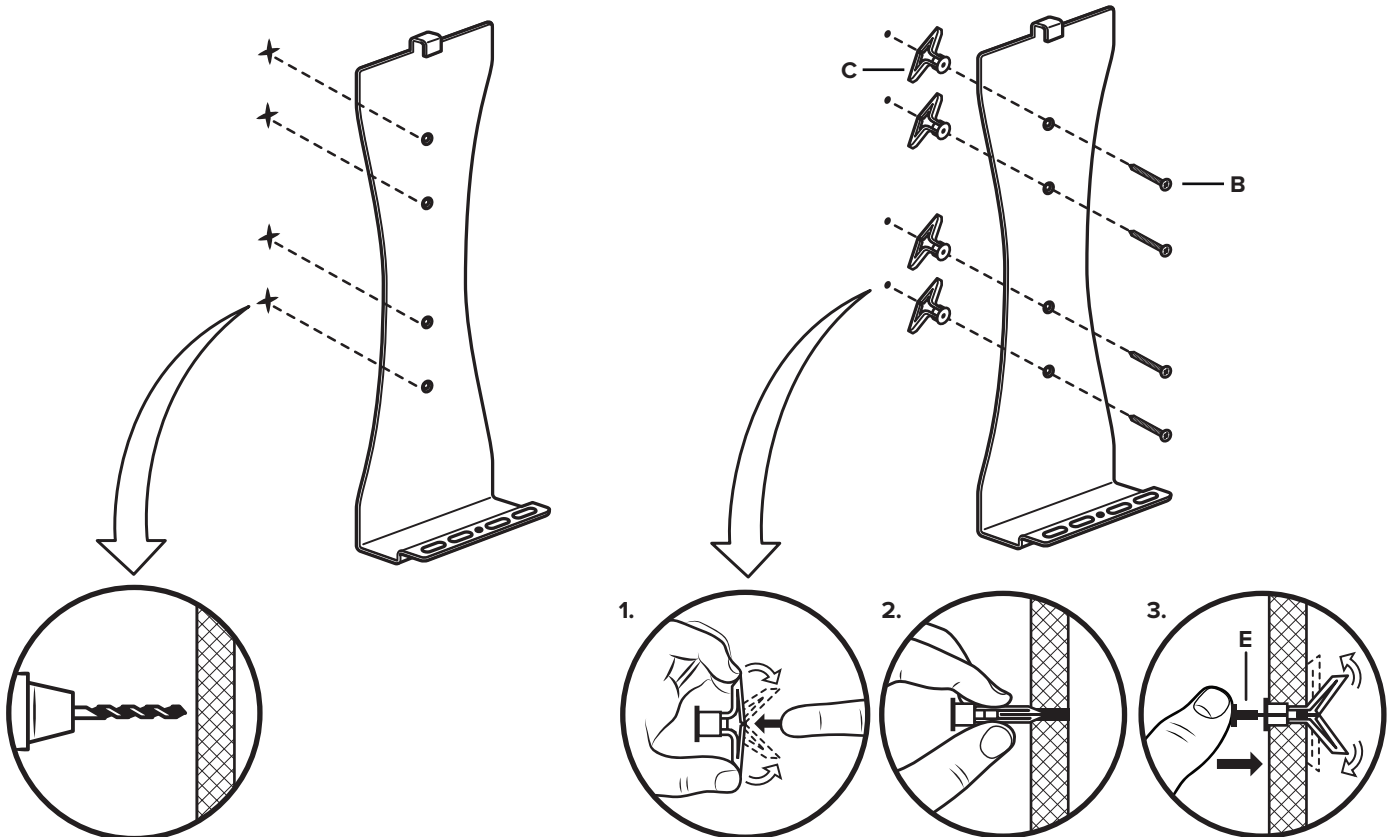
1.

Level and mark holes on wall using the 4 bracket holes.



2.

OPTION A – MOUNTING TO DRYWALL



USE 5/16" DRILL BIT

Note: For help installing the drywall anchors, search "How to install Plastic Toggle Anchors" on YouTube