

Model 101-2104

Full product specifications: www.humancentric.com/101-2104

Need help? Contact support: support@humancentric.com



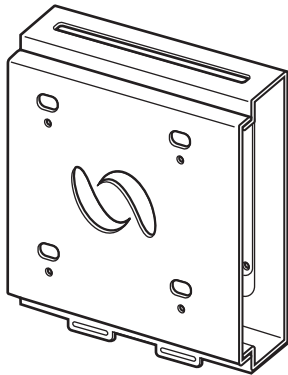
WARNING



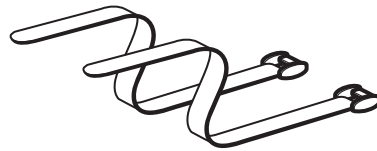
To reduce the risk of injury to persons, read all important precautions and warnings listed below. HumanCentric assumes no responsibility for personal injury or property damage sustained by or through the use of this product:

1. Read all instructions carefully.
2. Incorrect installation may lead to damages or serious injury. Ensure the product is secured before use.
3. Make sure the monitor mount that this product will be mounted to can support the combined weight of the monitor, computer, and adapter.

PARTS INCLUDED



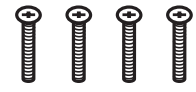
A (x1)
Dual VESA Adapter



B (x2)
Straps



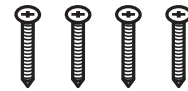
C (x4)
M4 x 12mm Screw



D (x8)
M4 x 30mm Screw



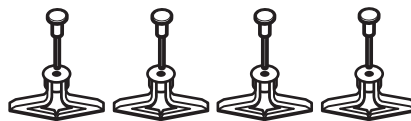
E (x4)
M4 x 19mm Wood Screw



F (x4)
M4 x 30mm Wood Screw



G (x4)
Spacer - 18mm



H (x4)
Drywall Anchor

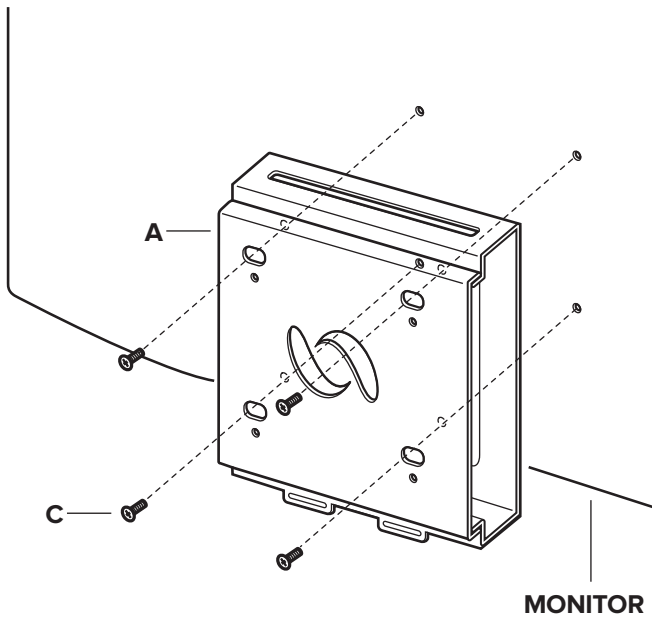


I (x2)
Thumb Screw

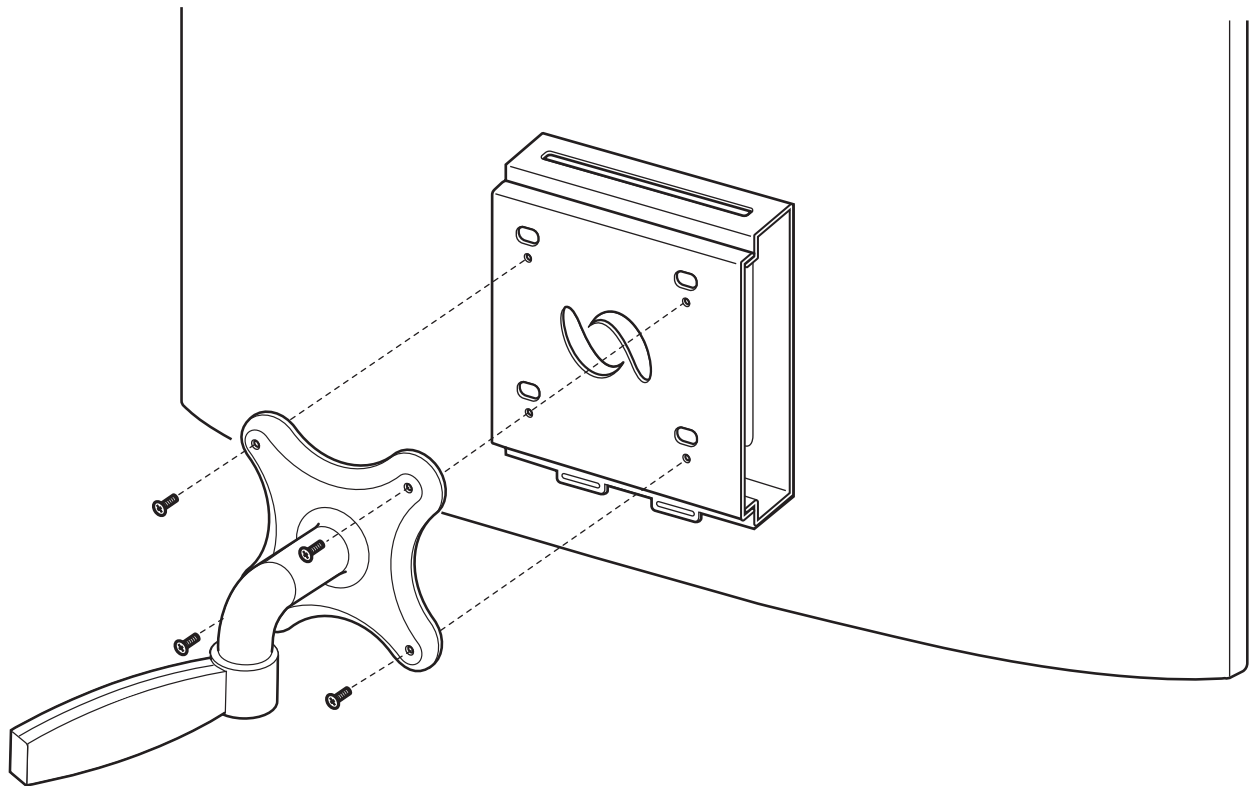
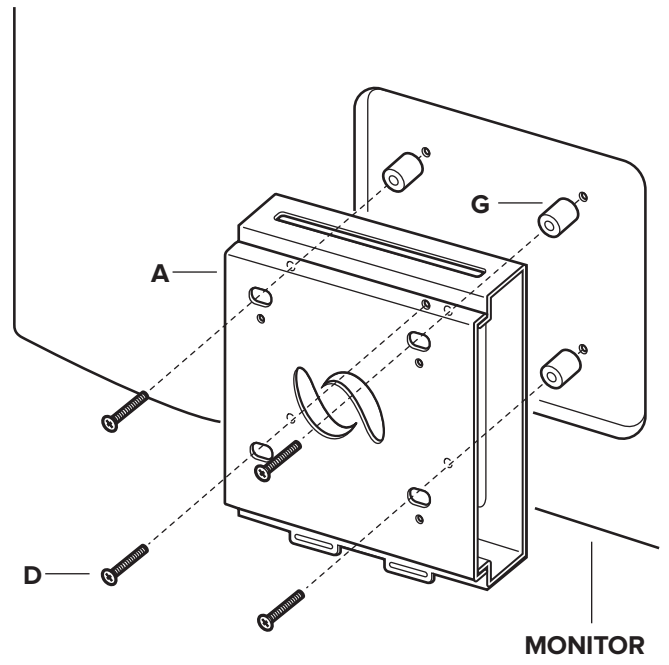
ADDITIONAL TOOLS REQUIRED

Pencil
Phillips Screw Driver
Drill
5/16" Drill bit
1/8" Drill Bit

1A. MONITOR ARM MOUNTING

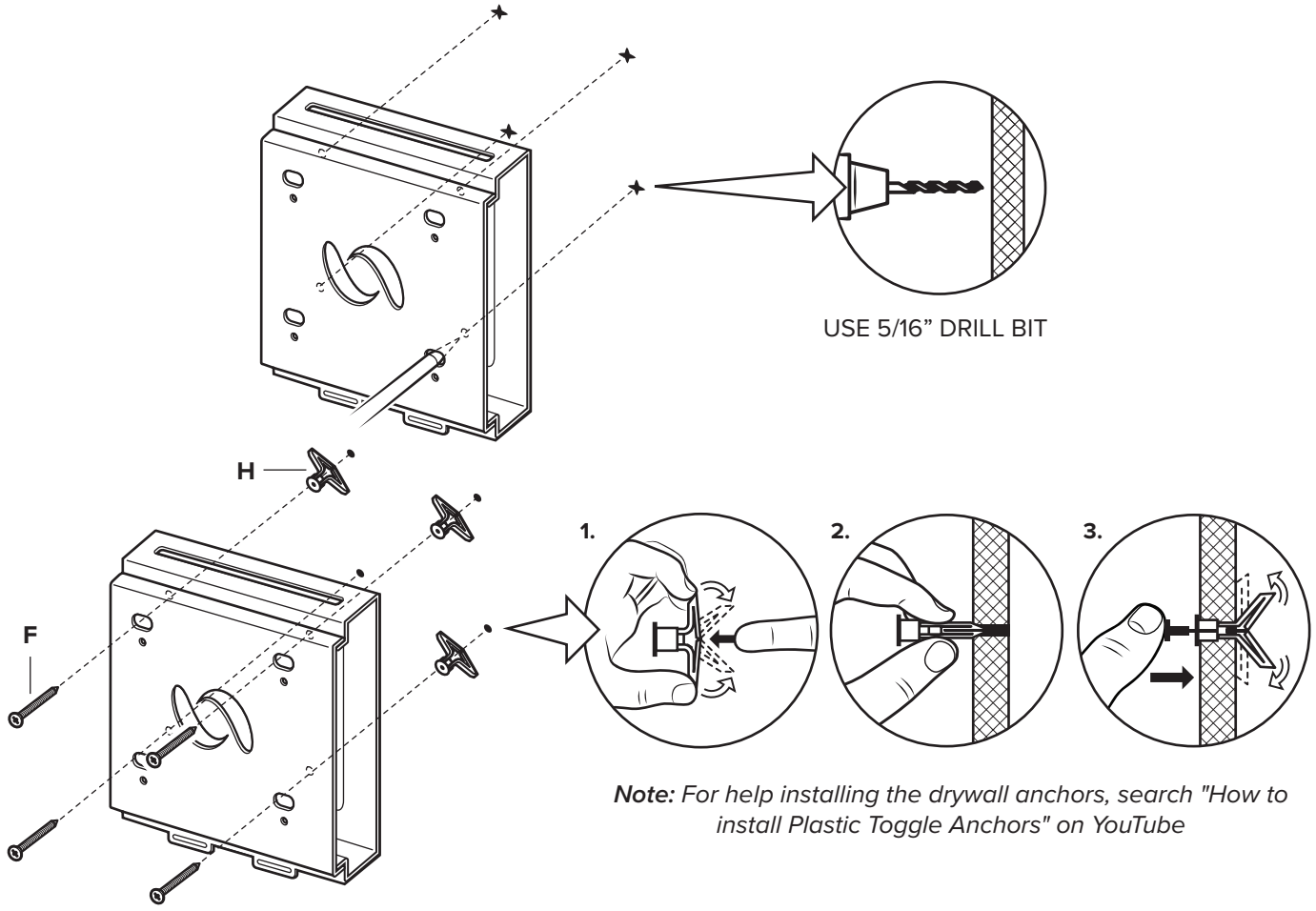


For recessed VESA holes use spacers (G) and screws (D)

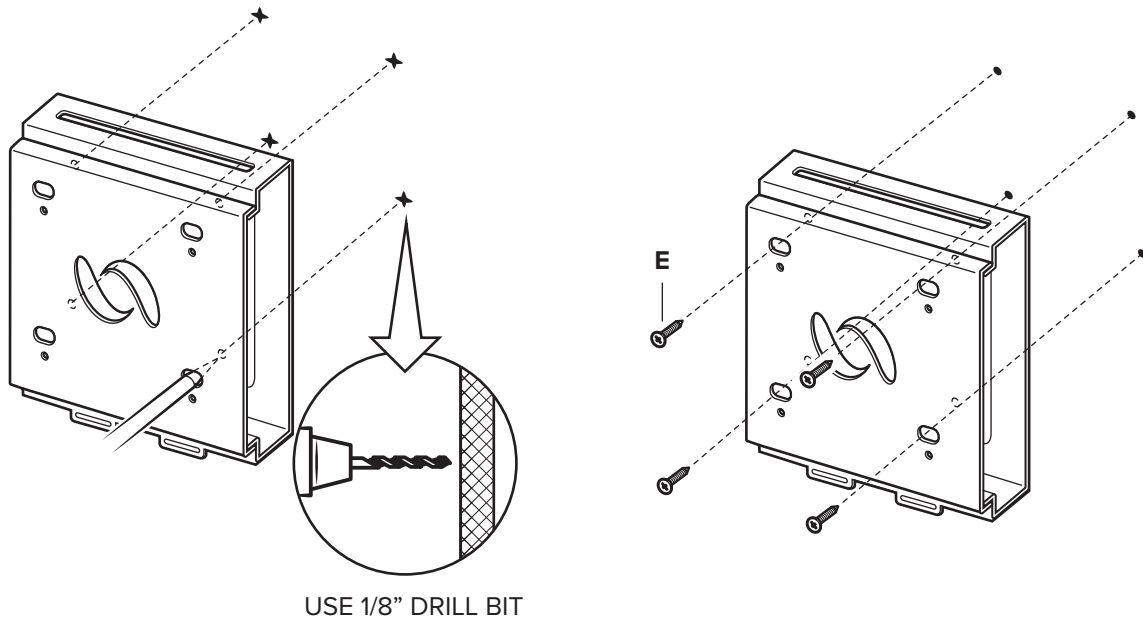


1B. WALL MOUNTING

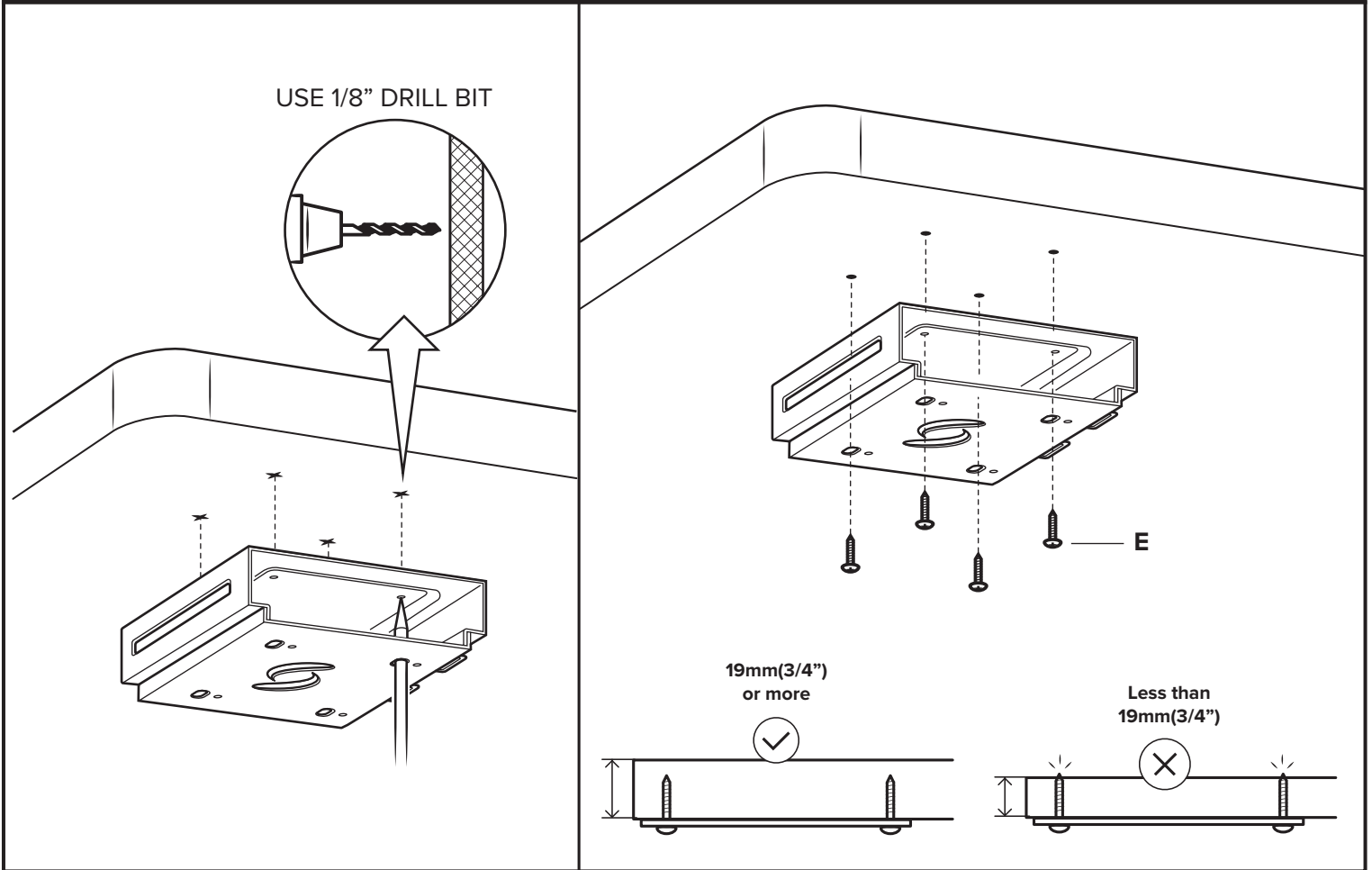
Drywall



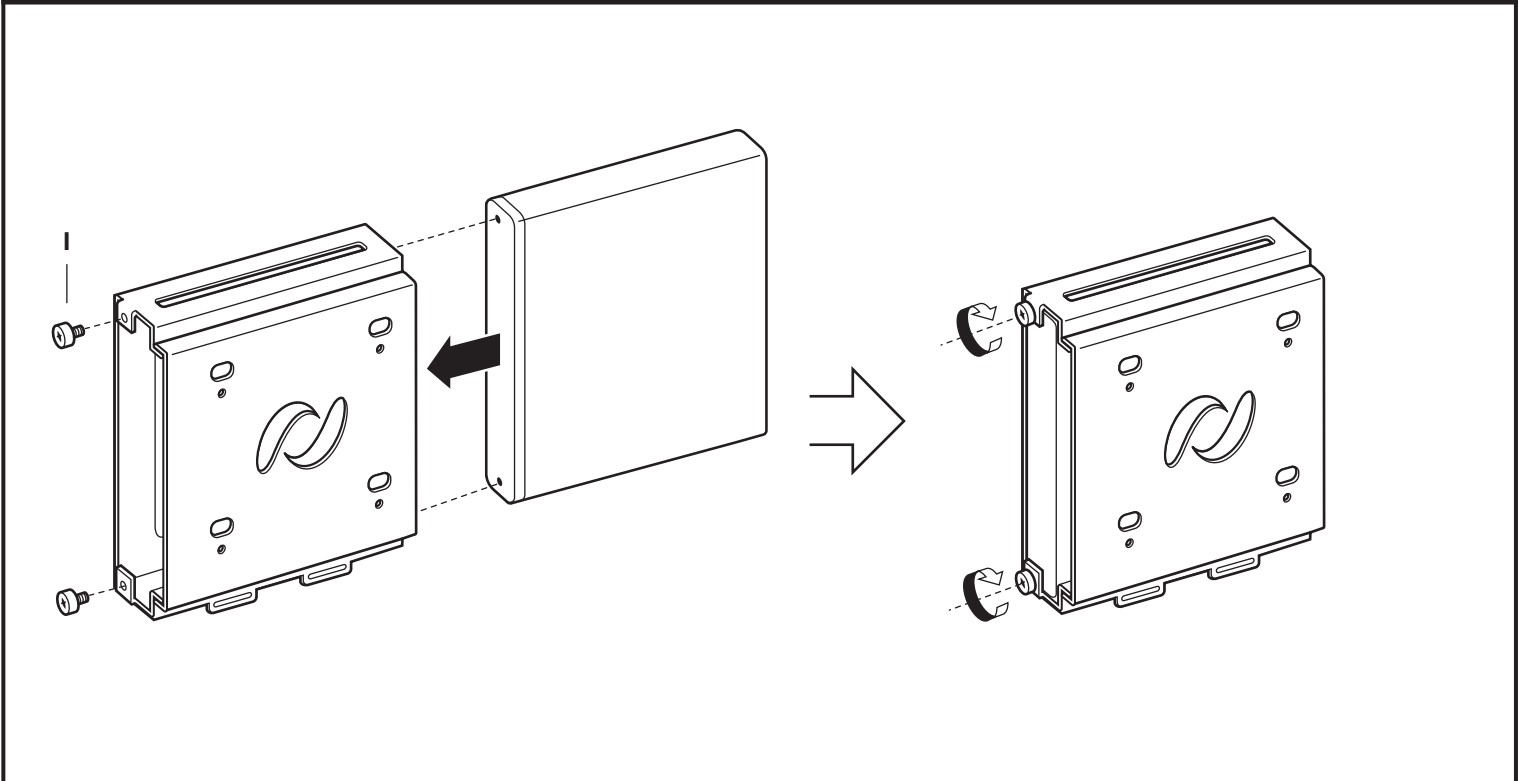
Wood surface



1C. UNDER DESK MOUNTING

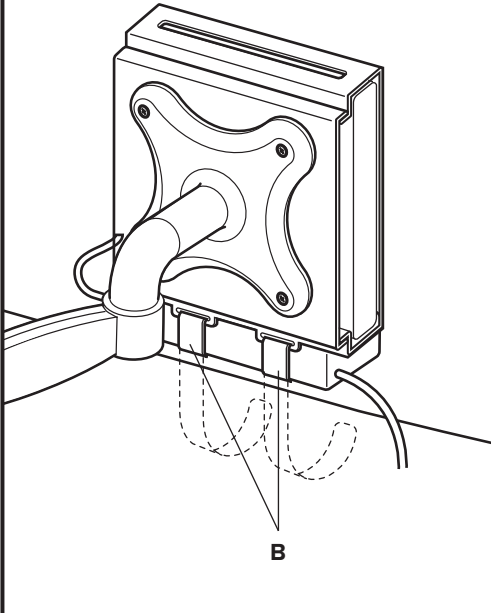


2. SECURING DEVICE

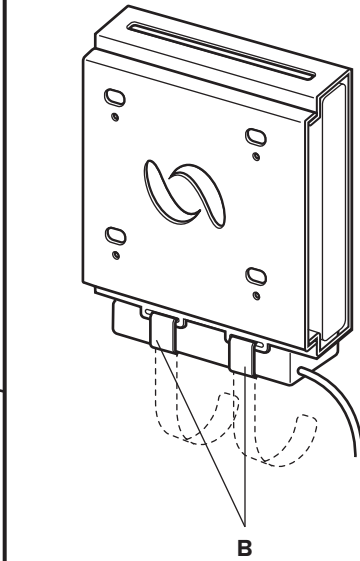


3. SECURING POWER ADAPTER

MONITOR ARM MOUNTING



WALL MOUNTING



UNDER DESK MOUNTING

