

Model 101-2103

Full product specifications: [www.humancentric.com/101-2103](http://www.humancentric.com/101-2103)

Need help? Contact support: [support@humancentric.com](mailto:support@humancentric.com)



### WARNING



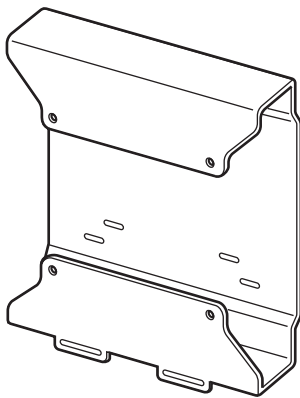
To reduce the risk of injury to persons, read all important precautions and warnings listed below. HumanCentric assumes no responsibility for personal injury or property damage sustained by or through the use of this product:

1. Read all instructions carefully.
2. Incorrect installation may lead to damages or serious injury. Ensure the product is secured before use.
3. Make sure the monitor mount that this product will be mounted to can support the combined weight of the monitor, computer, and adapter.

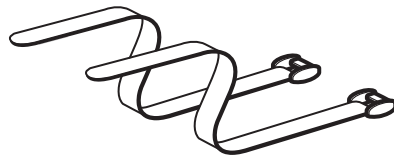
### ADDITIONAL TOOLS REQUIRED

Pencil  
Phillips Screw Driver  
Drill  
5/16" Drill bit  
1/8" Drill Bit

### PARTS INCLUDED



**A (x1)**  
Dual VESA Adapter



**B (x2)**  
Straps



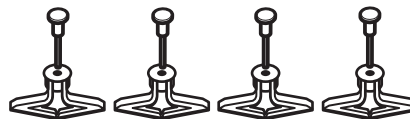
**C (x8)**  
M4 x 8mm Screw



**D (x4)**  
M4 x 19mm Wood Screw

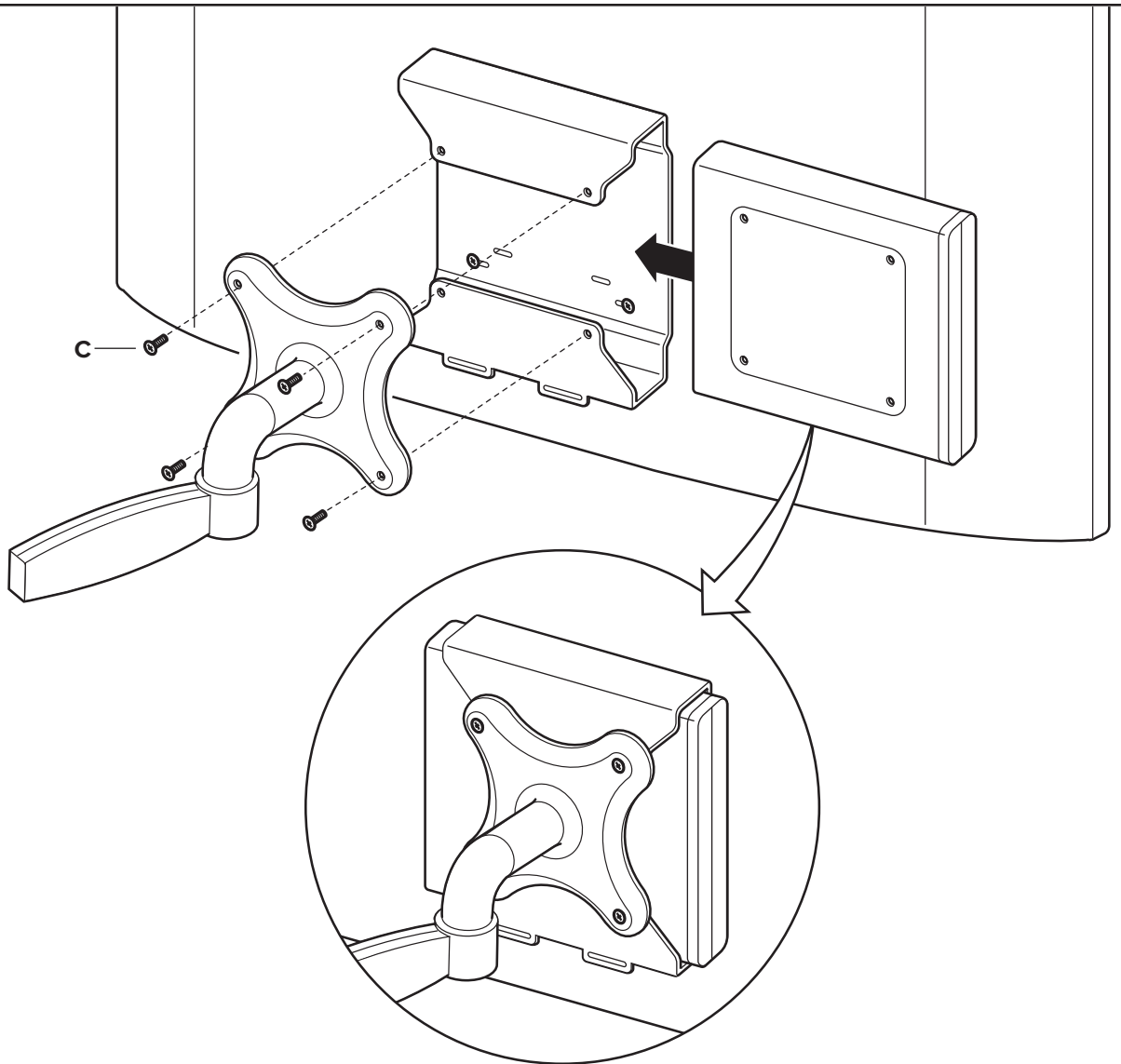
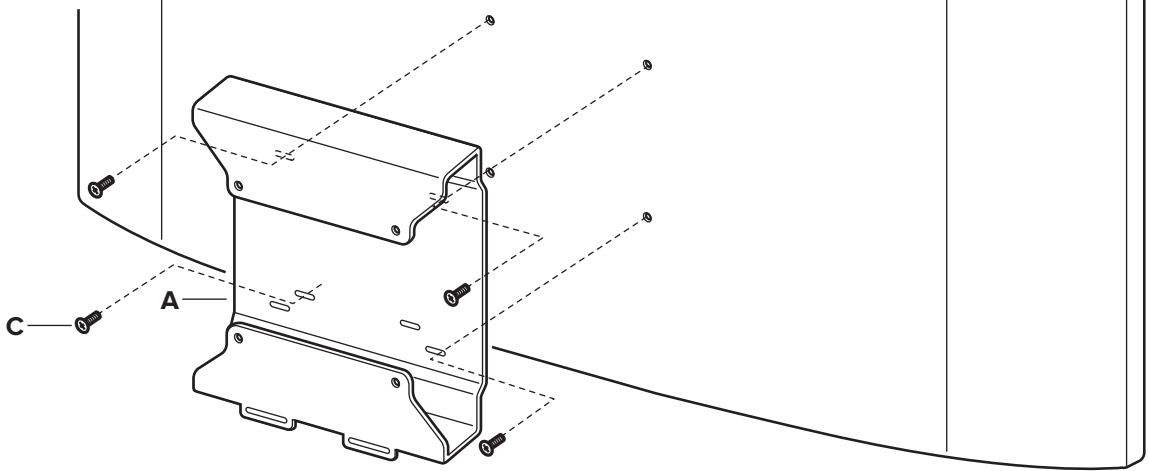


**E (x4)**  
M4 x 30mm Wood Screw

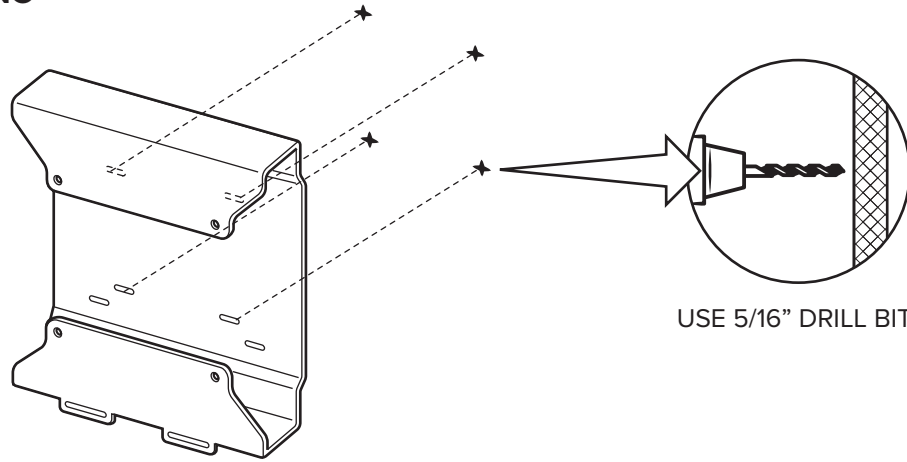


**F (x4)**  
Drywall Anchor

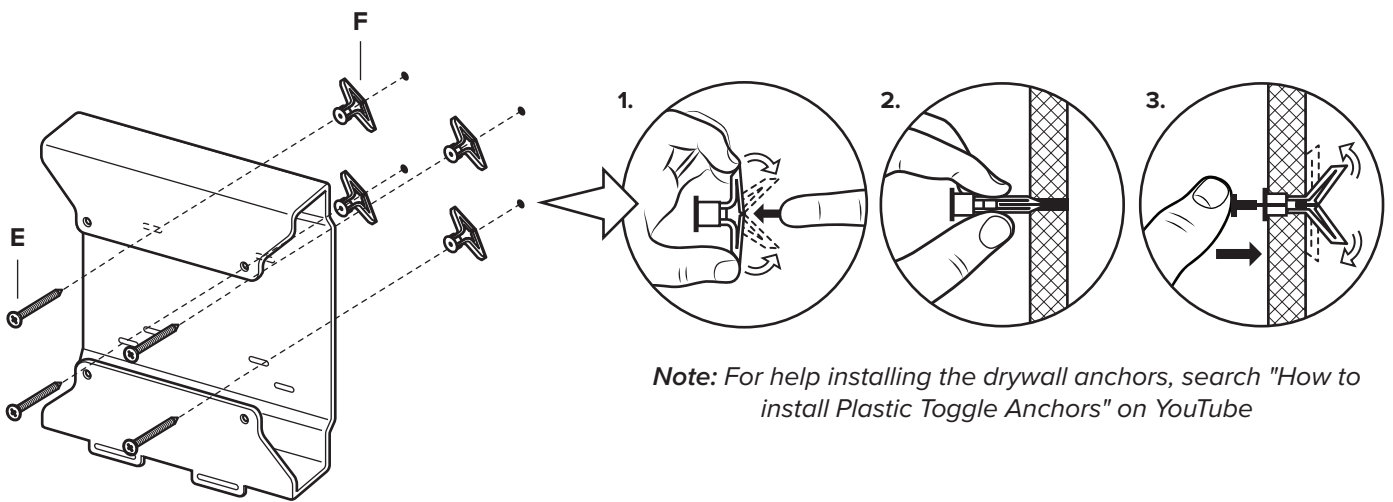
MONITOR ARM MOUNTING



**DRYWALL MOUNTING**

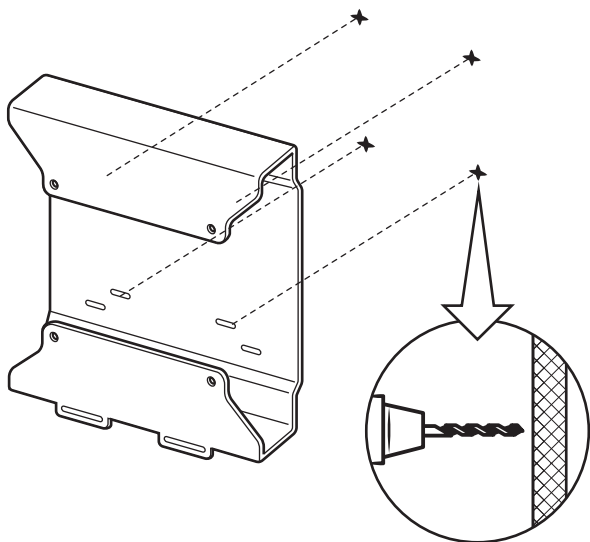


USE 5/16" DRILL BIT

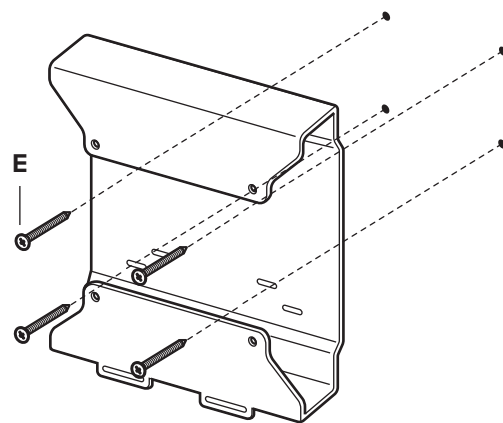


*Note: For help installing the drywall anchors, search "How to install Plastic Toggle Anchors" on YouTube*

**WOOD SURFACE**

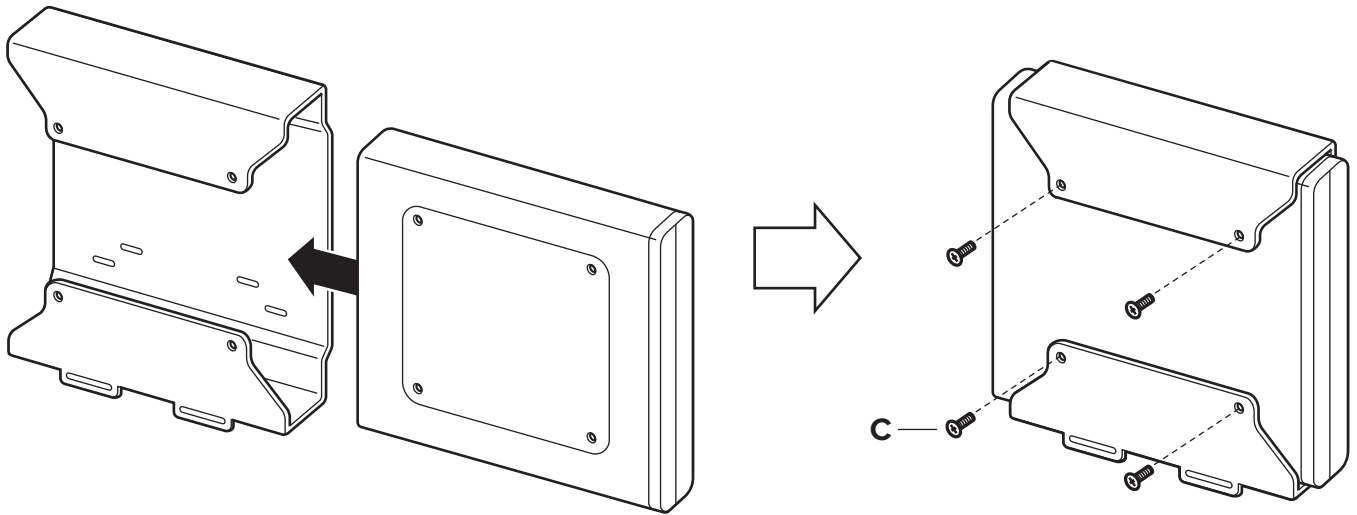


USE 1/8" DRILL BIT



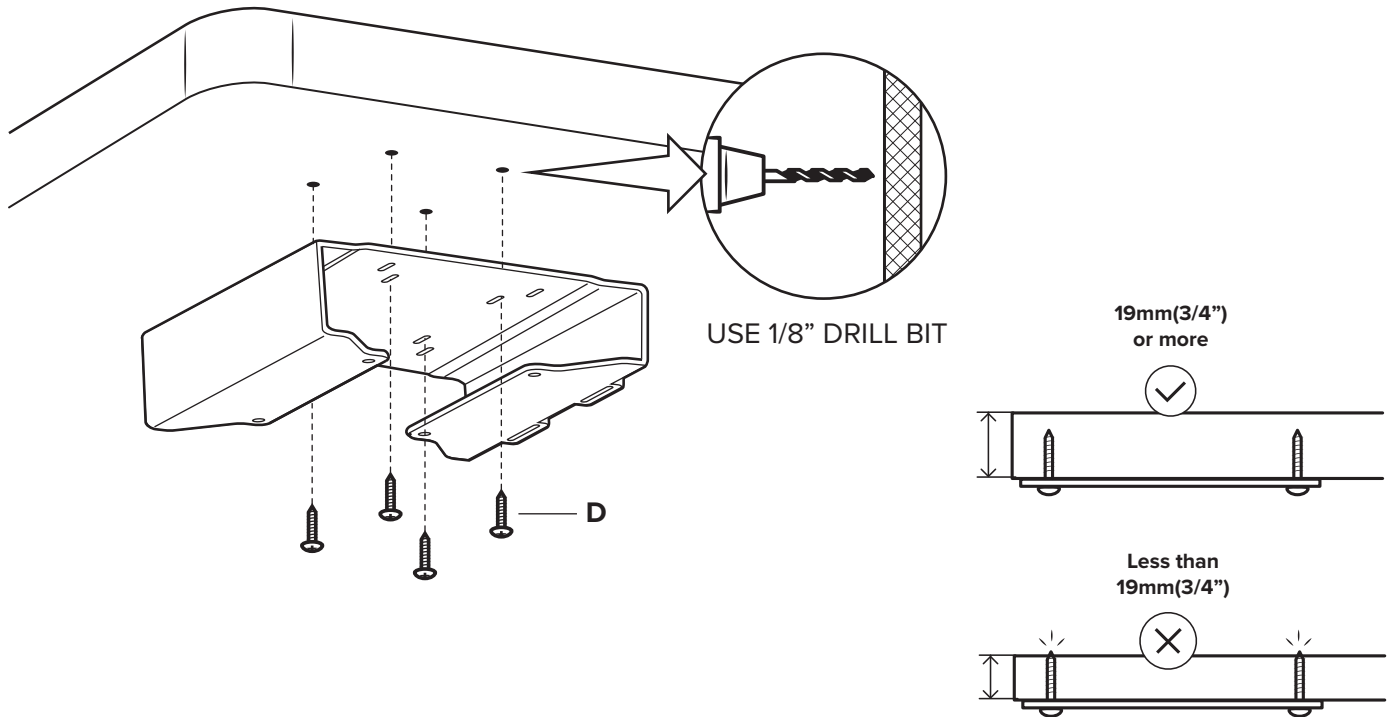
1B

SECURING DEVICE



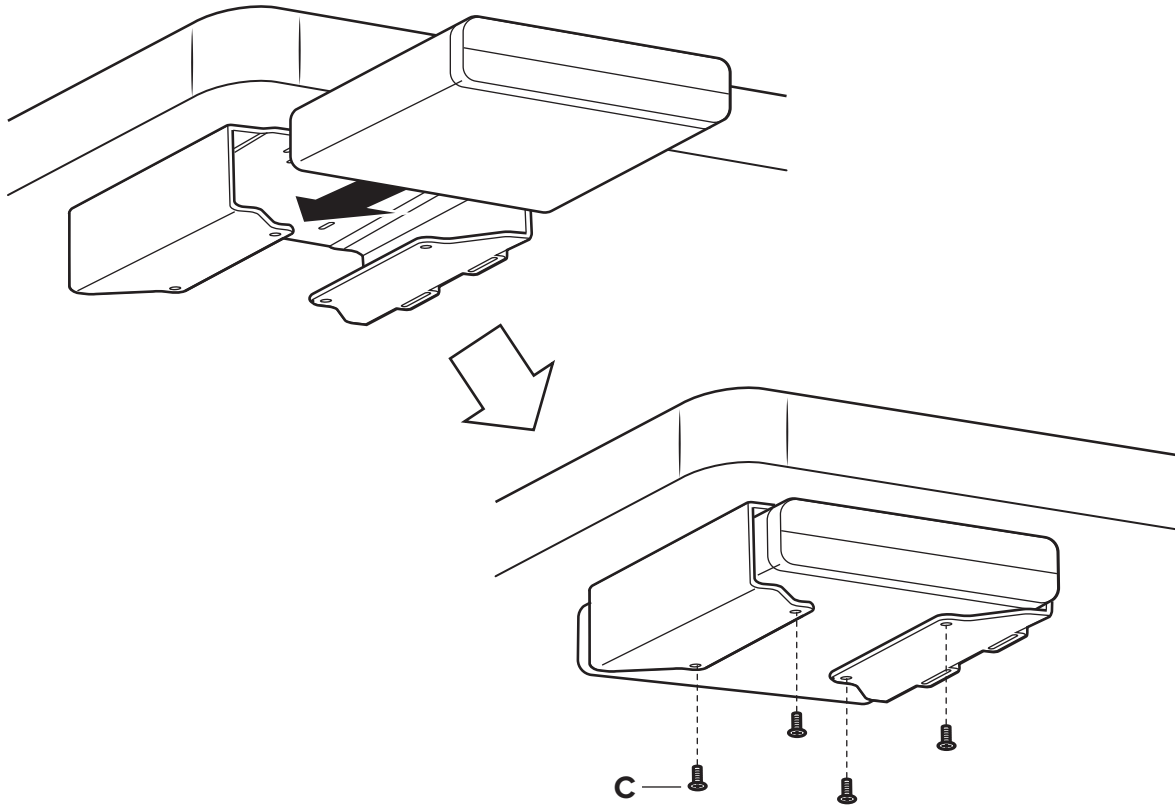
1C

UNDER DESK MOUNTING



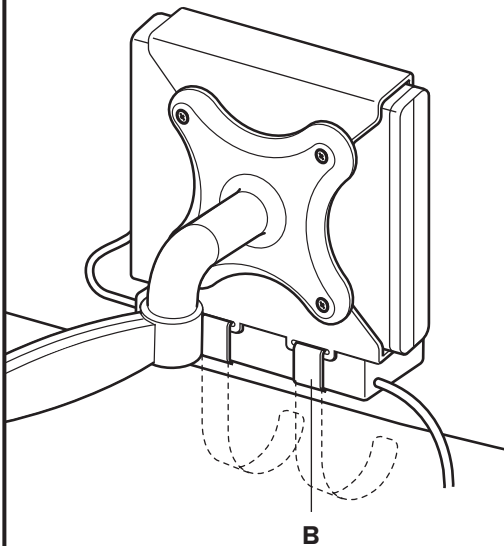
1C

SECURING DEVICE

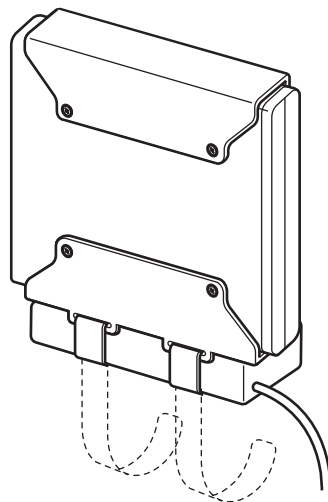


2

MONITOR ARM MOUNTING



DRYWALL MOUNTING



UNDER DESK MOUNTING

