

Model 101-2100

Full product specifications: www.humancentric.com/101-2100

Need help? Contact support: support@humancentric.com



WARNING



To reduce the risk of injury to persons, read all important precautions and warnings listed below. HumanCentric assumes no responsibility for personal injury or property damage sustained by or through the use of this product:

1. Read all instructions carefully.
2. Incorrect installation may lead to damages or serious injury. Ensure the product is secured before use.
3. Do not install on desks less than 3/4" thick.

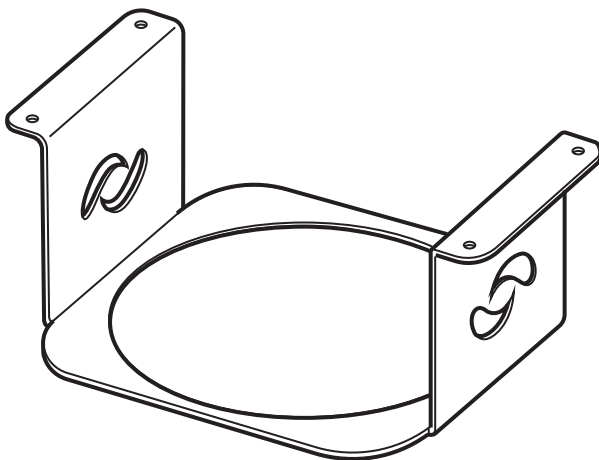
ADDITIONAL TOOLS REQUIRED

Phillips Screw Driver

Drill

1/8" Drill Bit

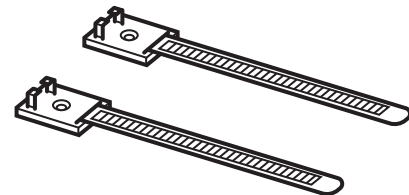
PARTS INCLUDED



A (x1)
Mounting Bracket



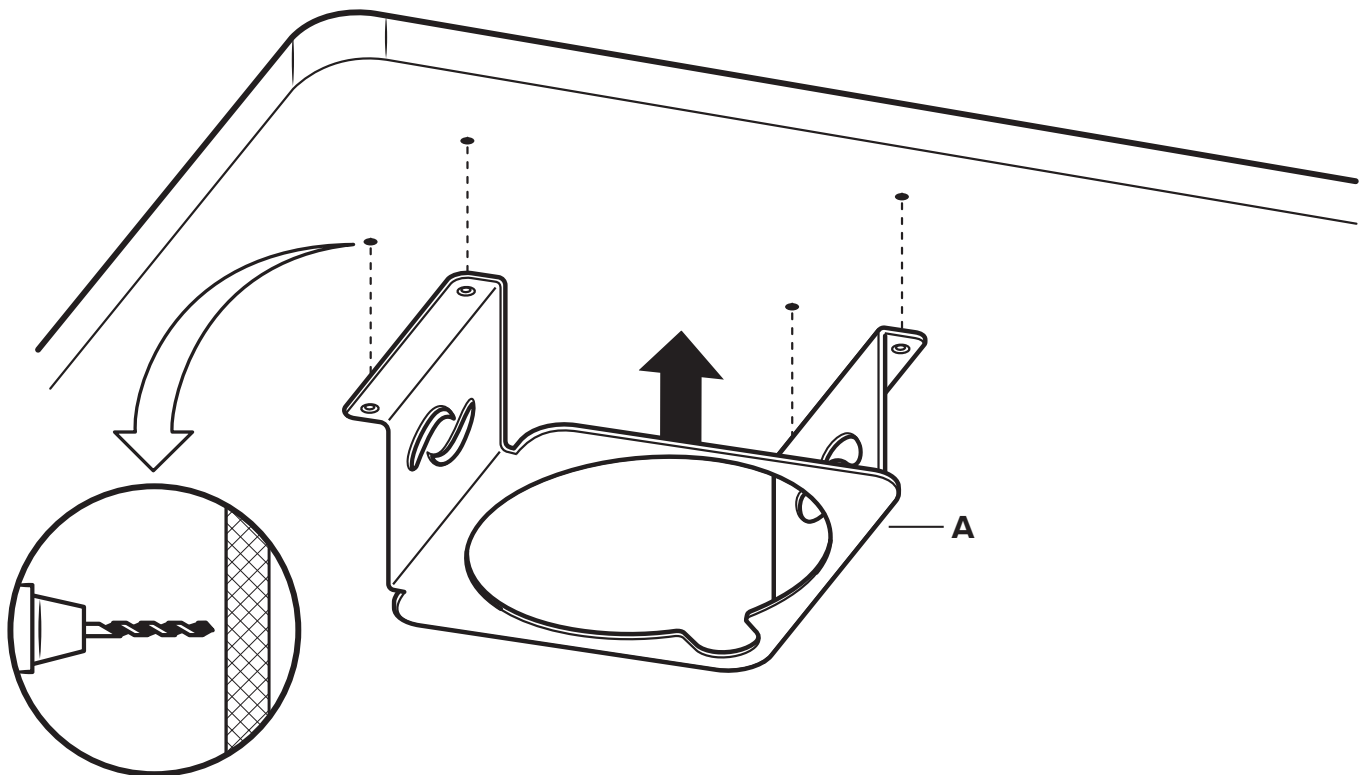
B (x4)
M4 x 19mm Wood Screw



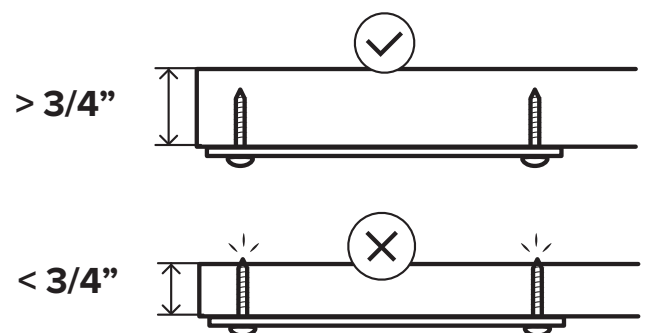
C(x2)
Cable Tie

Position bracket in desired location underneath the desk with the offset cutout towards the back. Using the bracket as a guide, mark and drill four holes using a 1/8" drill bit. Make sure to not drill all the way through the desktop.

Tip: Use a piece of tape on the drill bit 1/2" from the tip to ensure the correct drill depth.



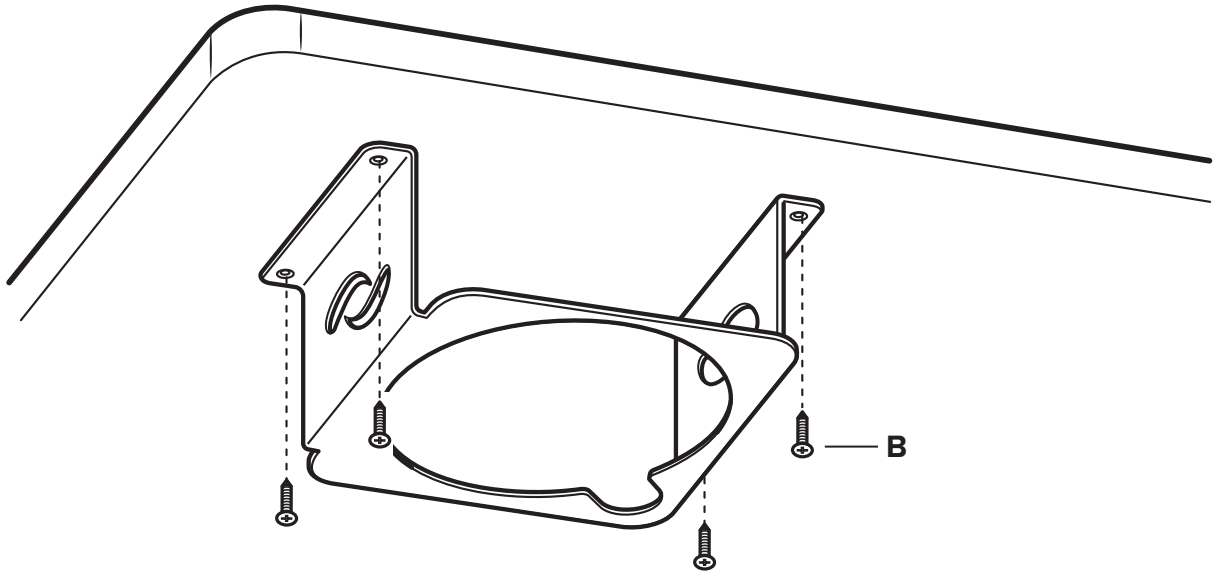
USE 1/8" DRILL BIT



Warning: Do not install on desks less than 3/4" thick

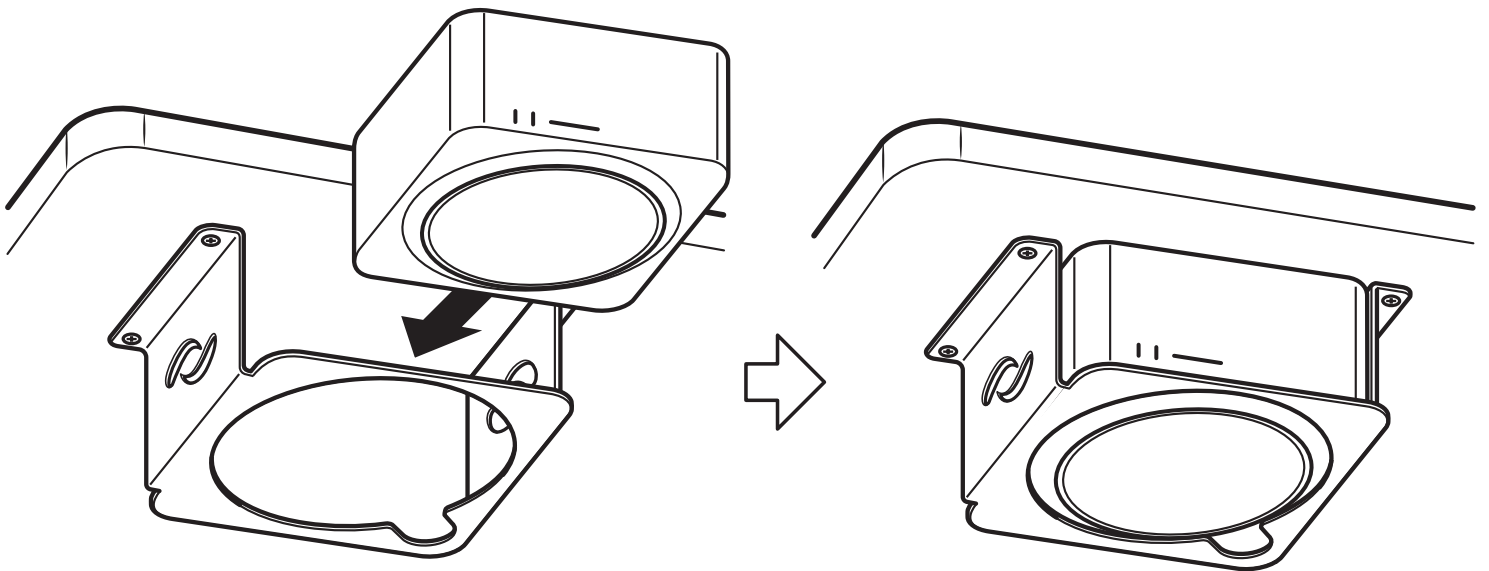
2

Screw the bracket into the bottom of the desk using the four M4x19mm wood screws (B).



3

Place the Mac Studio into the bracket from the front and rest it in the circular cutout.



Warning: Do not slide the Mac Studio against the bracket side walls during installation.