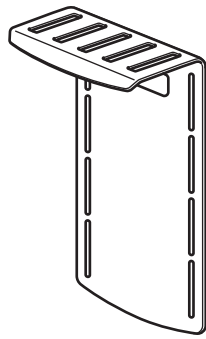
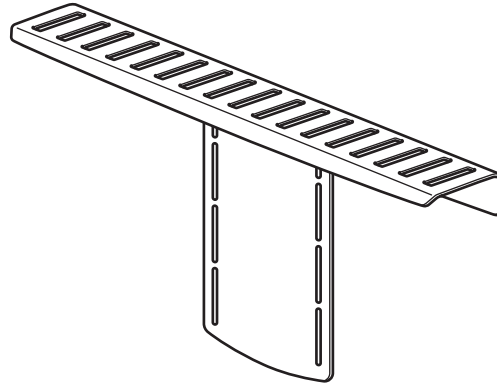


Model 101-2096 and 101-2097

Full product specifications: [www.humancentric.com/101-2096](http://www.humancentric.com/101-2096); [www.humancentric.com/101-2097](http://www.humancentric.com/101-2097)  
Need help? Contact support: [support@humancentric.com](mailto:support@humancentric.com)



101-2096



101-2097



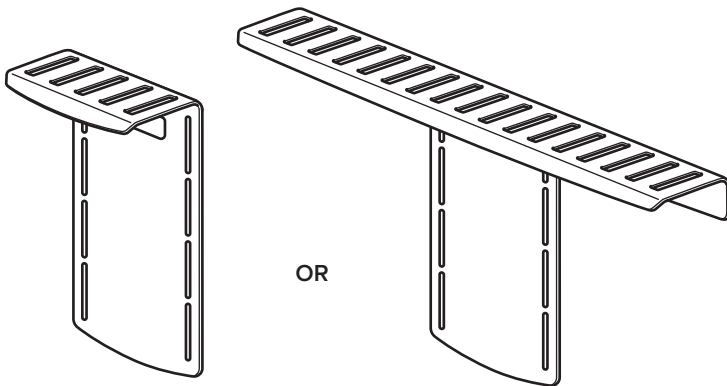
### WARNING



To reduce the risk of injury to persons, read all important precautions and warnings listed below. HumanCentric assumes no responsibility for personal injury or property damage sustained by or through the use of this product:

1. Do not exceed weight capacity of the monitor arm or stand this product is used with.
2. Ensure the monitor and shelf bracket are securely mounted to the monitor arm before use.

### PARTS INCLUDED



(A) Shelf Bracket (x1)



(B) M4 Screw, 30mm L (x4)



(C) M4 Spacer, 16mm L (x4)



(D) M4 Washer, 3mm Thick (x4)



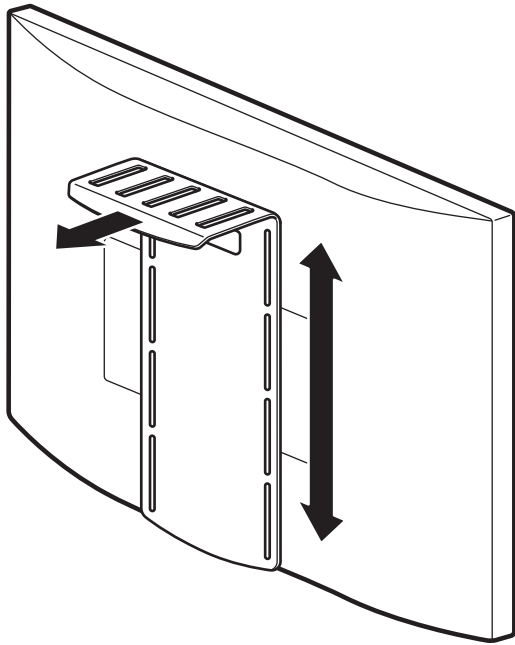
(E) 1/4 20 Screw, 0.25L (x4)

### ADDITIONAL TOOLS REQUIRED

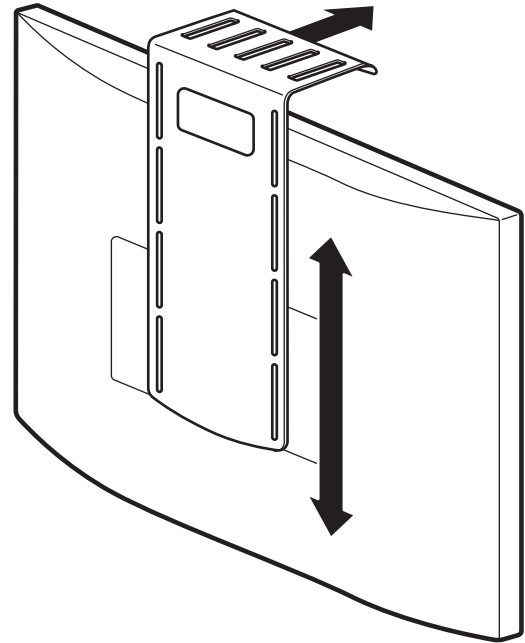
Phillips Head Screwdriver

1.

Choose desired shelf orientation and height for your setup.



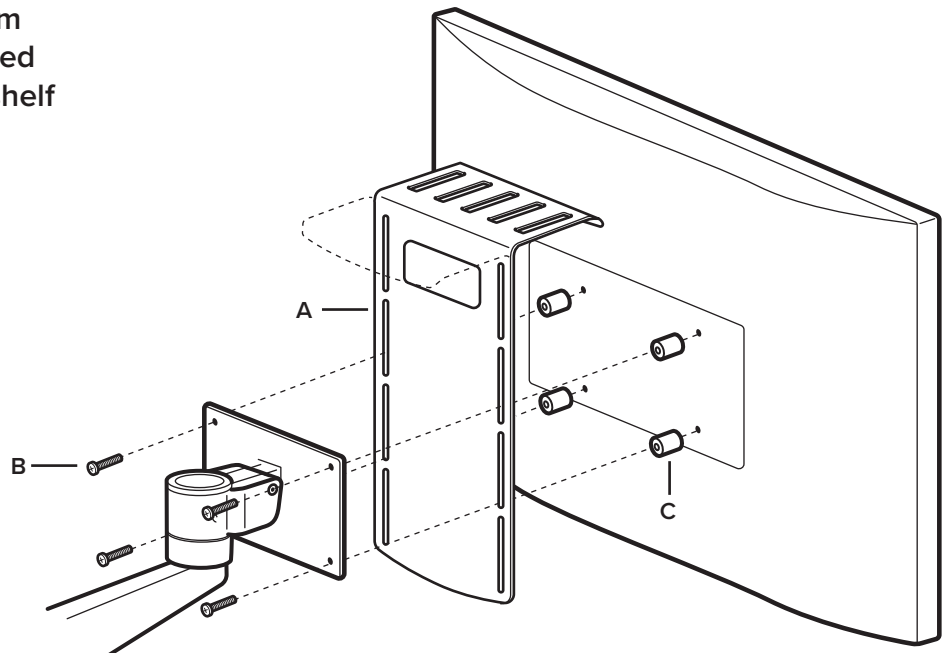
SHELF BACK ORIENTATION



SHELF FORWARD ORIENTATION

2.

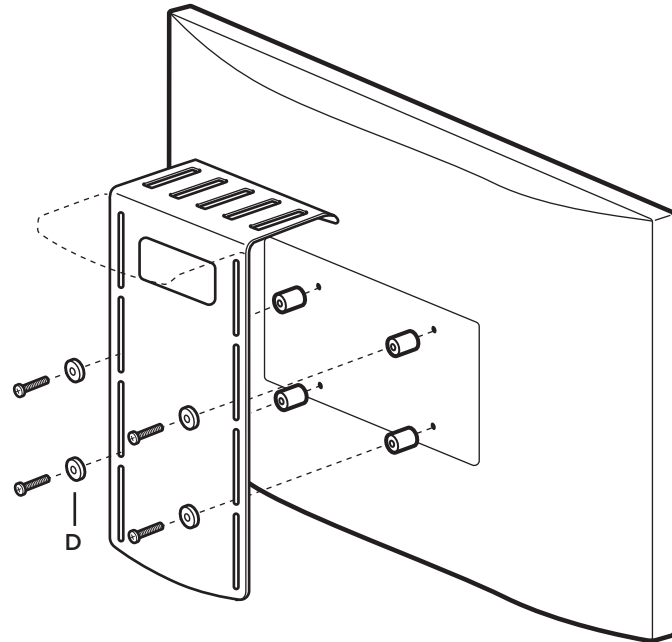
Using the four screws (B) and four spacers (C), secure your monitor and shelf bracket onto the monitor arm making sure the spacers are placed in-between the monitor and the shelf bracket.



WITH MONITOR ARM

## 2. CONTINUED

The shelf can also be used without a monitor arm depending on the particular design of the monitor. In this case, the washers (D) are required.

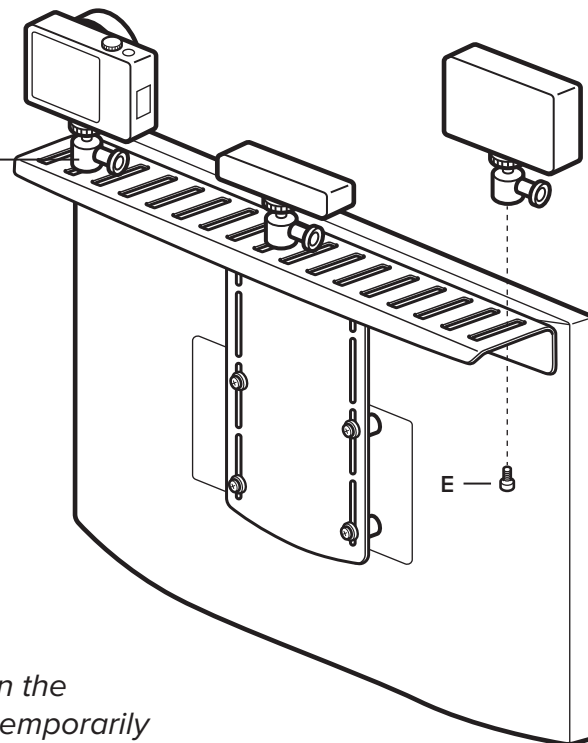


WITHOUT MONITOR ARM

## 3.

Mount your accessories (not included) to the shelf using the included  $\frac{1}{4}$ "-20 screws (E).

*Tip: Tripod heads are ideal for mounting accessories (not included).*



**Note:** If the shelf is in the forward position, loosen the mounting screws (B) and slide the shelf upward temporarily to give more space for securing accessories.

4.

Route cables through the center slot for a clean look.

