

Model 101-2092

Full product specifications: www.humancentric.com/101-2092

Need help? Contact support: support@humancentric.com



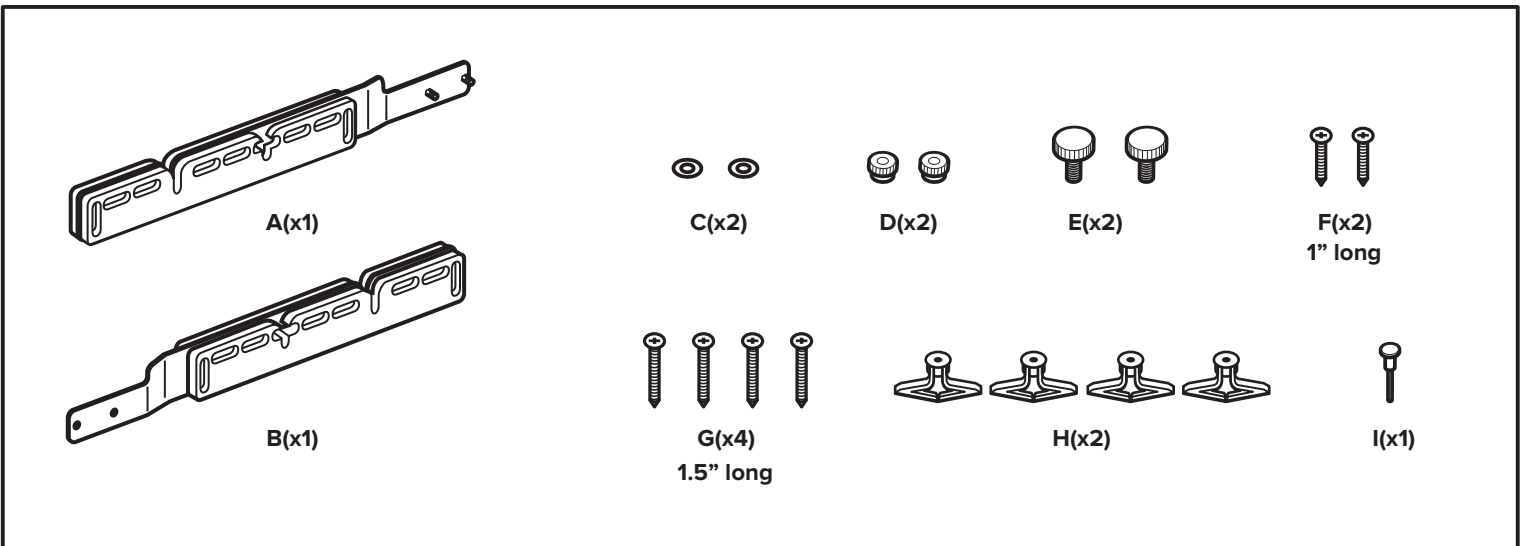
WARNING



To reduce the risk of injury to persons, read all important precautions and warnings listed below. HumanCentric assumes no responsibility for personal injury or property damage sustained by or through the use of this product:

1. Read all instructions carefully.
2. Incorrect installation may lead to damage or serious injury. Ensure the product is secured before use.
3. When mounting it on the wall, ensure it can support the combined weight of the bracket and the mounted device.

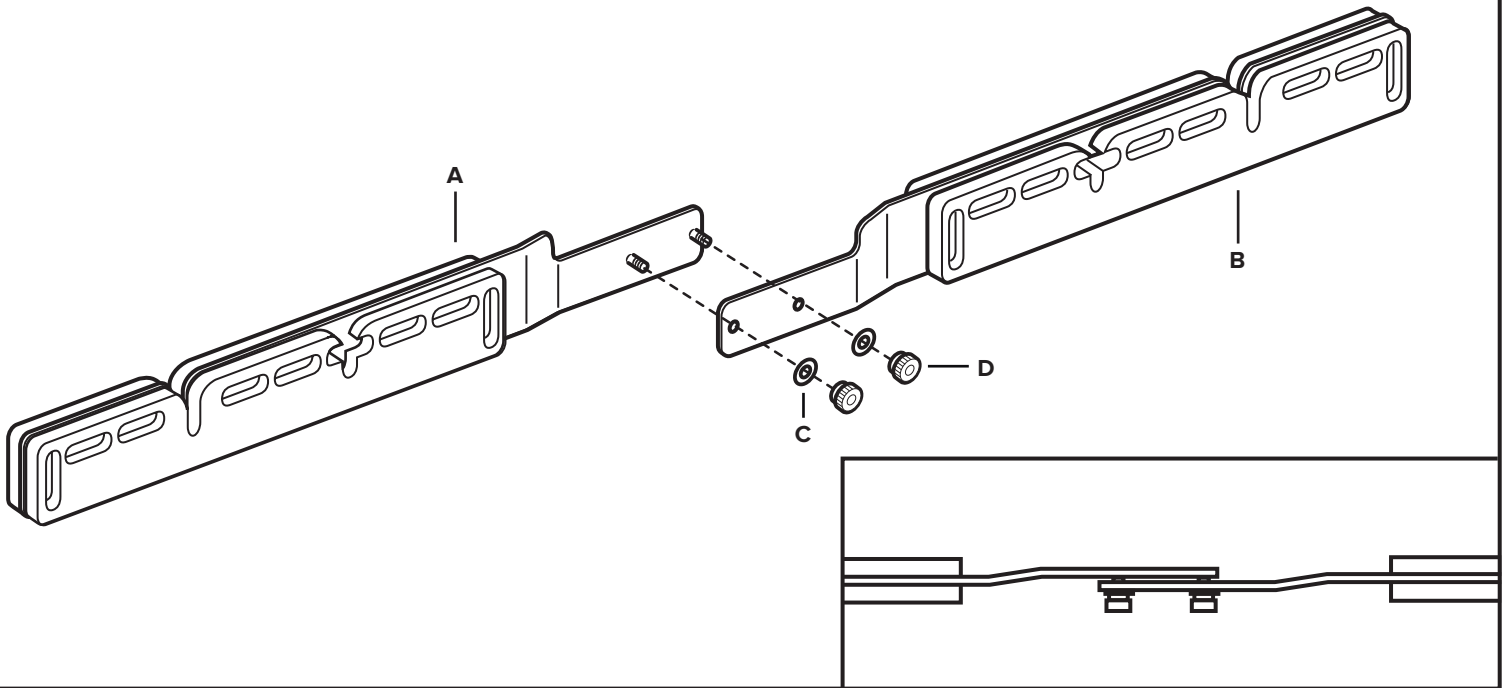
PARTS INCLUDED



TOOLS NEEDED FOR INSTALLATION

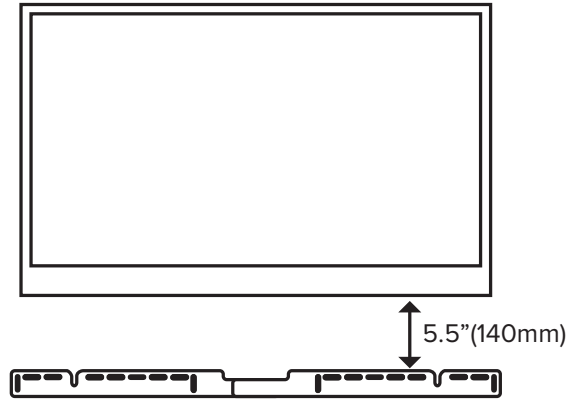
Pencil
Levels
Phillips Head Screwdriver

1.



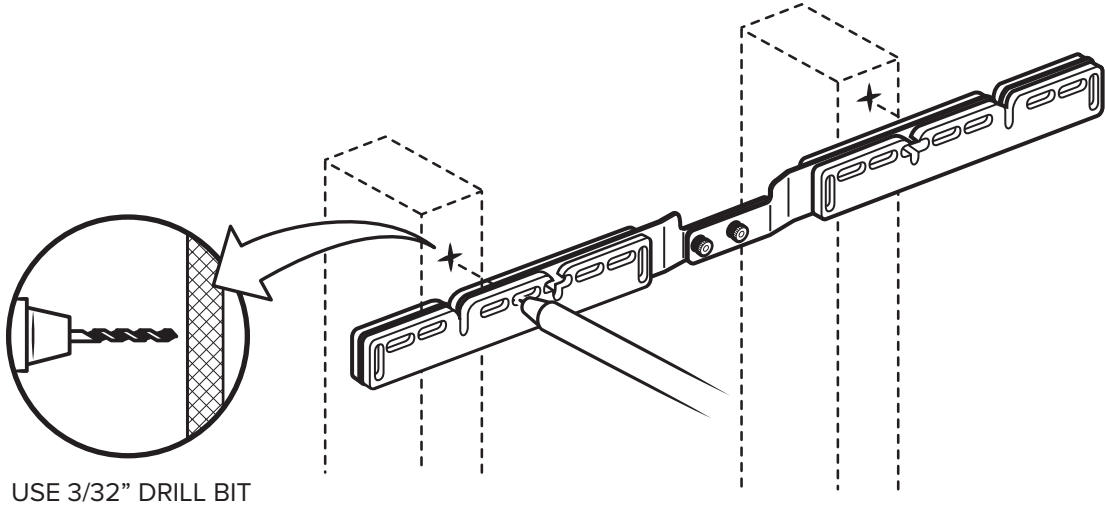
2.

IMPORTANT NOTE: If your TV is wall mounted, there should be 5.5" (140 mm) between the top of the wall mount bracket and the bottom of the TV.

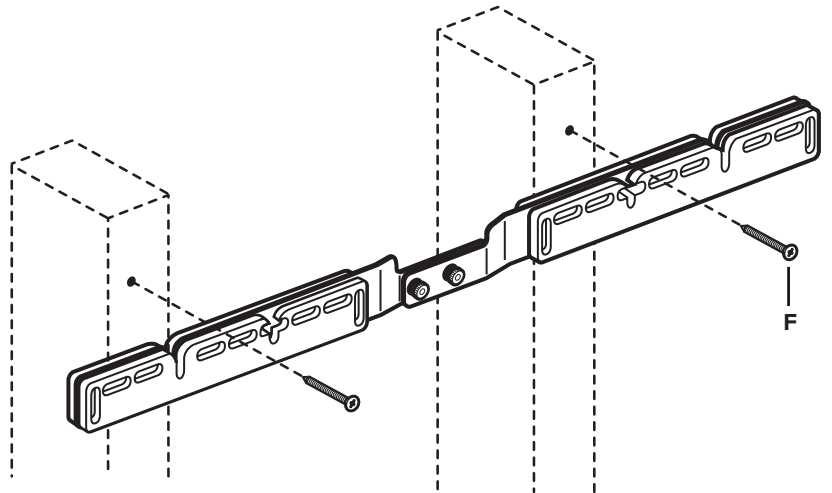


2.

STUD/SOLID WALL MOUNT



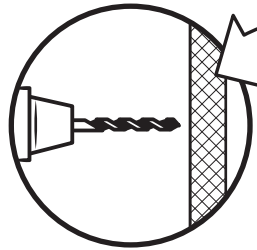
USE 3/32" DRILL BIT



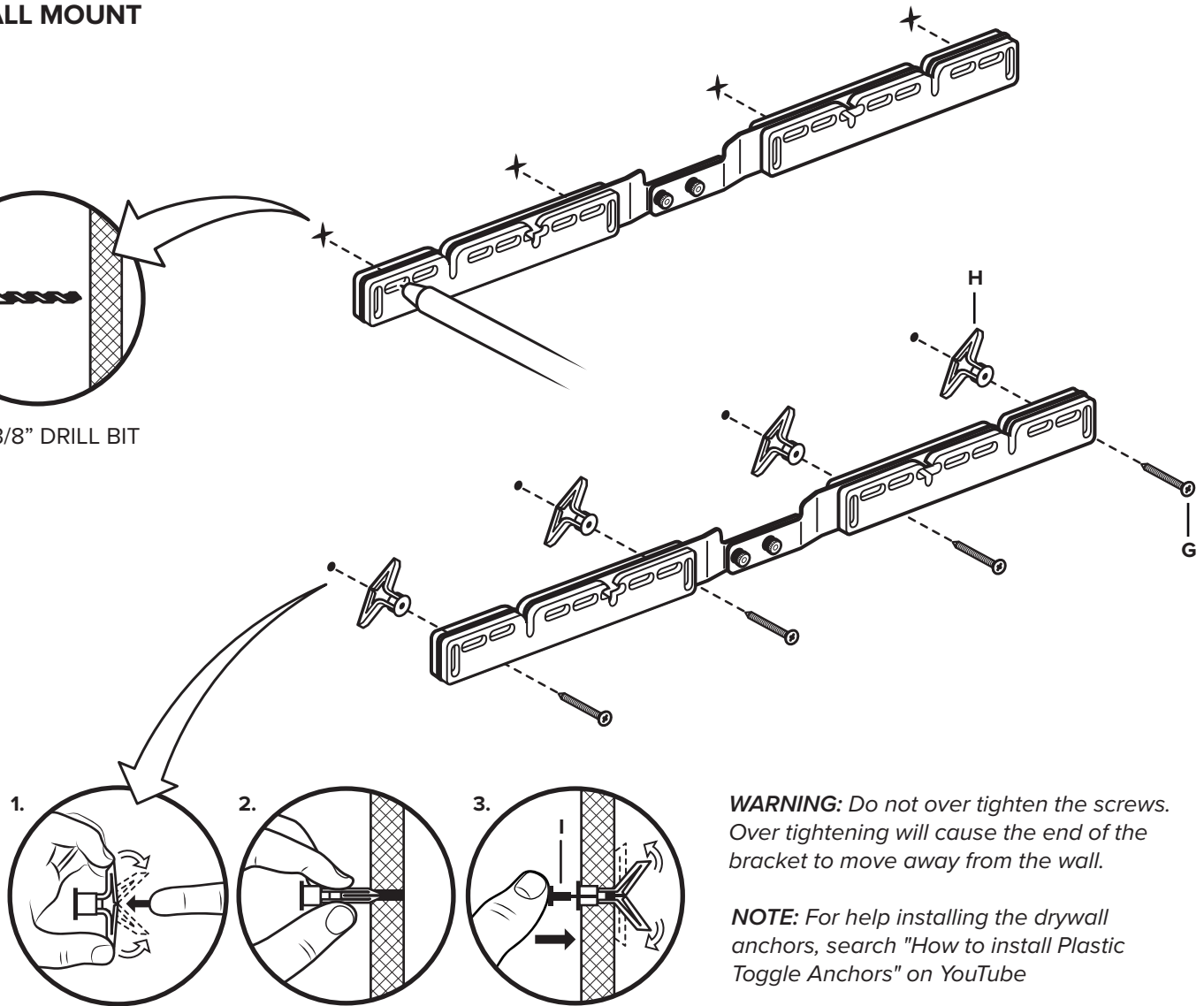
WARNING: Do not over tighten the screws. Over tightening will cause the end of the bracket to move away from the wall.

2.

DRYWALL MOUNT



USE 3/8" DRILL BIT



WARNING: Do not over tighten the screws. Over tightening will cause the end of the bracket to move away from the wall.

NOTE: For help installing the drywall anchors, search "How to install Plastic Toggle Anchors" on YouTube

3.

