

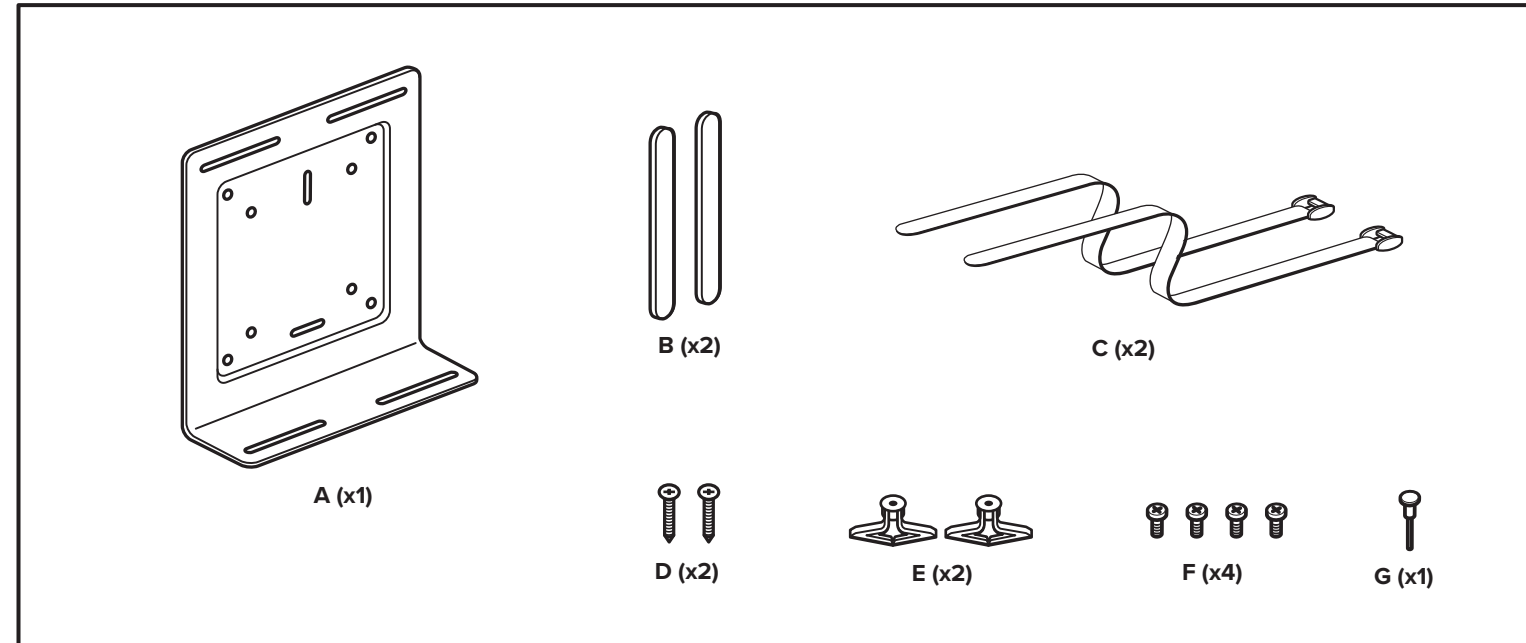
# HUMANCENTRIC<sup>®</sup>

## Universal SFF Mount

Model 101-2088

[www.humancentric.com/patents](http://www.humancentric.com/patents)

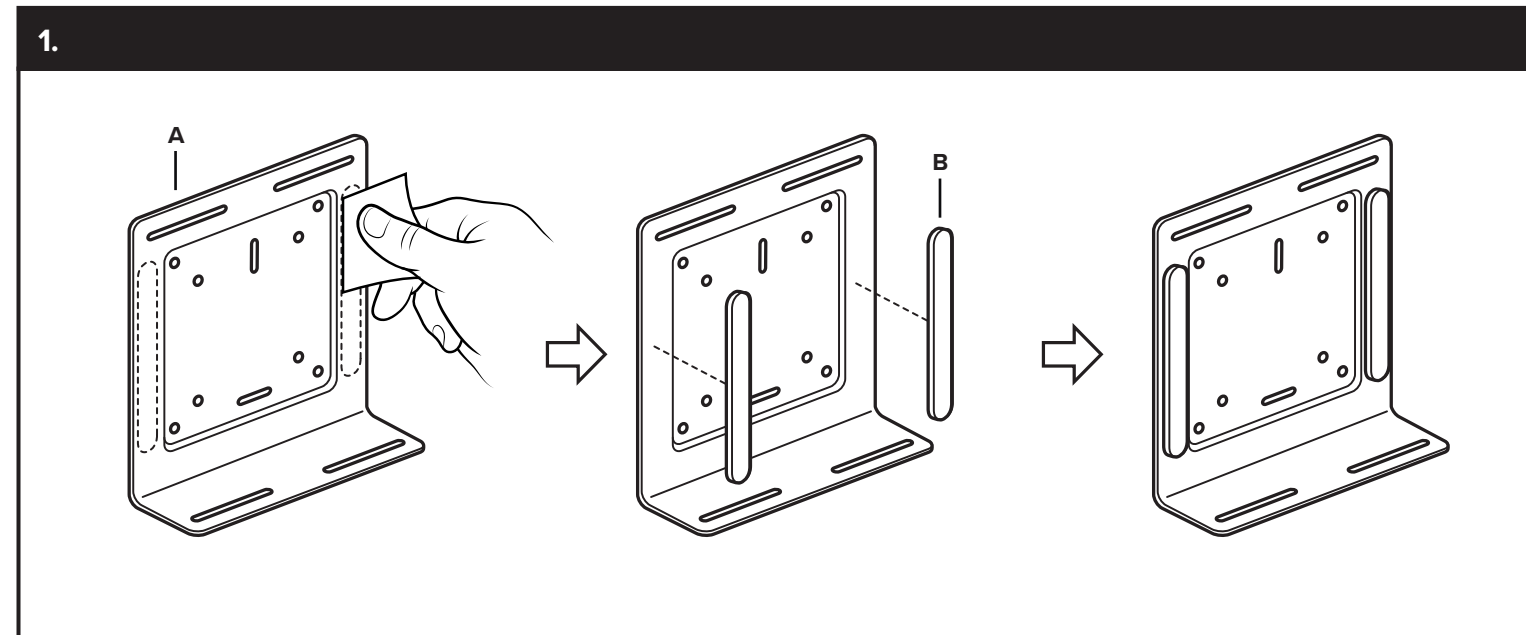
### PARTS INCLUDED



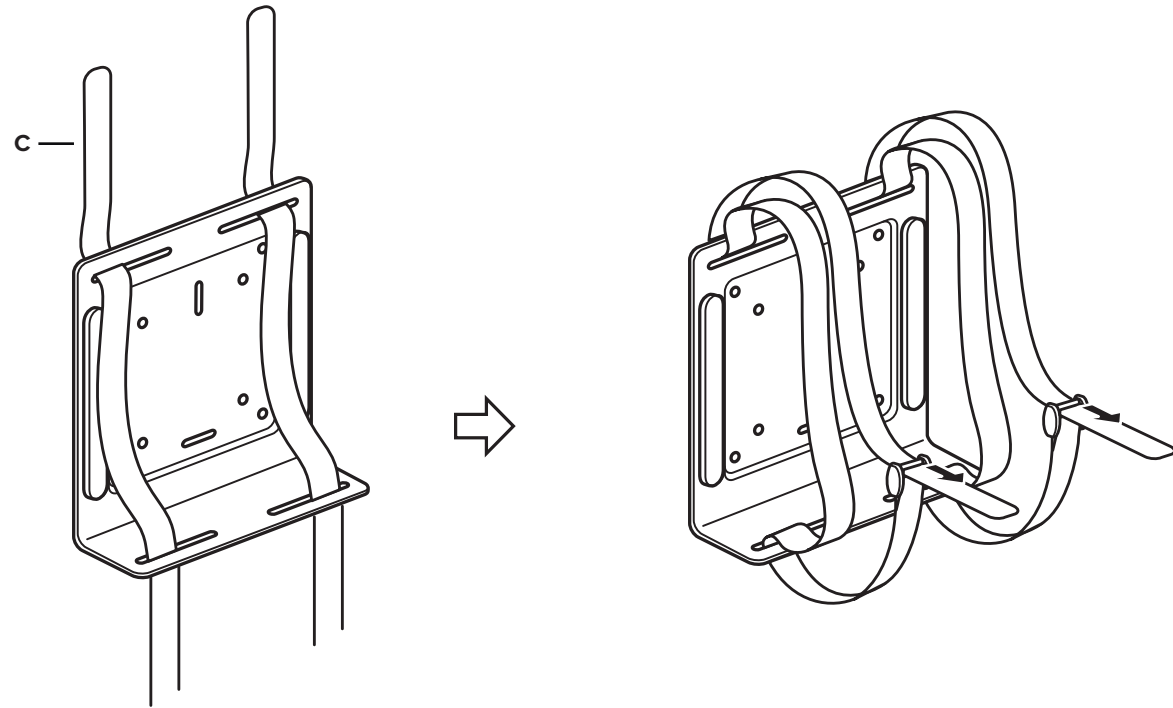
### TOOLS NEEDED FOR INSTALLATION

Pencil  
Phillips Head Screwdriver

Fits Devices of MAX perimeter 19"

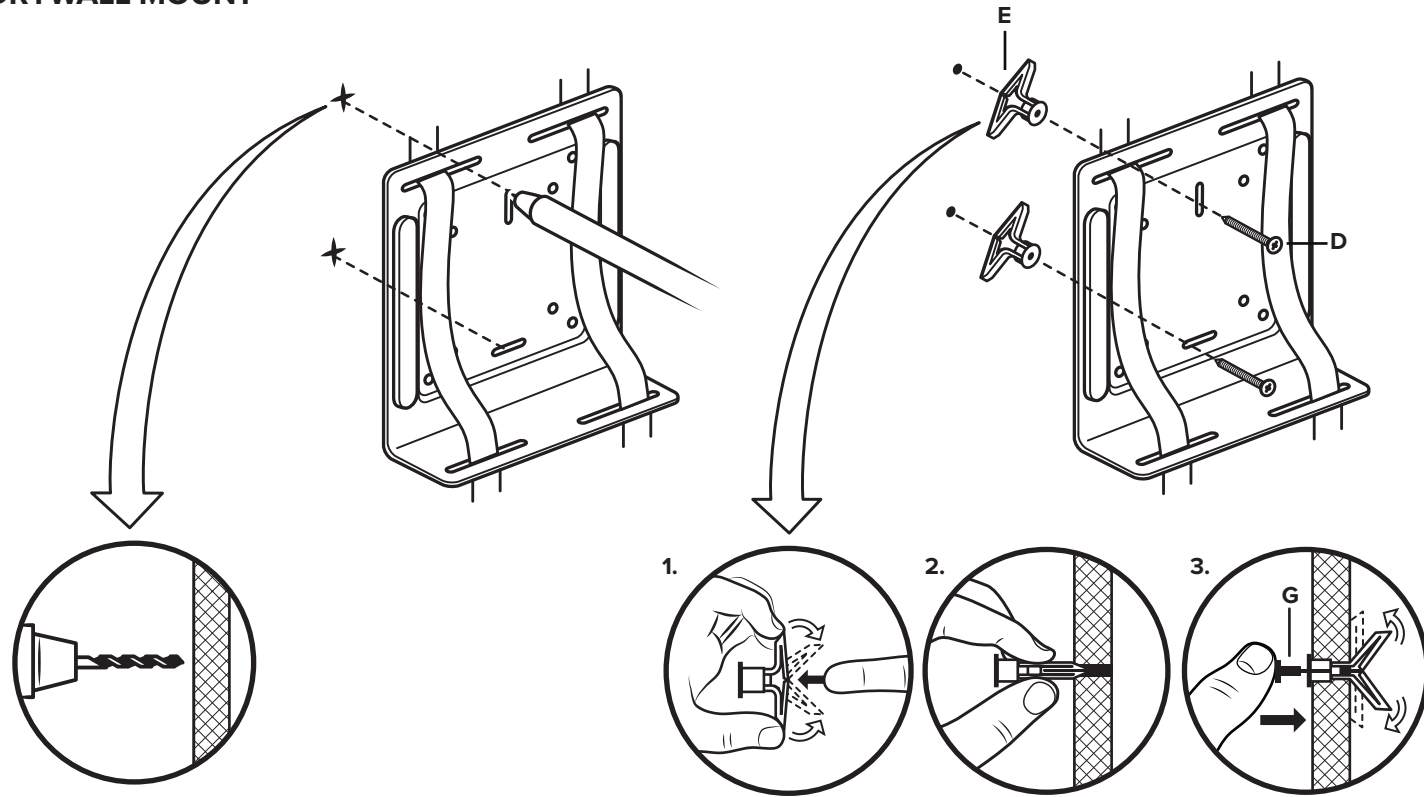


2.



3.

**DRYWALL MOUNT**

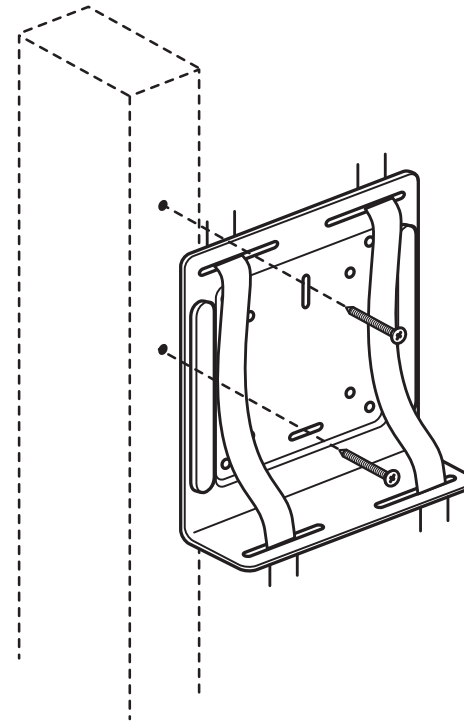


USE 3/8" DRILL BIT

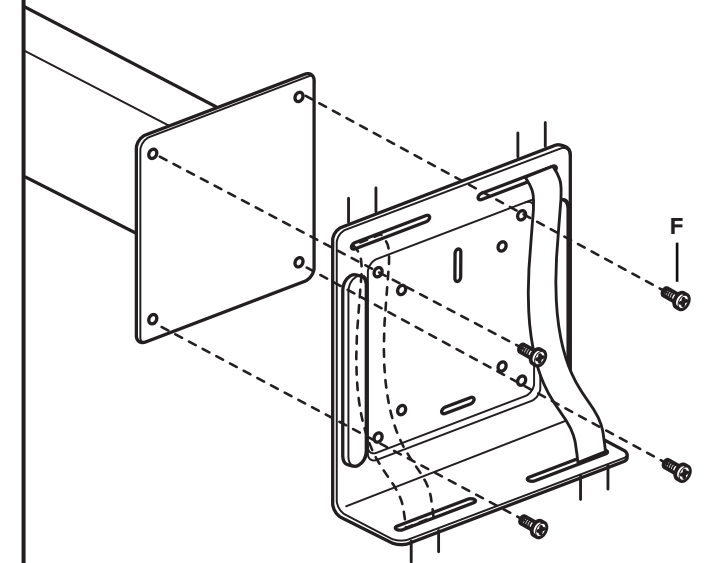
*Note: For help installing the drywall anchors, search "How to install Plastic Toggle Anchors" on YouTube*

3.

**STUD/SOLID WALL MOUNT**



**VESA MOUNT**



4.

