

Model 101-2082

Full product specifications: www.humancentric.com/101-2082

Need help? Contact support: support@humancentric.com



WARNING



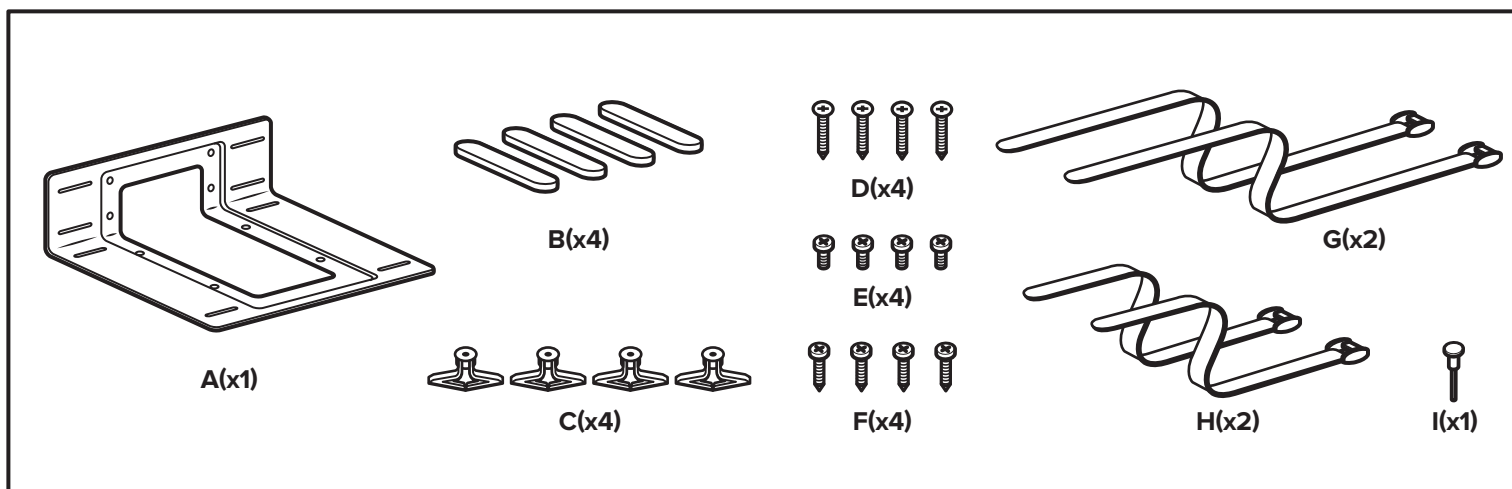
To reduce the risk of injury to persons, read all important precautions and warnings listed below. HumanCentric assumes no responsibility for personal injury or property damage sustained by or through the use of this product:

1. Read all instructions carefully.
2. Incorrect installation may lead to damage or serious injury. Ensure the product is secured before use.
3. Make sure the place that this product will be mounted to, either on a wall or under a desk, can support the combined weight of the computer, and adapter.

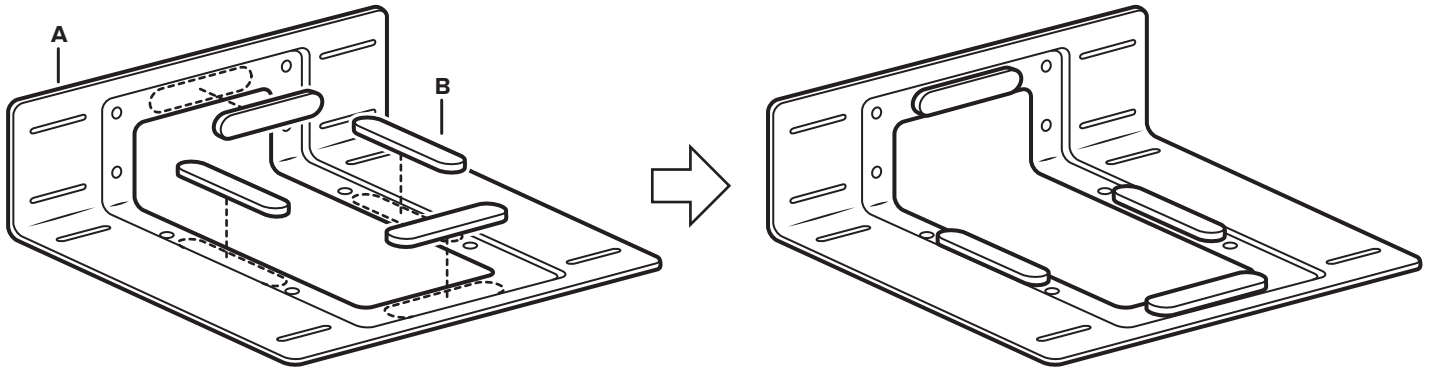
Fits Devices:

- Width: 1.75" - 8" (**Except** devices 4.5" - 5.9" wide)
- Perimeter: 24" - 48"

PARTS INCLUDED



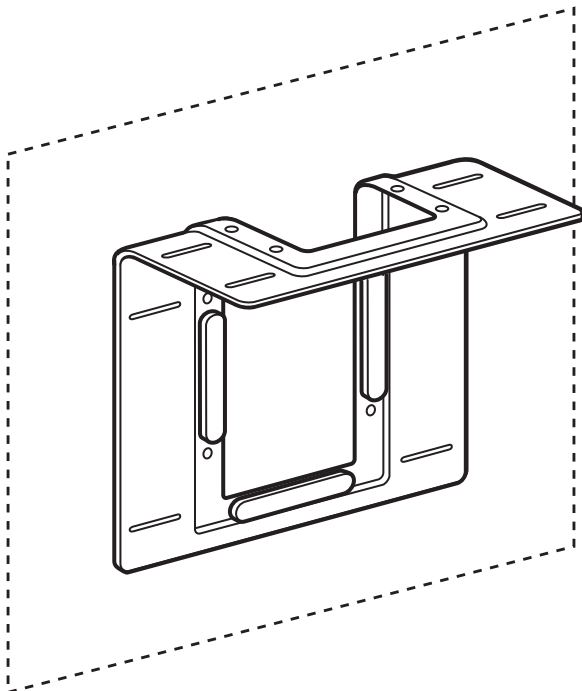
1. INSTALL RUBBER BUMPERS



2. CHOOSE MOUNTING OPTION

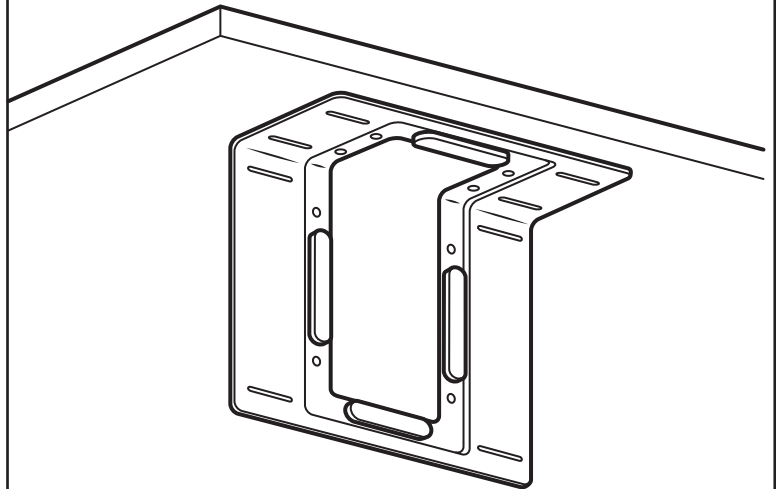
WALL MOUNT

FOR TOWERS > 1.75" WIDE

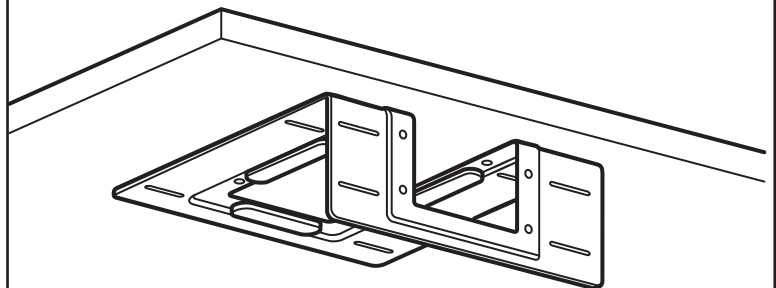


UNDER DESK MOUNT

FOR TOWERS 1.75" - 4.5" WIDE



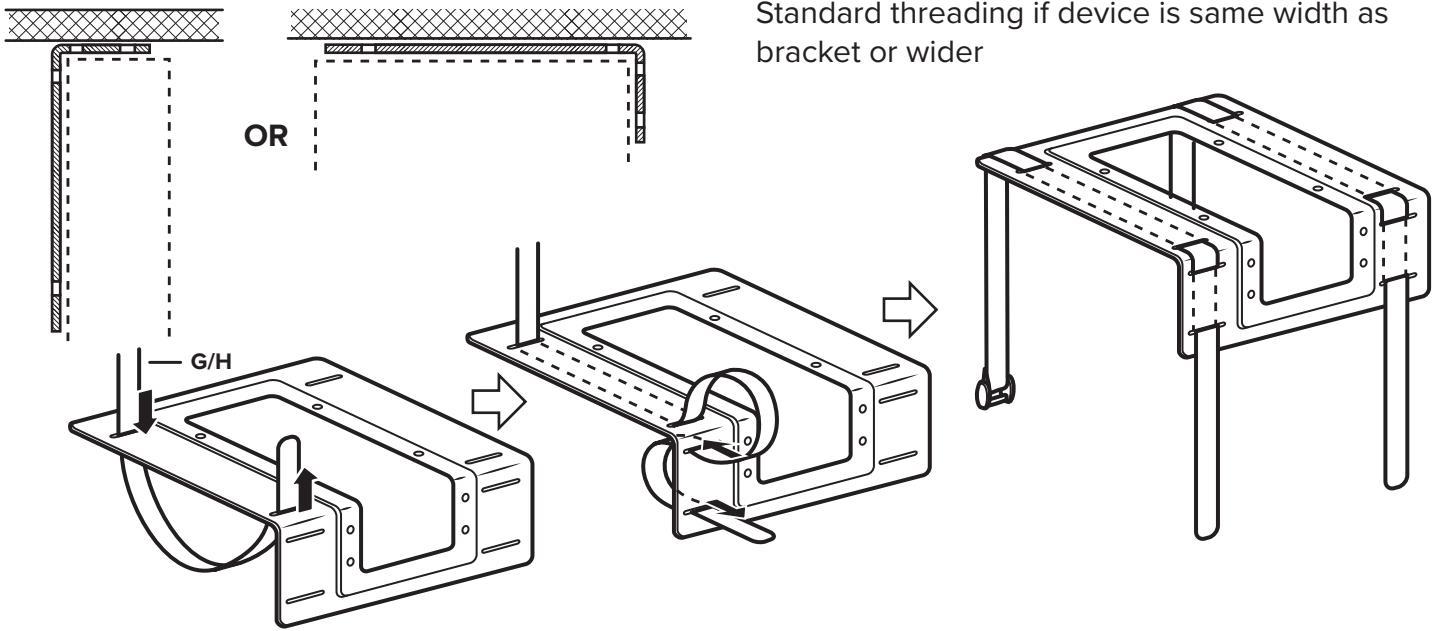
FOR TOWERS 6" - 8" WIDE



3. THREAD STRAPS

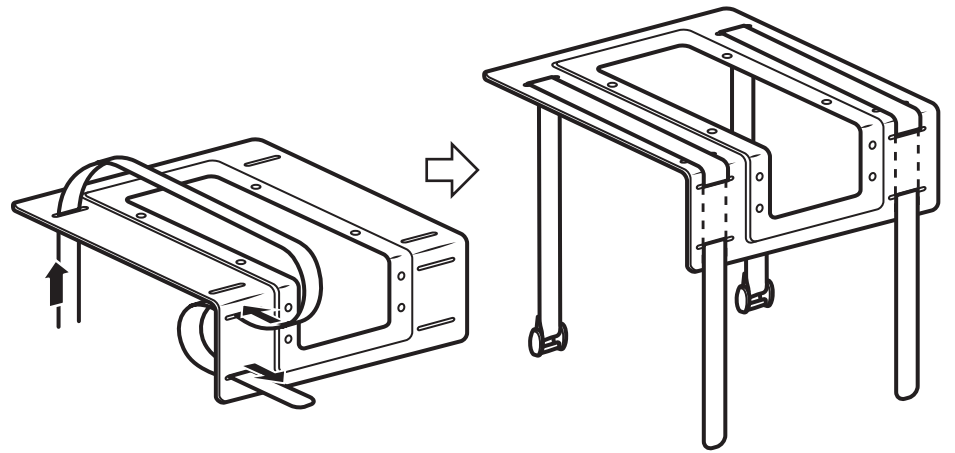
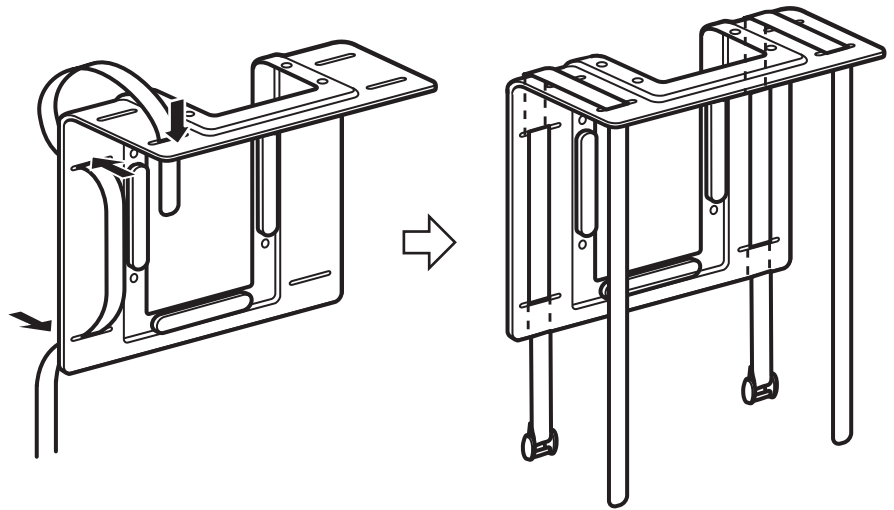
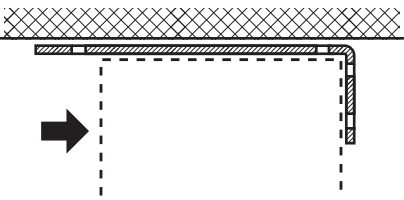
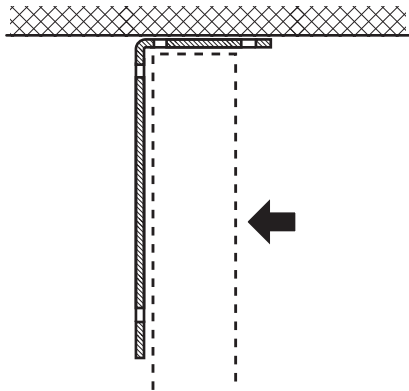
Fit the bracket and the straps(select small or large straps) to your device before mounting to test the fit.

STANDARD THREADING



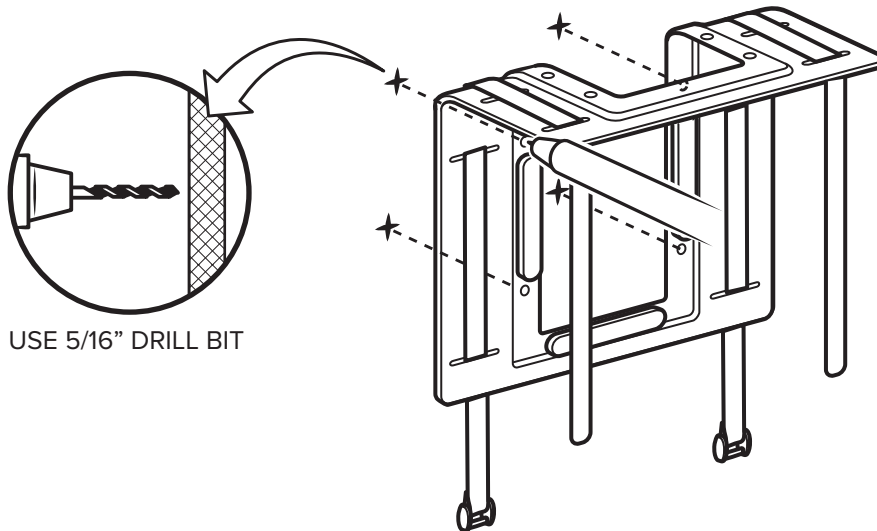
3. THREAD STRAPS

Alternate threading if device is narrower than bracket



4. DEVICE MOUNTING

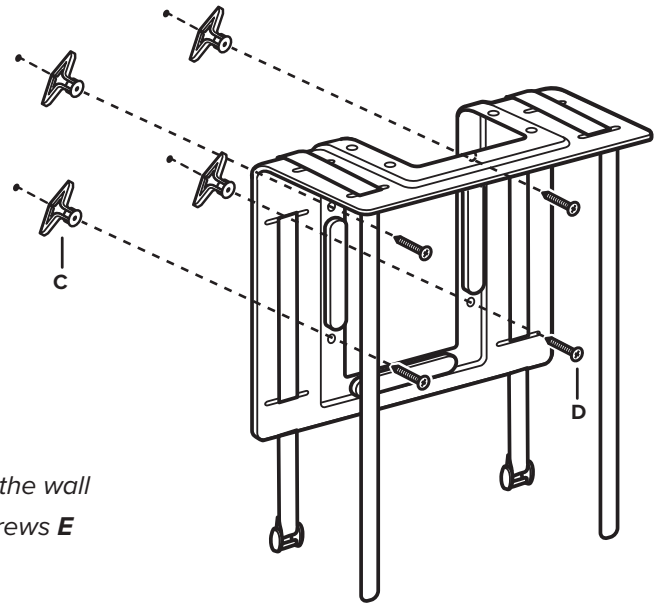
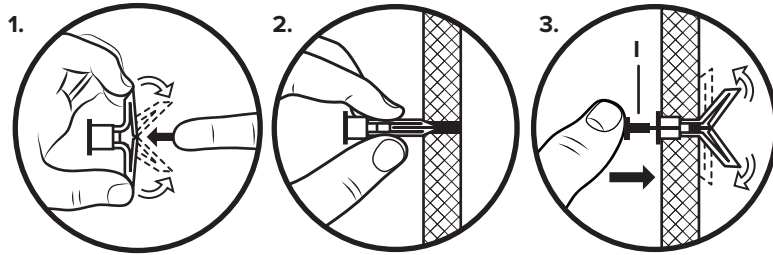
4A. DRYWALL MOUNT



4. DEVICE MOUNTING

4A. DRYWALL MOUNT

Note: For help installing the drywall anchors, search "How to install Plastic Toggle Anchors" on YouTube



Pro Tip: For best results, place the D ring between the device and the wall

Note: Follow this procedure for VESA mounting using the VESA screws E or wood mounting with wood screws F

4B. UNDER THE DESK

