

Model 101-2078

Full product specifications: www.humancentric.com/101-2078

Need help? Contact support: support@humancentric.com



WARNING



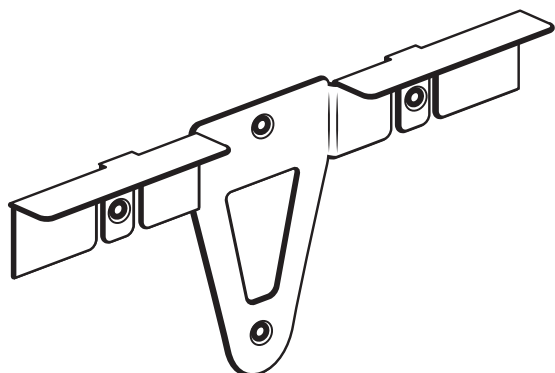
To reduce the risk of injury to persons, read all important precautions and warnings listed below. HumanCentric assumes no responsibility for personal injury or property damage sustained by or through the use of this product:

1. Read all instructions carefully.
2. Incorrect installation may lead to damage or serious injury. Ensure the product is secured before use.
3. When mounting this product on a wall, make sure it can support the combined weight of the device and adapter.

TOOLS NEEDED FOR INSTALLATION

Phillips head screwdriver
17/64 inch diameter drill bit
Power drill
Hammer

PARTS INCLUDED



A (x1)



B(x4)



C(x4)

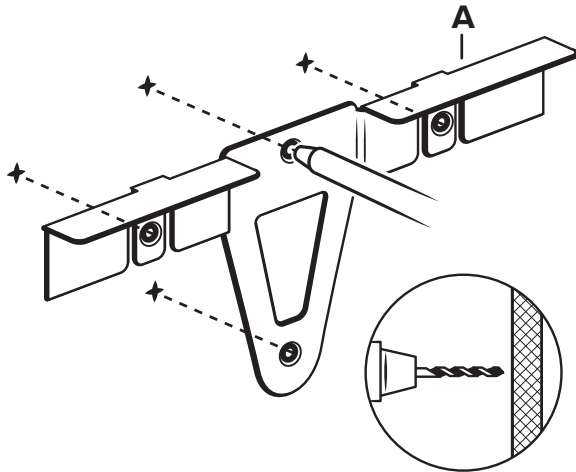


D(x2)

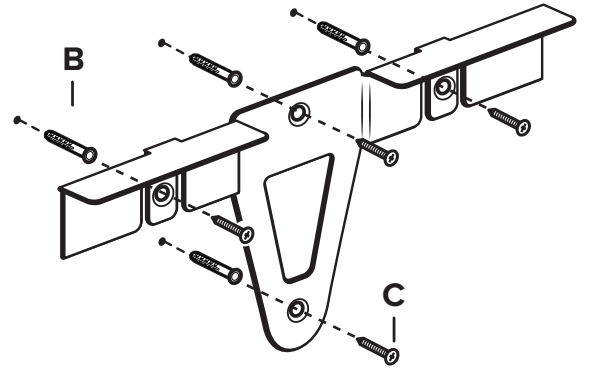


E(x2)

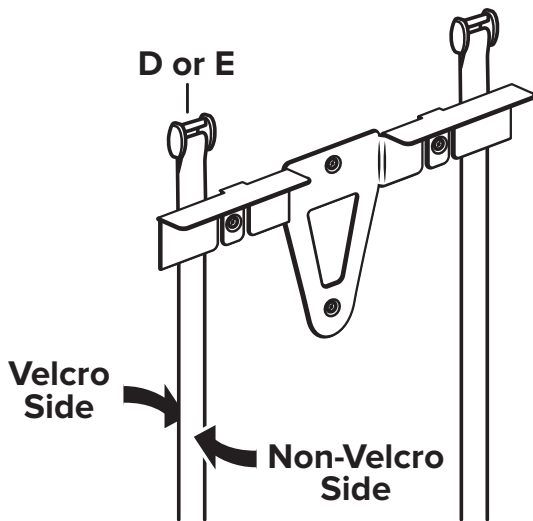
1. MOUNT ON DRYWALL



USE 17/64" DRILL BIT



2. SELECT AND INSERT STRAPS



3. MOUNT DEVICE

