

Model 101-2074

Full product specifications: [www.humancentric.com/101-2074](http://www.humancentric.com/101-2074)

Need help? Contact support: [support@humancentric.com](mailto:support@humancentric.com)



### WARNING



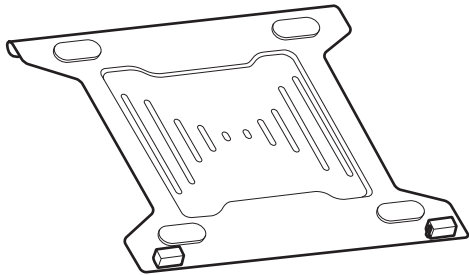
To reduce the risk of injury to persons, read all important precautions and warnings listed below. HumanCentric assumes no responsibility for personal injury or property damage sustained by or through the use of this product:

1. Read all instructions carefully.
2. Incorrect installation may lead to damage or serious injury. Ensure the product is secured before use.
3. If using a VESA stand or VESA arm, ensure it can support the combined weight of the bracket, monitor, and any mounted devices.

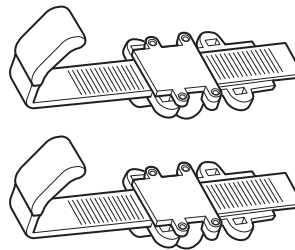
### SUPPORTED DIMENSIONS

Fits 10" - 15.6"

### PARTS INCLUDED



A (x1)



B (x2)

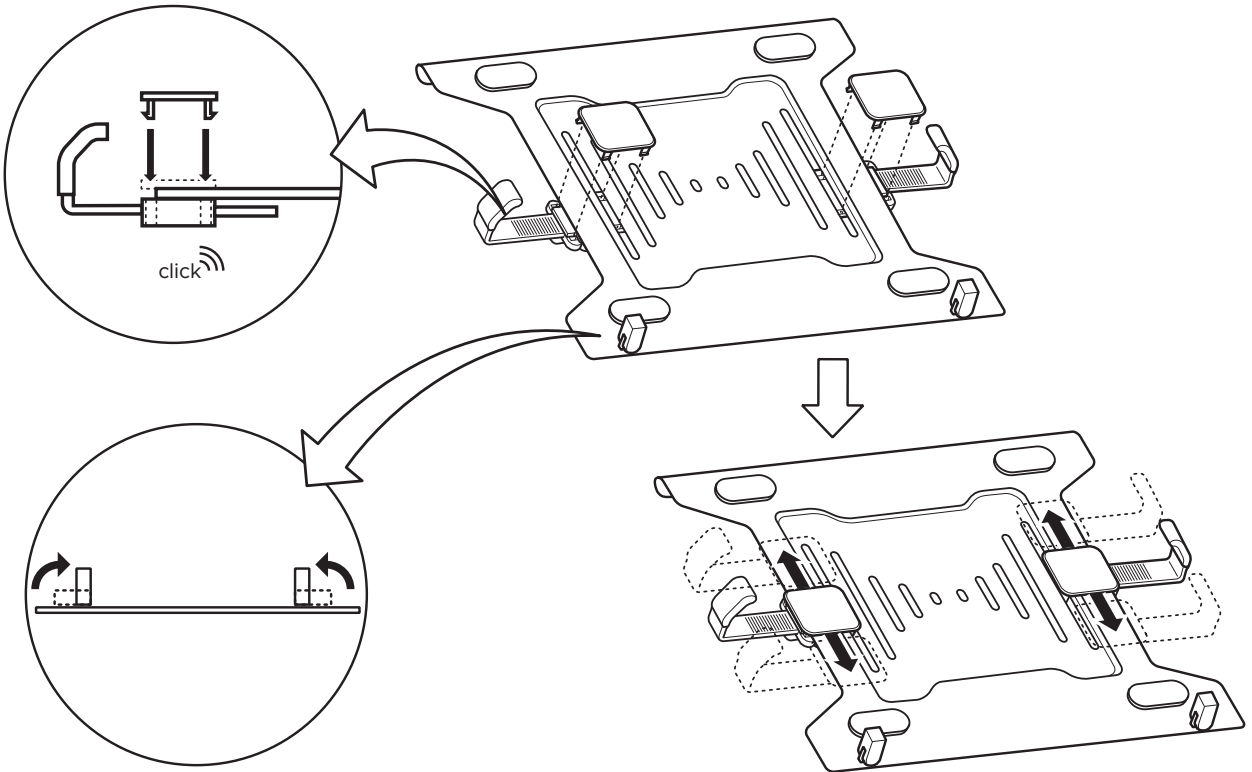


C (x2)

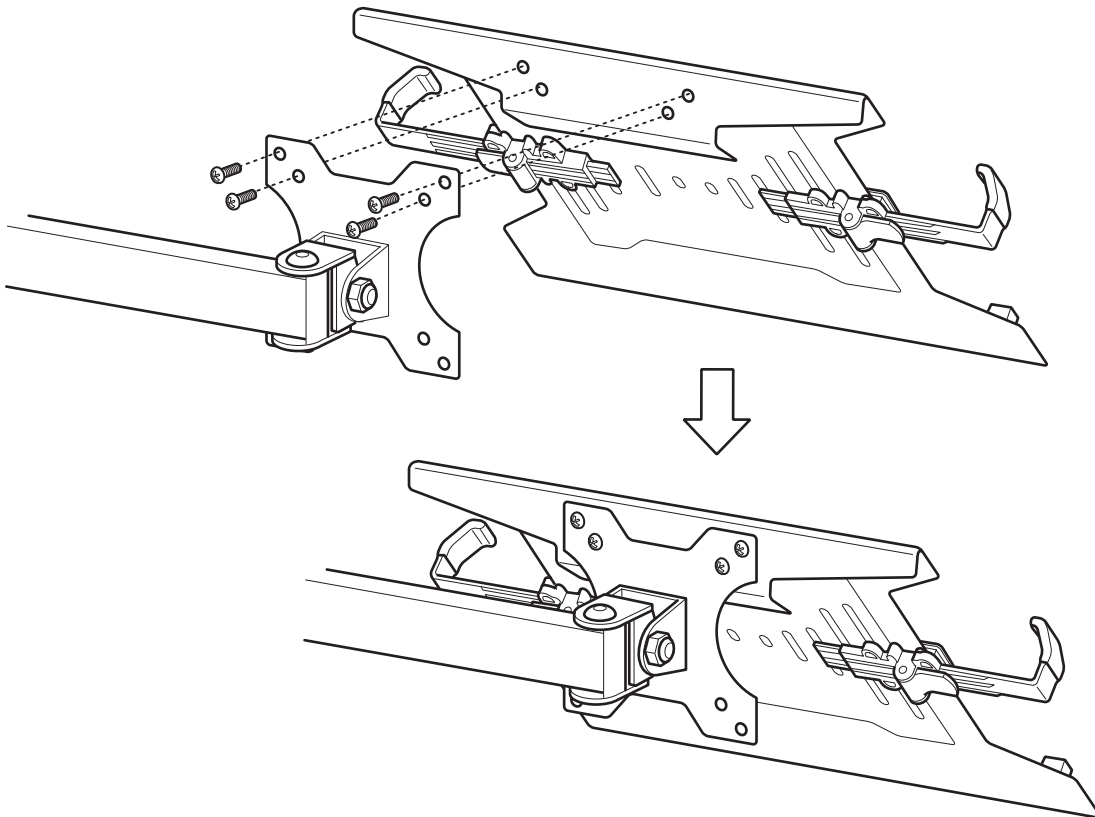


D (x4)

1.



2.



3.

